



READING TIP

**when browsing through
this catalogue it is easier
using two-up view**

(viewing the left & right side next to each other)!

**FOR BEST RESULTS
DO NOT
PRINT THIS PAGE!**

**This page will interfere with the
correct page order when printing
recto-verso.**

The illustrations and photo's in our catalogues and on our website are protected.
It is illegal to copy these in any way or by any means.
You are permitted to print the pages for personal use only.

JAGUAR XJ - DAIMLER

XJ6 & XJ12 • 1968-'91 - Sovereign & Double-six • 1969-'92

PARTS & ACCESSORIES CATALOGUE



First Edition • 190.780

Quality Parts & Service



JAGUAR XJ - DAIMLER

XJ6 & XJ12 • 1968-'91 - Sovereign & Double-six • 1969-'92

PARTS & ACCESSORIES CATALOGUE

fill your customer number
in for easy ordering

--	--	--	--	--	--	--	--

www.angloparts.com

please visit our website for all contact information

Anglo Parts Shops

**MAIN BRANCH BELGIUM
HOLLAND • ITALY • GERMANY**

Authorized Anglo Parts Dealers

FRANCE • HOLLAND • SPAIN

SWEDEN • FINLAND

CZECH REPUBLIC • SLOVAKIA

LUXEMBOURG • POLAND • HUNGARY



All Rights reserved. No part of this publication may be reproduced or absorbed in any catalogue or information system by any means, Mechanical, photographic, electronic or otherwise, without prior express written consent of Anglo-Parts n.v.



Belangrijke informatie NL - blz 89 • Informations importantes F - page 90
 Wichtige Auskünfte/Allgemeine Verkaufs- und Lieferbedingungen D - Seite 92-93
 Informazione importante I - Pagina 91 • Viktig information SE - Sida 94
 información importante ES - página 95 • Důležitá informace CZ - Stránka 96

IMPORTANT POINTS

The general policies of our business are printed on the reverse side of our invoices and are on our web site. Updates are printed in the most recent catalogues and price lists and are updated on the web site. When you order goods from us you agree with our policies and accept them. You are always free to ask for an updated publication. The most recent will succeed all previous. Please read below, the most important points.

OUR SALESMEN

We are not trained automotive technicians and can not be held responsible for errors we say or write, we are enthusiasts who like to help. For technical information, we recommend you use the books listed in this catalogue.

OUR CATALOGUES/WEBSITE

We have made every effort to make sure that the information in our catalogues and on our web site is correct. We can not be held liable or responsible if any mistake or inaccuracy exists in specification, pricing or part number. We have the right to correct any error. The illustrations and photo's in our catalogues and on our web site are only representations, products supplied may vary from illustrations and photo's, but will function the same way with similar quality.

OUR PART NUMBERS & PRICES

All parts (or sets of parts) have our own part number and refer to one item only. THE QUANTITY REQUIRED ("QTY") stands for the quantity used for particular application. The quantity you order can be different and should be marked when you order. Parts not available new, might be available in second hand condition. These second hand parts are not always listed on the web site or in our price lists. Information will be sent to you on request. Prices shown on the web site and in the price lists are for one item and information only and are subject to change without prior notice. Prices on the web site can be seen with or without VAT depending on your choice. Price lists supplied with the catalogues can exclude or include local VAT, this is indicated on each price list. Part numbers are made from six figures. The first three figures will indicate the nature of the part. For example 161 stands for nuts, 162 for screws, 163 for washers, etc. The condition of the part we sell is indicated on the web site and in the price list. The following codes will appear on the web site in the catalogue parts lists and on the price lists supplied with catalogues, near the number, for the parts which are.. SH - Second Hand, EX - supplied on an EXCHANGE BASIS, and a SURCHARGE will be invoiced. NA - Currently NOT AVAILABLE. LH - Left Hand or RH - Right Hand. Always viewed from the drivers seat. LHD - left Hand Drive, RHD Right Hand Drive, A/R - AS REQUESTED, means the quantity required can vary from application to application. USE - the part number has been replaced by an other part number indicated.

ORDERS

Orders are welcome through the WEB SITE, E-MAIL, FAX, LETTER, TELEPHONE or by visiting a Anglo-Parts branch.

For orders not made through our Web site, can we please ask you to prepare the following, using our ORDER FORM.

- Your CUSTOMER NUMBER, name, address, telephone number work/home, fax number, codice fiscale (for Italian customers only) or VAT number for European companies.
- Specify if shipping address is different.
- CAR TYPE INFORMATION, make, model, year build etc.
- Provide Anglo Parts PART NUMBERS only.
- Indicate the quantity desired and parts description.
- Indicate method of payment: VISA, MASTER CARD, EURO CARD or advance payment by bank.
- Once an order placed, we put this in the computer system and the processing of labels, lists and checking lists will follow. Changing an order already placed, will hold up the whole system and automatically cause delays, we therefore ask for your help by checking your order twice prior to send it to us. This will help us deliver the parts in time. Thank you for your understanding.

PAYMENTS

CREDIT CARDS: At this time of writing, we accept the following credit cards: VISA, MASTER CARD, EURO CARD. Please supply credit card number (mostly 16 figures), expiring date and name as appears on the card.

BANK: When your merchandise is being picked, packed in boxes, weighed and sized, the invoice will be made and we inform you of the total amount to be paid, invoice (**Not for Web site**) number and our bank references. Please note the invoice number and your customer number with any payment you do.

SHIPMENT

NATIONAL: We deliver door to door and goods including the transport costs must be paid at delivery C.O.D., if a credit card was not used.

INTERNATIONAL: We ship UPS prepaid, for small parcels. The only cost still to be paid at reception might be your local TAX. For large or heavy parcels we use an economical and fast transport method. ANGLO PARTS packs its boxes very well and the risk of receiving damaged goods is very small, however the following must be noted. Anglo Parts will not be held responsible for goods lost or damaged in transit. For shortage or damage claims not caused by the transporter, a claim must be made within three days of receipt of the order. All packing materials should be retained. Transport of glass in not insurable and will be transported at your own risk.

RECEIVING YOUR GOODS

For all shipments, by arrival, please check that no seal or tape is broken and the package is not damaged. In case of any damage or shortage, write this on the carrier's sheet in accordance with the actual condition and quantity of contents BEFORE you sign the freight bill or receiving note. Keep your copy attached with the invoice and make a claim to the transport company immediately. In any case, save the packing material until everything is settled. Anglo Parts checks goods while picking from stock and again while packing but the final check must be made by the customer himself at arrival. Make sure that the parts received match the ones you ordered and that mechanical parts function correctly. Do not wait with checking the goods until you actually need them and report problems within three days of receiving the goods.

WARRANTY

Almost all parts made for the classic car industry are made in small quantities by companies who are willing to do this at an acceptable price. We at Anglo Parts check the goods for approval but we are not able to inspect each individual product. It is the responsibility of the user to make the final inspection of the part PRIOR TO fitting. Especially mechanical parts must be checked to make sure they are in perfect working condition. The warranty period starts from the invoice date, not from the installation date. Our parts carry normal and reasonable warranty but claims will be limited to the value of the component and in no case should cover labour, transport, failure of related component, failure resulting from faulty installation or parts being used for rally or competition. All products for warranty claim must be returned to the shop where you bought it by using the following procedures: the value must be over 8 euro, the goods must be sent back with shipping and taxes prepaid, all parts must be returned clean and well packed, once you or a third person has disassembled the part, our responsibility for it has ended. Anglo Parts will make the final decision of whether the unit was inherently defective or damaged during installation. We shall investigate this offer when we have received the goods back from you in undamaged condition. During the return these goods may not be damaged by poor packing or by transport. The warranty period for reconditioned parts is limited to 6 months and 4 months for rebuilt shock absorbers, most other parts are warranted against defects in material and workmanship by the original equipment manufacturer or by Anglo Parts nv for a period of one year starting with the date on the invoice.

RETURNS

If you received an incorrect item, and the mistake is yours, we are willing to restock this item and we will credit the value of the goods less a 15% restocking charge. No returns will be accepted without your invoice copy, after 30 days from the invoice date, for bearings, pistons, piston rings, goods by meter, trim parts (hoods, soft tops, tonneau covers, seat kits, panels etc.) books or any parts where installation has been attempted. Goods must be returned transport and taxes prepaid. Anglo Parts is not able to refund the taxes paid in the country of arrival, shipping or packing charges and commission we had to pay to the credit card company. You can use the value of this credit note again in a future order of the same value. We do not refund the value of credit notes.

SURCHARGE - CORE DEPOSITS

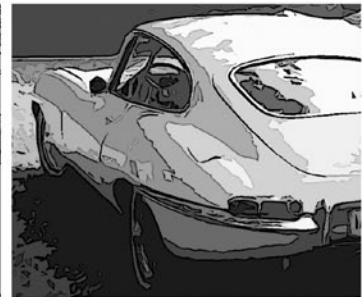
A surcharge will be added on the price for parts offered on an exchange basis. The surcharge price can be seen on the web site in the catalogue parts lists and is listed in our price list near the part number related and will be invoiced pending the return of the old reservicable unit. This surcharge will be refunded in full providing that we receive the unit complete, clean, drained of oil and returned within two months of our invoice date. Please also provide a copy of our invoice. All returns must be sent back with full shipping charge prepaid. If you export the old unit to us, a letter should be sent to us with your name, address, telephone number, date of sending and description of the goods you are returning, including the surcharge value. Please make some copies and stick one on the parcel, one into the packing and keep one for yourself. We will need this information for importing the goods. Upon its arrival we will immediately check the following points: is the packing well done and has there been any damage during the transport, is the old unit similar to the type of unit we have sent to you (correct original), is the unit complete and are the essential parts rebuildable. Please do not send a MGA wiper motor for exchange with a TD wiper motor, do not send a distributor without the advance system. In this latter sample we will refund the surcharge for the distributor less the value (in our opinion) of the advance system.

BACK ORDERS

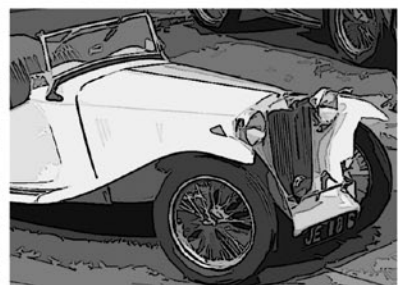
Goods which are not in stock at the time of your order will be kept in back order. We will inform you when these are available again and parts will be reserved for you for a period of fourteen days starting from the day you were informed. If you do not contact us within this period, we will put the part(s) back in our stock to be sold to other customers. By ordering you can also specify "No Back orders" or ask us to cancel all previous back orders. When a part you had on back order becomes obsolete, we will let you know as well. If you decide to take this part in used condition, please ask us and we will do our best to obtain it, if possible.

Austin Healey 100/4 - 100/6 - 3000 and Sprite - Triumph TR2 - 3 - 3A - 4 - 4A - 5 - 250 - 6

Austin Healey 100/4 - 100/6 - 3000 and Sprite - Mini - Morris Minor - Land Rover Defender - Jaguar XK120 - 140 - 150 - Jaguar E-Type - Jaguar MKII - Jaguar XJ



There's no easier way!
angloparts.com
 All the parts, all the information and all our free PDF catalogues at your fingertips.





How to read and use the part number list

i

PART NO.	QTY	DESCRIPTION
7 111.003	1	Joint ring, exhaust manifold to exhaust
8 011.157	1	SPIN-ON Oil filter conversion plate.
9 011.279	1	kit, containing all studs, nuts and spring washers for fitting thermostat housing and manifold
111.038	1	Paper oil filter with seele
	1	Metal SPIN-ON oil filter

GB
ILL n°.

illustration number

Part n°.

Part number

QTY

Quantity required

DESCRIPTION

Part description

Illustration number

Exceptions: If a part has no illustration number it is because there are several kinds of the part in question.

e.g. Left and right hand door panel.

Part number

Exceptions: A part number may be missing if the part is no longer obtainable or in production.

Necessary quantity:

ATTENTION: indicated here is the quantity of units necessary and **not** the quantity of units which are supplied per order/delivery. Our parts are sold per unit.

Part description

With dimensions of screws, bolts, cables, etc. Information about carburettors, electricity etc., details about books giving more information about the part itself: original, reproduction, reconditioned, etc.

NL
Illustratie nummer

Uitzonderingen: Een onderdeel heeft geen illustratie nr. omdat er meerdere soorten van het bestaande stuk zijn.

vb. Links en rechts deurpaneel

Onderdeelnummer

Uitzonderingen: Een onderdeel-nummer kan ontbreken wanneer dit stuk niet meer te verkrijgen of in productie is.

Nodige Hoeveelheid

LET OP: Hier wordt de hoeveelheid stuks die nodig zijn vermeld en **niet** de hoeveelheid stuks die worden geleverd bij bestellingen. Onze onderdelen worden verkocht per stuk.

Onderdeel beschrijving

Met maten van schroeven, bouten, kabels enz. Informatie over carburateurs, elektriciteit enz. Details over boeken die meer informatie geven. Informatie over het onderdeel zelf: origineel, reproductie, gerestaureerd enz.

F
Numéro illustration

Exceptions: Si une pièce détachée ne comporte pas de numéro d'illustration, c'est que la pièce existe en plusieurs versions.

Exemple: Panneau de porte gauche - droite.

Numéro de la pièce

Exceptions: Si ce numéro n'est pas indiqué, c'est parce que cette pièce n'est plus disponible ou qu'elle n'est plus en production.

Quantité nécessaire:

ATTENTION: Sous cette rubrique, on mentionne la quantité de pièces qu'il faut et **non** la quantité de pièces livrées lors de la commande. Nos pièces détachées se vendent à l'unité.

Description de la pièce:

Comporte les dimensions des vis, écrous, câbles etc. Des renseignements au sujet de carburateurs, électricité etc., des détails concernant des livres informatifs. Des renseignements au sujet de la pièce même: pièce d'origine, reproduction, pièce révisée etc.

D
Abbildungsnummer:

Ausnahmefall: Wenn ein Einzelteil keine Abbildungs-nummer hat, ist das, weil der Einzelteil in mehreren Fassungen besteht.

Beispiel: Linke - rechte Türfläche.

Nummer des Ersatzteils:

Ausnahmefall: Mangelt diese Nummer, dann ist dieser Einzelteil nicht mehr verfügbar oder wird er nicht mehr hergestellt.

Benötigte Menge:

Achtung! Unter diesem Titel wird die Menge der benötigten Einzelteile angegeben, sondern **nicht** die Menge der bei Bestellungen gelieferten Einzelteile. Unsere Einzelteile werden stückweise verkauft.

Beschreibung des Ersatzteils

Betrifft die Abmessungen der Schrauben, Mutter, Kabel, usw.; Auskünfte über Vergaser, Elektrizität, usw. Einzelheiten über Info-Bücher, Auskünfte über den Einzelteil selbst: Originaleinzelteil, Reproduction, überholter Einzelteil usw.

I
Numero illustrazione

Eccezioni: Un componente non ha un numero illustrazione perchè ci sono vari tipi del pezzo esistente.

P. es. Pannello porta destro e sinistro.

Numero componente

Eccezioni: Può succedere che non c'è un numero componente quando il pezzo non è più disponibile o quando non è più in produzione.

Quantità necessaria

AVVERTENZA: La quantità di pezzi necessari è data, e non la quantità di pezzi consegnati dopo ordinazioni. I nostri componenti vengono venduti al pezzo.

Descrizioni componenti

Con misure di vite, bulloni, cavi ecc. Informazioni su carburatori, elettricità ecc. dettagli su libri che danno ulteriore informazione. Informazioni sul componente stesso: originale, riproduzione, revisionato ecc.



ANGLO PARTS FAX ORDERFORM

Client n° : <input type="text"/>	Date : <input type="text"/>
Name : <input type="text"/>	Shipping address if different : <input type="text"/>
Address : <input type="text"/>	<input type="text"/>
<input type="text"/>	<input type="text"/>
Country : <input type="text"/>	Country : <input type="text"/>
Tel/Fax : <input type="text"/>	Model : <input type="text"/> Year : <input type="text"/>
E-mail : <input type="text"/>	Chassis n° : <input type="text"/>
	Engine n° : <input type="text"/>

	Quantity	Part n°	Page n°	Illustr. n°	Description
1					
2					
3					
4					
5					
6					
7					
8					
9					
10					
11					
12					
13					
14					
15					
16					
17					
18					
19					
20					

To be shipped Will be collected Backorders, parts not in stock or available at this moment/ required or not

Payment : Visa Euro-card - Master card - Access

Card n° : • • •

Exp. date : • badge code : Signature : _____

Fax numbers

BELGIUM Fax +32 15 42 34 45 • **HOLLAND, VEENENDAAL** Fax +31 318-551395 • **ITALY** Fax +39 0422 321 470
GERMANY Fax +49 6441 781336 • **FRANCE** Fax +33 328 26 83 73 • **SPAIN** Fax +34 93 225 27 9
HOLLAND, GRUBBENVORST Fax +31 77-3663411 • **LUXEMBOURG** Fax +352 518151-820
HUNGARY Fax +36 1-254-0820 • **POLAND** Fax +48 22.857.90.26
CZECH REPUBLIC Fax: +42(0) 317 847338





Production dates, car numbers, LWB= Long wheel base, VDP= Vanden Plas				
Series 1 6 & 12 cylinder	Made from	Made to	LHD	RHD
Jaguar XJ6 2.8L	Sept 1968	May 1973	1G.50001	1G.1001
Daimler Sovereign 2.8	Oct 1969	May 1973	N/A	1T.1001
Jaguar XJ6 4.2L	Sep 1968	Jul 1973	1L.50001	1L.1001
Daimler Sovereign 4.2	Oct 1969	Jul 1973	N/A	1U.1001
Jaguar XJ6 4.2 LWB	Oct 1972	Jul 1973	2E.50001	2E.1001
Daimler Sovereign 4.2 LWB	Oct 1972	Jul 1973	N/A	2D.1001
Jaguar XJ 12 5.3	Jul 1972	Aug 1973	1P.50001	1P.1001
Daimler Double six	Jul 1972	Aug 1973	2A.50001	2A.1001
Jaguar XJ12 LWB	Oct 1972	Aug 1973	2C.50001	2C.1001
Daimler Double-Six VDP	Sep 1972	Aug 1973	2B.50001	2B.1001
Total Series 1 Production 98527				
Series 2 6 & 12 cylinder				
Jaguar XJ6 2.8	Sep 1973	Nov 1973	2U. 50001	N/A
Jaguar XJ6 4.2	Sep 1973	Nov 1974	2N.50001	2N.1001
Daimler Sovereign 4.2	Sep 1973	Nov 1974	2M.50001	2M.1001
Jaguar XJ6 4.2L LWB	Sept 1973	Feb 1979	2T.50001	2T.1001.
Daimler Sovereign 4.2 LWB	Sep 1973	Feb 1979	2S.50001	2S.1001
Jaguar XJ12 LWB	Sep 1973	Feb 1979	2R.50001	2R.1001
Daimler Double-Six LWB	Sep 1973	Feb 1979	2K.50001	2K.1001
Daimler Double-Six VDP	Sep 1973	Feb 1979	2P.50001	2P.1001
Jaguar XJ6C 4.2 (coupe)	Oct 1974	Nov 1977	2J.50001	2J.1001
Daimler Sovereign 4.2 2 door	Oct 1974	Nov 1977	2H.50001	2H.1001
Jaguar XJ12C 5.3 (coupe)	Oct.1974	Nov 1977	2G.50001	2G.1001
Daimler Double-Six 2 door	Oct 1974	Nov 1977	2F.50001	2F.1001
Jaguar XJ 3.4	Apr 1975	Feb 1979	3A.50001	3A.1001
Daimler Sovereign 3.4	Apr 1975	Feb 1979	3B.50001	3B.1001
Daimler Vanden Plas 4.2	Apr 1975	Feb 1979	3C.50001	3C.1001
Total Series 2 Production 127078				
Series 3 6 & 12 Cylinder				
Jaguar XJ6 3.4	May 1979	Apr 1987	JAALA.4CC	JAALA.3CC
Jaguar XJ6 3.4	May 1979	Apr 1987	JAALA.8CC	JAALA.7CC
Daimler XJ6 3.4	Mar 1979	Oct 1982	DCALA.4CC	DCALA.3CC
Daimler XJ6 3.4	Mar 1979	Oct 1982	DCALA.8CC	DCALA.7CC
Jaguar XJ6 4.2	Mar 1979	Apr 1979	JAAL.P.4.CC	JAAL.P.3CC
Jaguar XJ6 4.2	Mar 1979	Apr 1979	JAAL.P.8CC	JAAL.P.7CC
Daimler Sovereign 4.2	Mar 1979	Jul 1986	DCAL.P.4CC	DCAL.P.3CC
Daimler Sovereign 4.2	Mar 1979	Jul 1979	DCAL.P.8CC	DCAL.P.7CC
Daimler Vanden Plas 4.2	Mar 1979	Oct 1982	DCRL.P.4CC	DCRL.P.3CC
Jaguar XJ12 5.3	Mar 1979	Nov 1991	JBAL.W.4CC	JBAL.W.3CC
Jaguar XJ12 5.3	Mar 1979	Nov 1991	JBVL.V.49C	N/A
Daimler Double-Six VDP	Mar 1979	Oct 1979	DDRL.W.4CC	DDRL.W.3CC
Daimler Double-Six	Mar 1979	Nov 1992	DDAL.W.4CC	DDAL.W.3CC
Total Series 3 Production 177243				
Total XJ Production 402848				

ENGINE NUMBER	GEARBOX NUMBER	REAR AXLE NUMBER
6 Cylinder Stamped on the left-hand side of the cylinder block above the oil feed banjo bolt.	4 Speed gearbox : Stamped on the top of gearbox cover	Stamped on the tag label
12 Cylinder Stamped on the back of the cylinder block.	5 Speed gearbox : Stamped on the top of the casing.	

Prefix		Prefix	Prefix
Series 1			
2.8L	7G.1001 on	4 Speed gearbox with or without o/d up to 1979 code ?	2.8L C.31680C
4.2L	7L.1001 on		2.8L C.31681C
5.3L	7P.1001 on		2.8L C.41049E/F
			2.8L C.41050E/F
		5 Speed gear box code	3.4L CAC2391/A
		RTC 1979-1982	3.4L (C.43123/A)
Series 2			
2.8L	7G.25000 on		3.4L CAC2022/A
3.4L	8A.1001 on	Automatic gearbox 1968-92	3.4L C.43124/A
4.2L	7L.74000/	2.8L Borg Warner 35	3.4L CBC2104/35
	8L.1001on	3.4L Borg Warner 65	4.2L C.41049/A/D/
5.3L	7P.4000carb/	3.4L Borg Warner 66	E/F/X
	7P25001 (inj)	4.2L Borg Warner 8	4.2L C.41050/AD/
		4.2L Borg Warner 12	E/F/X
		4.2L Borg Warner 65	4.2 CAC2391/A/D/
		4.2L Borg Warner 66	X
Series 3			
3.4L	8A	5.3L Borg Warner 12	4.2L C.43123/A/D/X
4.2L	8L	5.3L GM400	4.2L CBC2104/28
5.3L	8S.1001on		4.2L CBC2258/06
			4.2L CBC2259/06
			5.3L C.41049/D/X
			5.3L C.41050/D/X
			5.3L CAC2022/D/X
			5.3L CAC2391/D/X





Index

A

Accelerator cable	31
Actuator valve, heater	26
Adjusting tool, Zenith	36
AED unit	34, 35
Air conditioning	26
Air filter	11, 28, 29
Air flow meter	37
Air intake	69
Air temperature sensor	38
Air temperature thermostat	26
Air valve	37
Air vent	72
Aligning tool, clutch	42
Allgemeine Verkaufs- und Lieferbedingungen	93
Alternator	55
Amplifier, airco	26
Amplifier, ignition	41
Angle drive, speedo cable	60-62
Antenna	59
Antifreeze	11, 24
Ash tray	72
Autoglym	81
Automatic gearbox	46

B

Badges, front	69
Badges, rear	70
Ball joint separator	85
Ball joint, front suspension	51
Ballast resistor, ignition	41
Battery conditioner	79
Battery	55
Bearing kit, front	51
Bearing kit, rear	49
Belangrijke info	89
Belt	11
Belts (XJ12)	25
Belts (XJ6)	23
Bending tool	85
Body panels	63
Bolt-on wire wheels	77
Bonnet cable	65
Bonnet moulding	69
Bonnet	63, 65
Books	88
Boot lamp	58
Boot lid finishers	70
Boot lid seal	65
Boot lid	63
Boot lock wings	65
Boot lock	65
Boot mat	73
Boot switch	59
Brake calliper	54
Brake disc	54
Brake fluid	42, 53, 75
Brake hoses	53
Brake hoses, braided	75
Brake light switch	53, 60
Brake pads	54
Brake parts	53, 54
Brake pipe set	53
Buffer, number plate	70
Bulb kit	57
Bumpers	71

C

Cam alignment tool	12, 74
Camshaft (XJ12)	17
Camshaft (XJ6)	13
Camshafts, reprofiled	74
Capacities	21
Car cover	78
Car duster	81
Car wash handshoe	81
Carburettor kits	32
Carburettor oil	32
Carburettor synchronizer	84

C continued

Carpet fasteners	72
Carpet set	73
Castrol oil	80
Chamois	81
Check valve, airco	27
Choke cable	31
Choke thermo switch	28
Choke warning light	60
Cigar lighter	60, 61
Clock	61, 62
Clutch hose	42
Clutch master cylinder	42
Clutch system	42
Coil	11, 41
Cold start injector	37
Colortune	84
Compressor	26
Condenser	11, 41
Condensor, airco	26
Connolly hide care	81
Contact set	11, 41
Control box, alternator	55
Control box, window lift	59
Control unit, injection	37
Conversion gasket set (XJ12)	18
Conversion gasket set (XJ6)	14
Cool tape	77
Coolant	80
Cooling fan, switch	25
Copper grease	49
Core plug set (XJ6)	16
Crankshaft (XJ6)	14, 18
Crown wheel&pinion	48
Cylinder head (XJ12)	17
Cylinder head (XJ6)	12

D

Dashboard	60, 61, 62
Dashboard	72
Differential	48
Dip switch, lighting	60
Distributor cap	11, 41
Distributor	41
Door glass	67
Door handles	68
Door hinge	68
Door panels, trim	73
Door seals	67
Door steps	68
Door switch	59
Door warning lamp	58
Doors	63
Drier, airco	26
Drip pan	79
Důležitá informace CZ	96

E

Easy bleed kit	85
EGR switch	37
Engine controls	31
Engine mounting (XJ12)	20
Engine mounting (XJ6)	16
Evaporator, airco	26
Exhaust manifold	28, 29
Exhaust system (XJ12)	40
Exhaust system (XJ6)	39
Exhaust valve (XJ12)	17
Exhaust valve (XJ6)	12
Exhaust wrap	77
Expansion valve, heater	26

F

Facet fuel pump	76
Factory workshop manuals	86
Fan (XJ12)	25
Fan (XJ6)	23
Fan motor (XJ6)	23

F continued

Fertan	64, 82
Fibre optic unit	59
Fire extinguisher	79
Flasher box	60-62
Floor panel	64
Foam, seats	73
Fog lamp	58
Fog lamp, rear	79
Front oil seal (XJ12)	18
Front suspension	51
Front windscreen	66
Front wing	63
Fuel injection	37
Fuel cooler	30
Fuel filter	11, 30
Fuel filter, chrome	76
Fuel hose, braided	76
Fuel pressure regulator	37, 38, 76
Fuel pump	30
Fuel tank	30
Furflex kit	73
Fuse box	55
Fuse box, rear lamps	58

G

Gaiter, gear lever	43, 44
Gear lever knob	43, 44
Gear shift boot	43, 44, 72
Gearbox mounting (XJ6)	16
Gearbox oil	43
Gearbox parts	43, 44
Gearknob, wood	78
Glove box lamp	58
Glove box lock	72
Glue	72, 82
Grease pump	49
Greenstuff, brake pads	75
Grill	69

H

Half shafts	49
Handbrake cable	54
Handbrake pads	54
Handbrake warning switch	54
Hazard box	60-62
HD 8 carburettor parts	33
Head gasket set (XJ12)	17
Head gasket set (XJ6)	12
Header tank (XJ12)	24
Header tank (XJ6)	22
Headlamps	57
Headlining	72
Headrest covers	73
Heat insulation products	76
Heater (XJ12)	27
Heater (XJ6)	26
HIF 7 carburettor parts	35
Horn	55
HS 8 carburettor parts	34
HT lead kit	41
Hub cap, wheels	47
Hydra blade	81

I

Ignition switch	52
Ignition system	41
Immersed type pump, fuel	30
Important informations	1
Indicator lamp	57
Indicator switch	60-62
Información importante	95
Informations importantes	90
Informazioni importanti	91
Injector	37
Inlet manifold	28, 29
Inlet valve (XJ12)	17
Inlet valve (XJ6)	12
Interior light	58


I continued

Interior mirror	72
Interior trim	73
Internal body parts	64
Isolation pad, bonnet	65

J

Jack bag	73
Jaguar cap	78
Jet, windscreen washer	56

K

Key fob	83
Kick-down switch	31
Kick-down switch, aut. gearbox	46

L

Lambda sensor	37, 38
Lamp unit	57
Leaping cat	79
Light delay unit	62
Low coolant probe (XJ6)	22
Low coolant probe (XJ12)	24
Lumenition, ignition	75
Luster lace	77

M

Magnetic oil drain plug (XJ12)	20
Magnetronic ignition system	75
Main bearing (XJ12)	18
Main bearing (XJ6)	14
Manifolds	28, 29
Master cylinder, brake	53
Micro switch, injection	38
Midlock carburettor synchronizer	84
Mirrors, interior	72
Mirrors, outer	69, 78
Modern starter motor	55
Moto-Lita steering	52, 77
Moulding bonnet	69
Mouldings	68
Mud flaps	79
Mug, Jaguar	83

N

Neutral switch, automatic gearbox	46
Number plate lamp	58
Number plate	71

O

Oil	21, 80
Oil cooler	21
Oil drain plug (XJ12)	20
Oil drain plug (XJ6)	16
Oil filler cap, chrome	74
Oil filter conversion	74
Oil filter	11, 15, 19
Oil pourer	80
Oil pressure sensor, sending unit	60
Oil pressure switch	60
Oil pressure warning light (XJ12)	20
Oil pressure sending unit (XJ12)	17, 20
Oil pressure sending unit (XJ6)	16
Oil pump (XJ12)	19
Oil pump (XJ6)	15
Oil seal conversion kit	14, 74
Oil seal rear, gearbox	43, 44
Oil seal rear, overdrive	45
Oil seal, front (XJ6)	15
Oil seal, front (XJ12)	18
Oil, steering	52
Optronic ignition system	75
Original Jaguar XJ	87
Outer sill	63
Overrider	71
Overdrive switch	43
Overdrive unit	45
Over-run valve	37, 38
Owners handbooks	86

P

Parts catalogues	86
Patch, Jaguar	83
Penrite oil	80
Piston set (XJ12)	18
Piston set (XJ6)	14
Power amplifier	38
Power resistor	38
Power steering pump	52
Pressure sensor, manifold	38
Propshafts	47

Q

Quarter light seal	67
--------------------	----

R

Radiator (XJ12)	24
Radiator (XJ6)	22
Radiator cap (XJ12)	24
Radiator cap (XJ6)	22
Radius arm	50
Reading lamp	58
Rear lamps	58
Rear oil seal (XJ12)	18
Rear oil seal (XJ6)	14
Rear suspension	49, 50
Rear windscreen	66
Rebuilding kits, carburettor	32
Reflector	58
Relay, dipping	58, 61
Relay, door lock	59
Relay, horn	55
Relay, starter	55
Relay, window lift	59
Relay, wipers	56
Remote type pump, fuel	30
Restoration manual	87
Return valve, fuel	30
Reverse lamp	58, 79
Reverse switch	43, 44, 46
Rheostat switch	60-62
Rivet tool	85
Rotor	11, 41
Rubber grease	42

S

Safety belt	72
Safety catch, bonnet	65
Seal, windscreen	66
Seat adjusting handle	72
Seat belt	72
Seat covers	73
Service kits, carburetor	32
Servo assembly, heater	26
Servo vacuum valve, heater	26
Servo, brake	53
Shock absorber, front	51
Shock absorber, rear	50
Side lamps	57
Silicone brake fluid	75
Slave cylinder	42
Solenoid, boot lock	65
Solenoid, door lock	59
Solenoid, overdrive	45
Solenoid, starter motor	55
Sound deadening pad	72
Spanner set	85
Spark plug spanner	85
Spark plug	11, 41
Speedo cable	60-62
Spin-on oil filter conversion	74
Sport coil	75
Spot lamp	58
Starter motor	55
Starter motor, modern	74
Steering lock	52, 60-62
Steering wheels	52, 77
Steering	52
Stub axle	51

S continued

SU tool kit	32
Sun visors	72
Swapover valve, fuel	30
Switch, electric mirror	69
Switch, oil press warning light (XJ6/12)	16
Switch, reverse light	43, 44, 46
Switches, dashboard	60-62
Synchro tester	32

T

Tank cap, fuel	30
Tappet hold-down kit	74
Thermal switch	37, 38
Thermal vacuum valve	37, 38
Thermo time switch	37, 38
Thermostat (XJ12)	24
Thermostat (XJ6)	22
Throttle potentiometer switch	31, 38
Timing chain (XJ6)	15
Timing chain (XJ12)	19
Timing chain, tensioner tool	15
Timing gear (XJ12)	19
Timing gear (XJ6)	15
Tool roll	73
Tools	84, 85
Track rod	52
Transducer, gearbox	62
Tread plates	68
Triangle, reflector	79
Trim kit	73

U

Union jack accessories	83
Universal joint, propshaft	47

V

Vacuum throttle switch	37
Vacuum unit, ignition	41
Vacuum valve, heater	26
Valve spring set, heavy duty	74
Valvemaster plus	80
Vibration damper	74
Viktig informationen	94
Viscous coupling (XJ12)	25
Viscous coupling (XJ6)	23
Vizibleed bleeder	85
Voltage stabilizer	60
VSP	80

W

Washer bottle	56
Washer pump	56
Water temperature sensor	37, 38, 60
Water temperature transmitter	37
Water wetter	80
Waterpump (XJ12)	25
Waterpump (XJ6)	23
Waxoyl	64, 82
Wet protect	82
Wheel arch set	77
Wheels & wheel nuts	47
Wichtige Auskünfte	92
Window lift motor	59
Window lift, switch	59
Window regulator handle	68
Windscreens	66
Wiper blade	56
Wiper blade, headlamp	56
Wiper motor	56
Wiper switch	61, 62
Wire wheel	77
Workshop manuals	86, 87
Wringer for chamois	81

Z

Zenith-Stromberg parts	36
------------------------	----



Ordering info



GB

Making an order with Anglo-Parts is easy! Each customer has his own customer card and number with which you can place an order by e-mail, fax, phone, post or by visiting one of the stores. To make things go fast and smooth it is important to use this customer card number together with the part numbers used by Anglo-Parts (these are always printed in all our catalogues and price-lists). There is also a guide printed at the beginning of each catalogue on how to use the part lists. When a part is not immediately available from stock, the customer will be advised and informed as soon as the part is available. When a part is no longer obtainable, we will do our utmost to find a solution, on either second hand basis, part exchange basis or even custom made when economically feasible.



NL

Bestellen is eenvoudig bij Anglo-Parts! Elke klant heeft zijn eigen klantenkaart en -nummer waarmee hij/zij gemakkelijk kan bestellen per telefoon, fax, e-mail, post of gewoon door langs te komen in een van onze winkels. Om een vlotte en probleemloze bestelling te maken is het belangrijk steeds dit klantnummer te gebruiken samen met het onderdeelnummer van Anglo-Parts; deze staan afgedrukt in al onze catalogi en prijslijsten. In het begin van elke catalogus staat een beschrijving van hoe de catalogus gebruikt kan worden om te bestellen. Wanneer een onderdeel niet in voorraad is en speciaal voor U besteld wordt, zal deze bestelling in nota blijven en U krijgt persoonlijk bericht wanneer het onderdeel voor U beschikbaar is. Wanneer een onderdeel niet meer verkrijgbaar is zullen wij ons uiterst best doen om een oplossing te vinden, hetzij door revisie, hetzij door een gebruikt onderdeel te leveren; als de kostprijs het toelaat kan er soms ook gereproduceerd worden.



F

Rien de plus facile que de passer une commande chez Anglo Parts : chaque client a sa carte et son numéro attiré qui lui permet de commander par courrier électronique, télécopie, téléphone, courrier ou au comptoir d'un des magasins. Vu la facilité il est recommandé d'utiliser le numéro client et les références des pièces détachées Anglo-Parts. Ces références étant toujours reprises dans les catalogues et listes de prix. Un mode d'emploi est imprimé dans les premières pages de chaque catalogue. Quand une pièce n'est pas disponible lors de la commande, elle est gardée en commande et le client sera informé dès disponibilité. Si une pièce n'est plus disponible, nous faisons le maximum pour la localiser et, le cas échéant, nous essaierons de vous trouver une pièce d'occasion, une pièce réparée, usagée voire une reproduction si cela s'avère réalisable économiquement.



D

Eine Bestellung bei Anglo-Parts zu machen ist einfach, da jeder Kunde seine eigene Kundenkarte mit Kundennummer hat. Mit dieser Nummer können Sie eine Bestellung per E-mail, Fax, Telefon, Brief oder in einem unserer Geschäfte aufgeben. Um eine Bestellung schnell und einfach zu machen, ist es wichtig die Kundennummer und die Anglo-Parts Teilenummern zu benutzen (Die Teilenummern sind in all unseren Katalogen und Preislisten angegeben). Ebenso wird am Anfang jedes Kataloges erklärt, wie die Teileliste zu gebrauchen ist. Falls ein Teil zur Zeit nicht lieferbar ist, wird dieses Teil in Rückstand gesetzt und Sie werden schriftlich benachrichtigt wenn es wieder lieferbar ist. Wenn ein Teil nicht mehr lieferbar ist, werden wir versuchen die beste Lösung zu finden und dieses Teil wenn möglich als Austauschenteil anzubieten oder wenn wirtschaftlich vertretbar es wieder herstellen zu lassen.

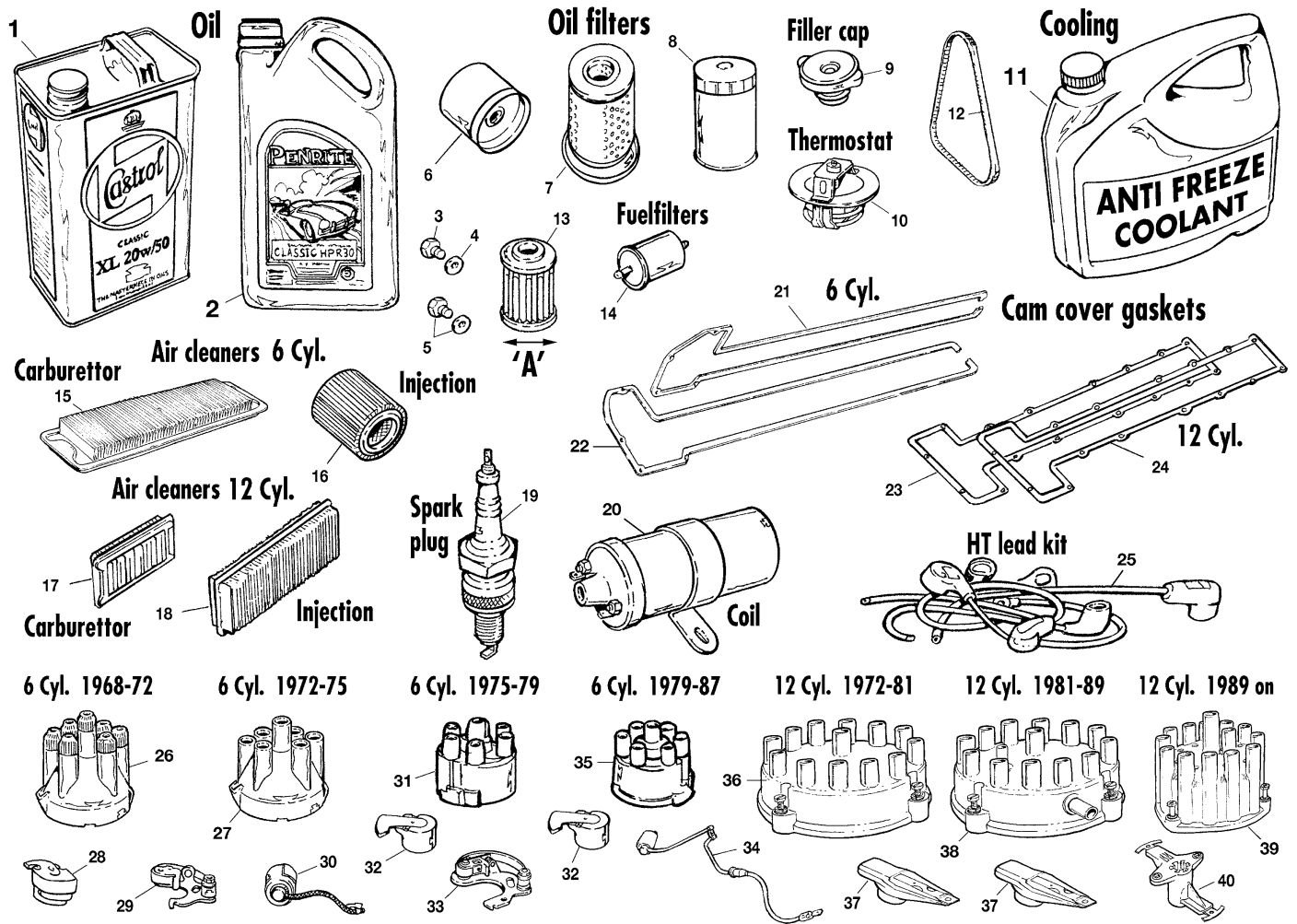
I

Ordinare da ANGLO-PARTS è molto facile! Ogni cliente ha una tessera con un codice personale con la quale può ordinare per e-mail, telefono, fax, posta o entrando in uno dei nostri negozi. Perché le cose siano sicure e veloci è importante usare sempre questa carta insieme ai numeri dei ricambi usati da ANGLO-PARTS (stampati in tutti i cataloghi). Sulla prima pagina di ogni catalogo ci sono le spiegazioni per l'uso dei listini prezzi. Quando un pezzo non è in stock al momento dell'ordine, sarà tenuto in sospeso ed il cliente sarà informato personalmente dell'arrivo del ricambio. Quando un pezzo non è più in commercio faremo di tutto per trovare una soluzione: sia di seconda mano, sia revisionandolo, sia riproducendolo se è economicamente possibile.

ESP

Pasar un pedido a Anglo Parts es muy fácil. Cada cliente tiene su propio numero y tarjeta que puede utilizar para pasar su pedido por fax, teléfono, Mail, correo o visitando una de nuestras tiendas. Para acelerar el proceso es aconsejable utilizar este numero y la referencia nuestros catálogos y listas de precios. Al principio de cada catalogo hay un apartado con explicaciones sobre la utilización del sistema de referencia. Si un recambio no esta inmediatamente disponible del stock, el cliente será avisado en cuanto lo esté. Cuando se trata de una pieza no disponible siempre intentaremos encontrar una solución, segunda mano, reconstruida a partir de intercambio, o fabricación especial si es económicamente viable.



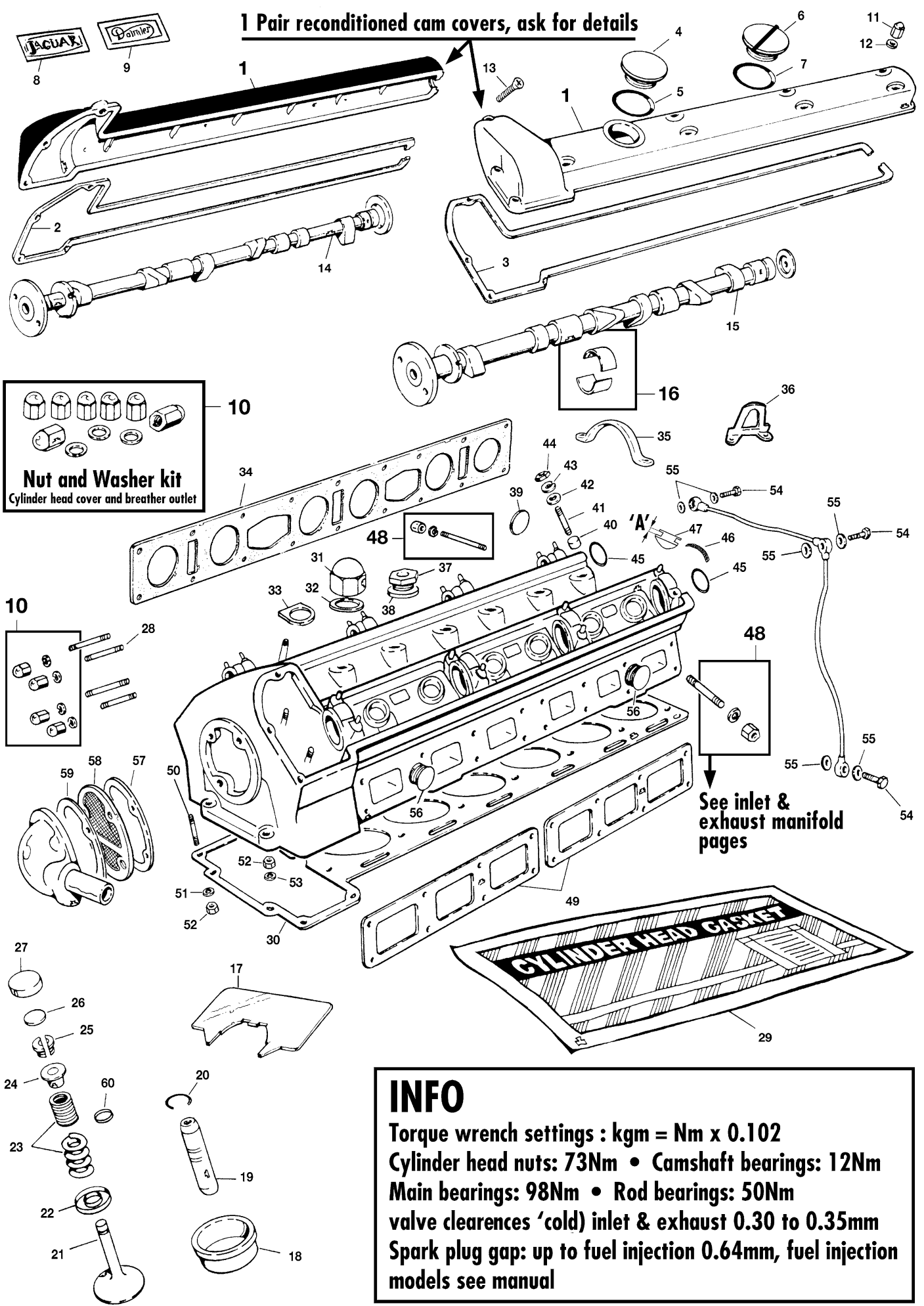


ILL N°	PART N°	QTY	DESCRIPTION	APPLICATION
1	300.522	A/R	4,5L Castrol classic 20W/50	6 cyl. incl. filter 8.25L
2	300.501	A/R	5L Penrite classic 20/60	12 cyl. incl. filter, S1 9.1L, S2 on 10.7L
3	011.865	1	Oil drain plug	All models
4	168.197	1	Washer, copper	
5	017.141	1	Oil drain plug, magnetic	All models
6	017.112	1	Oil filter element	6 cyl. Series 1 & 2 up to 1975
7	017.130	1	Oil filter element	12 cyl. Series 1, 2 up to Apr 1975
8	017.113	1	Oil filter, spin-on	6 cyl. Series 2 & 3, 12 cyl. Apr 1975 up to HE 1981
	017.113	1	Oil filter, spin-on. For filler cap, check cooling system !	12 cyl. HE, 1981 on
9	061.089	1	Filler cap, 13lbs	Fits on header tank
	061.684	1	Filler cap, 15lbs, (95kpa)	Fits on header tank
	061.673	1	Filler cap, 16lbs, (110kpa)	6 cyl. Series 3 Apr 1981 on only, Fits on header tank
	061.138	1	Filler cap, non pressure	Fits on engine
10	012.057	1	Thermostat 82°C	6 cyl. up to March 1979, 12 cyl. up to 1981
	012.085	1	Thermostat 88°C	6 cyl. fuel injection models March 1979 on, 12 cyl. HE models 1981 on
11	186.159	6	5L Anti freeze coolant, all season protection up to -25°C	6 cyl. up to 1977 17L, 1977 on 18L, 12 cyl. 21L
12	061.521	1	Belt to water pump	6 cyl. 2.8L
	061.522	1	Belt to water pump	6 cyl. 2.8L
	061.524	1	Belt to water pump	6 cyl. 3.4 & 4.2L
	061.123	1	Belt to water pump	12 cyl.
	061.523	1	Belt to alternator	6 cyl. Series 1 2.8L, 6 cyl. 4.2L Series 3 up to May 1981 & 12 cyl. 1972 on
	061.527	1	Belt to alternator	6 cyl. Series 1 & 2, 3.4L & 4.2L
	061.190	1	Belt to alternator	6 cyl. Series 3 May 1981 on
13	101.983	1	Fuel filter, 'A' = 42mm	6 cyl. Series 1, placed in engine bay
	108.291	1	Fuel filter, 'A' = 60mm	6 cyl. Series 1 and 2 up to March 1979, 12 cyl. up to fuel injection Apr 1975
14	108.775	1	Fuel filter	6 cyl. Series 3 3.4L only
	108.774	1	Fuel filter	12 cyl. pre HE, Aug 1975, up to 1981
	108.292	1	Fuel filter	6 cyl. Series 3 4.2L March 1979 on, 12 cyl. HE 1981 on
15	101.160	1	Air filter element	6 cyl. carburettor models, Series 1, 2 & 3 up to March 1979
16	108.268	1	Air filter element	6 cyl. fuel injection, Series 3 March 1979 on
17	108.776	2	Air filter element	12 cyl. with carbs, June 1972 to Apr 1975 18

ILL N°	PART N°	QTY	DESCRIPTION	APPLICATION
18	108.288	2	Air filter element	12 cyl. with fuel injection, Apr 1975 to Nov 1992
19	012.354	6	Spark plug, NGK BP7ES	6 cyl. Series 1, 2, 8
	012.088	6	Spark plug, Champion N12YCC	6 cyl. Series 1, 2 & 3
	012.058	12	Spark plug, Champion N9YCC	12 cyl. up to HE models, 1981
	018.189	12	Spark plug	12 cyl. 1981 on
20	081.001	1	Coil, push-in	6 cyl. Series 1 1968-73
	081.194	1	Coil, screw-in	6 cyl. Series 1 1968-73
	081.235	1	Coil	6 cyl. Series 2 & 3 1973-85
	081.320	1	Coil	6 cyl. Series 3 1985 on, 12 cyl. Series 1, 2 & 3 up to 1981, pre HE
	181.105	1	Coil	12 cyl. MAIN, Series 3 HE, 1981-1989
	181.112	1	Coil	12 cyl. SEC, Series 3 HE, 1981-1989
	181.114	1	Coil	12 cyl., MARELLI ignition system 1989 on
21	016.582	1	RH Cam cover gasket	6 cyl. Series 1 & 2 up to 1975
22	016.581	1	LH Cam cover gasket	6 cyl. Series 1 & 2 up to 1975
	016.724	2	LH/RH Cam cover gasket	6 cyl. 1975 on
23	016.745	1	RH cam cover gasket	12 cyl. models
24	016.746	1	LH cam cover gasket	12 cyl. models
25	081.965	1	HT lead kit, see Ill. No.26	6 cyl. early Series 1, for screw-in distributor cap
	081.966	1	HT lead kit, see Ill. No.27 & 31	6 cyl. late S1 + S2 & S3 for push-in distributor cap
	181.115	1	HT lead kit	12 cyl. up to 1989
	181.116	1	HT lead kit	12 cyl. 1989 on, MARELLI ignition system
26	081.357	1	Distributor cap	6 cyl. Series 1 1968-72
27	081.163	1	Distributor cap	6 cyl. Series 1 & 2, 1972-75
28	181.177	1	Rotor, heavy duty	Improved quality
	081.161	1	Rotor	
29	081.016	1	Contact set	
30	081.017	1	Condenser	
31	081.356	1	Distributor cap	6 cyl. Series 2 1975-79
32	081.084	1	Rotor	
33	081.082	1	Contact set	
34	081.156	1	Condenser	
35	081.941	1	Distributor cap	6 cyl. Series 3 1980-87, Electronic ignition
36	081.967	1	Distributor cap	12 cyl. pre HE models 1972-81
37	181.071	1	Rotor	
38	081.968	1	Distributor cap	12 cyl. HE models 1981-89
39	181.162	1	Distributor cap	12 cyl. models with MARELLI ignition system 1989 on
40	181.072	1	Rotor	



Cylinder head XJ6



INFO

Torque wrench settings : kgm = Nm x 0.102
Cylinder head nuts: 73Nm • Camshaft bearings: 12Nm
Main bearings: 98Nm • Rod bearings: 50Nm
valve clearances 'cold) inlet & exhaust 0.30 to 0.35mm
Spark plug gap: up to fuel injection 0.64mm, fuel injection models see manual



ILL N°	PART N°	QTY	DESCRIPTION	APPLICATION
1		1	1 Pair reconditioned (customers cover) cam covers, ask for details	
2	016.582	1	RH cam cover gasket, split type	Up to 1974
	016.724	1	RH cam cover gasket, solid type	1974 on
3	016.581	1	LH cam cover gasket, split type	Up to 1974
	016.724	1	LH cam cover gasket, solid type	1974 on
4	018.063	1	Oil filler cap, early, chrome, plain	
5	168.201	1	Seal for filler cap	
6	018.114	1	Oil filler cap, late, black	
7	168.309	1	Seal for late filler cap	
8	085.473	1	Decal, 'Jaguar'	
9	085.486	1	Decal, 'Daimler'	
10	012.832	1	Dome nut & washer kit (52 pieces), for cam covers & breather cover	
11	161.652	26	Dome nut, chrome	
12	168.195	26	Copper, washer	
13	166.099	2	Screw, countersunk	1968-1973
	166.276	2	Screw, countersunk	1974-1987
14	012.639	1	Inlet camshaft, with 2 thread holes	Early Series 1 models only
	012.642	1	Inlet camshaft, with 4 thread holes	
15	012.638	1	Exhaust camshaft, with 2 thread holes	Early Series 1 models only
	012.643	1	Exhaust camshaft, with 4 thread holes	
16	015.717	1	Cam bearing set	
17	200.839	1	Cam alignment tool	
18	012.807	12	Tappet guide, must be reamed after fitting	
19	012.763	6	Inlet valve guide 47.22mm, oversize 0.005"	
	012.764	6	Inlet valve guide, bronze, as above	
	012.765	6	Exhaust valve guide 49.62mm, oversize 0.005"	
	012.766	6	Exhaust valve guide, bronze, as above	
20	012.831	12	Circlip, valve guide	
21	012.759	6	Inlet valve, 44.5mm	
	012.994	6	Inlet valve, 47.7mm	
	012.760	6	Exhaust valve, 41.3mm	
22	012.776	12	Cupped washer, spring seat	
23	012.756	1	Valve spring set	
24	012.777	12	Collar, valve stem	
25	012.778	24	Cotter, valve stem	
26	012.780	A/R	Valve adjusting shim, .085", A	
	012.781	A/R	Valve adjusting shim, .086", B	
	012.782	A/R	Valve adjusting shim, .087", C	
	012.783	A/R	Valve adjusting shim, .088", D	
	012.784	A/R	Valve adjusting shim, .089", E	
	012.785	A/R	Valve adjusting shim, .090", F	
	012.786	A/R	Valve adjusting shim, .091", G	
	012.787	A/R	Valve adjusting shim, .092", H	
	012.788	A/R	Valve adjusting shim, .093", I	
	012.789	A/R	Valve adjusting shim, .094", J	
	012.790	A/R	Valve adjusting shim, .095", K	
	012.791	A/R	Valve adjusting shim, .096", L	
	012.792	A/R	Valve adjusting shim, .097", M	
	012.793	A/R	Valve adjusting shim, .098", N	
	012.794	A/R	Valve adjusting shim, .099", O	
	012.795	A/R	Valve adjusting shim, .100", P	
	012.796	A/R	Valve adjusting shim, .101", Q	
	012.797	A/R	Valve adjusting shim, .102", R	
	012.798	A/R	Valve adjusting shim, .103", S	
	012.799	A/R	Valve adjusting shim, .104", T	

ILL N°	PART N°	QTY	DESCRIPTION	APPLICATION
26	012.800	A/R	Valve adjusting shim, .105", U	
	012.801	A/R	Valve adjusting shim, .106", V	
	012.802	A/R	Valve adjusting shim, .107", W	
	012.803	A/R	Valve adjusting shim, .108", X	
	012.804	A/R	Valve adjusting shim, .109", Y	
	012.805	A/R	Valve adjusting shim, .110", Z	
27	012.806	A/R	Tappet	
28	167.294	4	Stud, breather	
29	016.861	1	Head gasket set, 2.8	
	016.715	1	Head gasket set, 3.4	
	016.719	1	Head gasket set, 4.2	1968-1973
	016.744	1	Head gasket set, 4.2	1974, 7L74000-8L9080
	016.712	1	Head gasket set, 4.2	8L9081 up to fuel injection
	016.713	1	Head gasket set, 4.2	With fuel injection
30	016.510	1	Head gasket, 2.8	
	016.718	1	Head gasket, 3.4	
	016.717	1	Head gasket, 4.2	
31	161.651	14	Dome nut, chrome	Series 1 & 2
	161.770	14	Dome nut, zinc	Series 3
32	163.242	9	Washer, plain, chrome	
33	163.244	5	Washer, bevelled	Series 1
	163.009	5	Washer, plain	Series 2 & 3
34	016.709	1	Gasket, inlet manifold	
35	017.117	2	Lifting eye, alloy	Series 1
36	017.435	2	Lifting eye, steel	Series 2 & 3
37	011.863	2	Plug, screwed	
	011.974	2	Plug, dished, later engines	
38	168.197	2	Washer, copper, only with screwed plug	
39	011.916	2	Core plug, 25.4mm	
	011.974	2	Core, plug, 41.7mm	
40	012.839	16	Dowel	
41	167.304	16	Stud	
42	163.001	16	Washer, plain	
43	164.002	16	Washer, spring	
44	161.002	16	Nut	
45	016.602	2	'O' ring, early engines	
46	016.601	1	Seal, bearing cap and camshaft cover, early engines	
47	016.729	2	Rubber 'D' seal, 'A' = 15mm	Up to 1974
	016.697	2	Rubber 'D' seal, 'A' = 11mm	1974 on
48		1	See inlet & exhaust manifold pages	
49	016.586	2	Gasket, exhaust manifold	
50	167.296	2	Stud	
51	168.199	2	Washer, copper	
52	161.002	4	Nut	
53	164.002	2	Washer, spring	
54	165.415	3	Banjo bolt	
	165.416	3	Longer banjo bolt, when thread is damaged	
55	168.200	6	Washer, copper	
56	011.863	2	Plug, screwed	
57	016.596	1	Gasket, breather cover	
58	011.914	1	Baffle on breather	
59	016.596	1	Gasket, breather cover	
60	012.767	12	Seal, valve stem, if required	



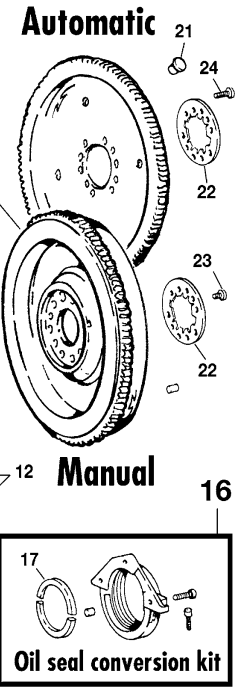
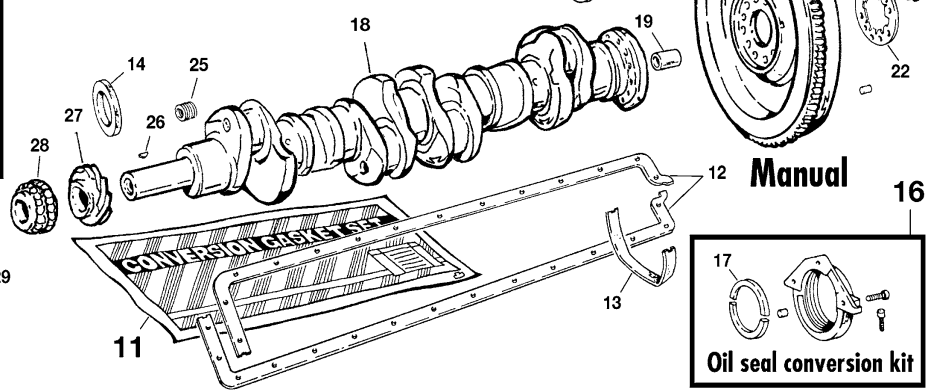
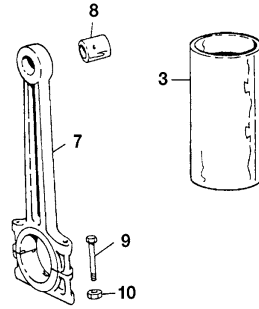
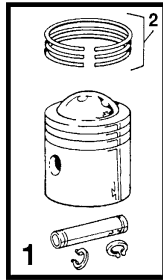
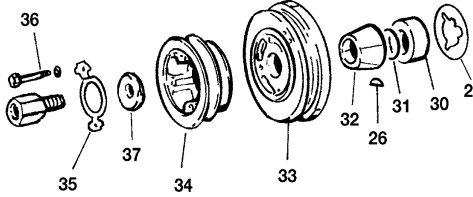
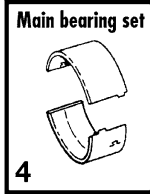
Pistons, crankshaft & engine bearings XJ6



INFO

Piston and cylinder bore sizing

Pistons are supplied in sets of six and come complete with piston and pin. It is recommended that all pistons are measured prior to final bore finishing adding the appropriate clearance as per the manufacturer's specifications. Piston ring sets, we supply 'Grant' or 'Deves' replacement sets manufactured in the USA.



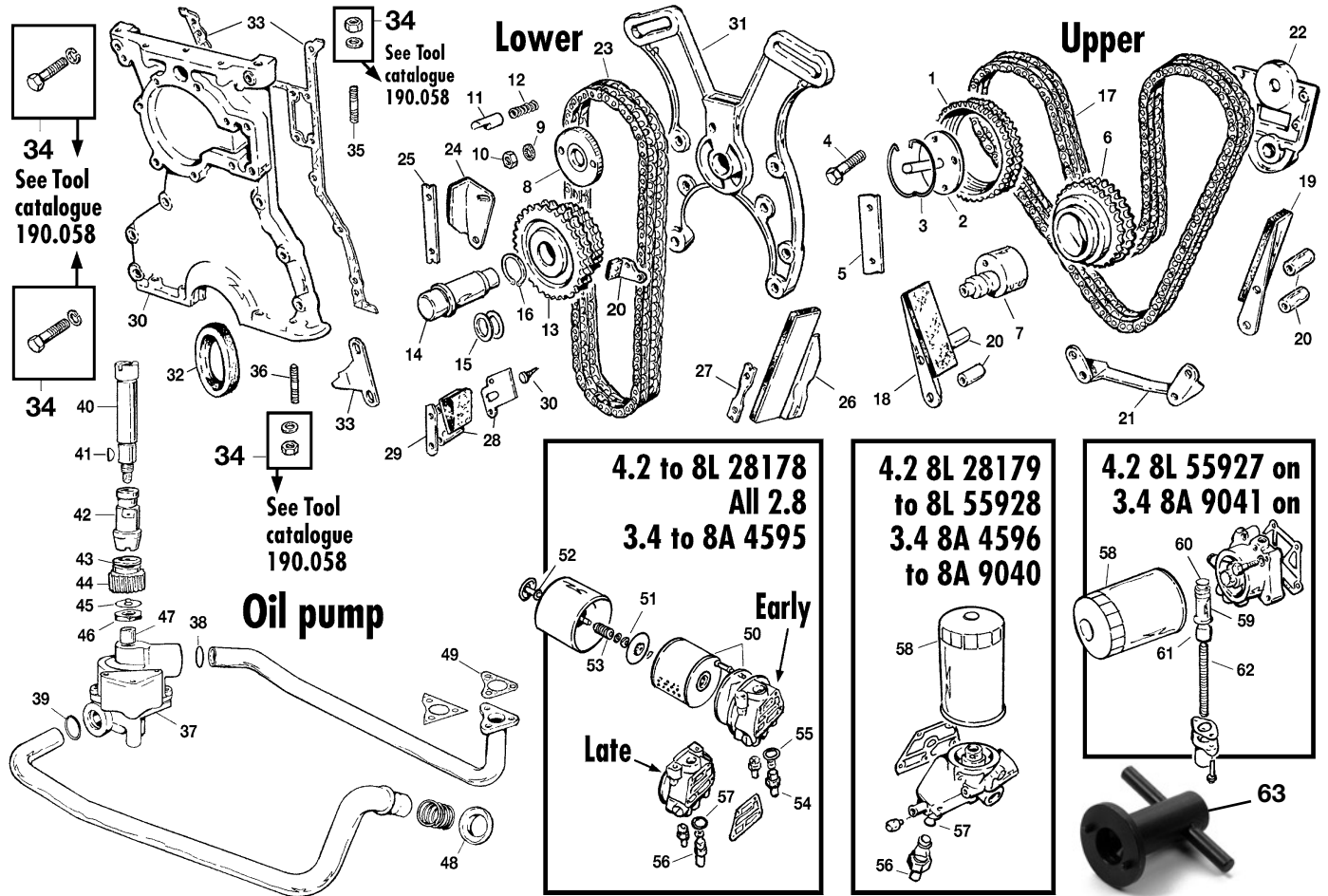
ILL N°	PART N°	QTY	DESCRIPTION	APPLICATION
1	114.230	1	Piston set STD, comp. 9.0:1	2.8
	114.232	1	Piston set 020"	2.8
	114.233	1	Piston set 030"	2.8
	014.810	1	Piston set STD, comp. 8.4:1	3.4
	014.812	1	Piston set 020"	3.4
	014.813	1	Piston set 030"	3.4
	014.800	1	Piston set STD, comp. 8.0:1	4.2
	014.802	1	Piston set 020"	4.2
	014.803	1	Piston set 030"	4.2
	2	114.240	1	3 Ring set STD,
114.242		1	3 Ring set 020"	2.8
114.243		1	3 Ring set 030"	2.8
014.830		1	3 Ring set STD	3.4
014.832		1	3 Ring set 020"	3.4
014.833		1	3 Ring set 030"	3.4
014.820		1	3 Ring set STD	4.2
014.822		1	3 Ring set 020"	4.2
014.823	1	3 Ring set 030"	4.2	

Our piston liners are parallel boring type, semi finished bore less 1 mm, Fitting instructions: measure each liner and machine cylinder block with appropriate interference fit

3	114.002	6	Piston liner, nominal, ? x ? x ?	2.8
	014.669	6	Piston liner, nominal, 3.267 x 3.393 x 6.978"	3.4
	014.687	6	Piston liner, nominal, 3.625 x 3.765 x 6.969"	4.2
4	015.700	1	Main bearing set STD, 69.85 to 69.86mm	2.8
	015.701	1	Main bearing set 010"	2.8
	015.702	1	Main bearing set 020"	2.8
	015.703	1	Main bearing set 030"	2.8
	015.704	1	Main bearing set 040"	2.8
	015.705	1	Main bearing set 050"	2.8
	015.706	1	Main bearing set 060"	2.8
	015.270	1	Main bearing set STD, 69.85 to 69.86mm	3.4
	015.271	1	Main bearing set 010"	3.4
	015.272	1	Main bearing set 020"	3.4
	015.273	1	Main bearing set 030"	3.4
	015.280	1	Main bearing set STD, 69.85 to 69.86mm	4.2
	015.281	1	Main bearing set 010"	4.2
	015.282	1	Main bearing set 020"	4.2
015.283	1	Main bearing set 030"	4.2	
015.284	1	Main bearing set 040"	4.2	
5	015.719	1	Thrust bearing set STD	
	015.059	1	Thrust bearing set .004"	
6	015.710	1	Con rod bearing set STD, 56.72 to 56.73mm	All
	015.711	1	Con rod bearing set 010"	All
	015.712	1	Con rod bearing set 020"	All
	015.713	1	Con rod bearing set 030"	All
	015.714	1	Con rod bearing set 040"	All

7	013.593	6	Con rod	
8	013.180	6	Small end bush	
9	165.499	12	Bolt, con rod	
10	161.669	12	Nut, self locking type	
11	016.722	1	Bottom gasket set, less oil seals	
12	016.725	1	Sump gasket set (two pieces)	
13	016.778	1	Rear oil seal, rubber	
14	016.573	1	Front oil seal	
15	016.603	2	Rear oil seal, rope type, original	
16	011.917	1	Improved rear oil seal kit, crankshaft need machining to 75mm	
17	016.859	1	Oil seal only	
18	013.420	1	Crankshaft	2.8
	013.597	1	Crankshaft	3.4
	013.846	1	Crankshaft	Up to 1979, 4.2
	013.800	1	Crankshaft	1979-1987, 4.2
19	011.124	1	Spigot bush, manual g/box cars, (4 speed g/box)	Up to 1979
	017.149	1	Spigot bush, manual g/box cars, (5 speed g/box)	1979 on
20	011.868	1	Ring gear for flywheel, 133 teeth, with manual g/box	3.4 & 4.2
	011.867	1	Ring gear for flywheel, 104 teeth, with manual g/box	2.8
21	172.888	2	Dowel flywheel & drive plate, check!	
22	174.100	1	Lock plate	
	017.426	1	Plate, stiffener	Automatic models only
23	165.430	10	Screw, securing flywheel, 4 speed gear box	Up to 1979
	166.322	10	Screw, securing flywheel, 5 speed gear box	1979 on
24	165.430	10	Screw, securing drive plate	
25	017.233	6	Screwed plug, crankshaft	
26	172.886	4	Key, woodruff	
27	013.613	1	Gear, oil pump drive	
28	013.614	1	Gear, timing chain	
29	013.626	1	Oil thrower	
30	011.932	1	Distance piece	
31	016.827	1	'O' ring, on spacer	
32	011.928	1	Cone	
33	017.234	1	Damper assembly	4.2
	017.243	1	Damper assembly	3.4
	017.245	1	Damper assembly	2.8
34	017.326	1	Pulley, models without air conditioning	All 6 cyl.
	017.265	1	Pulley, models with air conditioning	All 6 cyl.
35	174.157	1	Locking plate	
36	162.703	2	Bolt, 5/16"x 1.7/8"	Series 1
	162.088	2	Bolt, 5/16"x 2"	Series 2 & 3
37	163.253	1	Washer	

Timing chain, timing gear, oil pump & filters XJ6

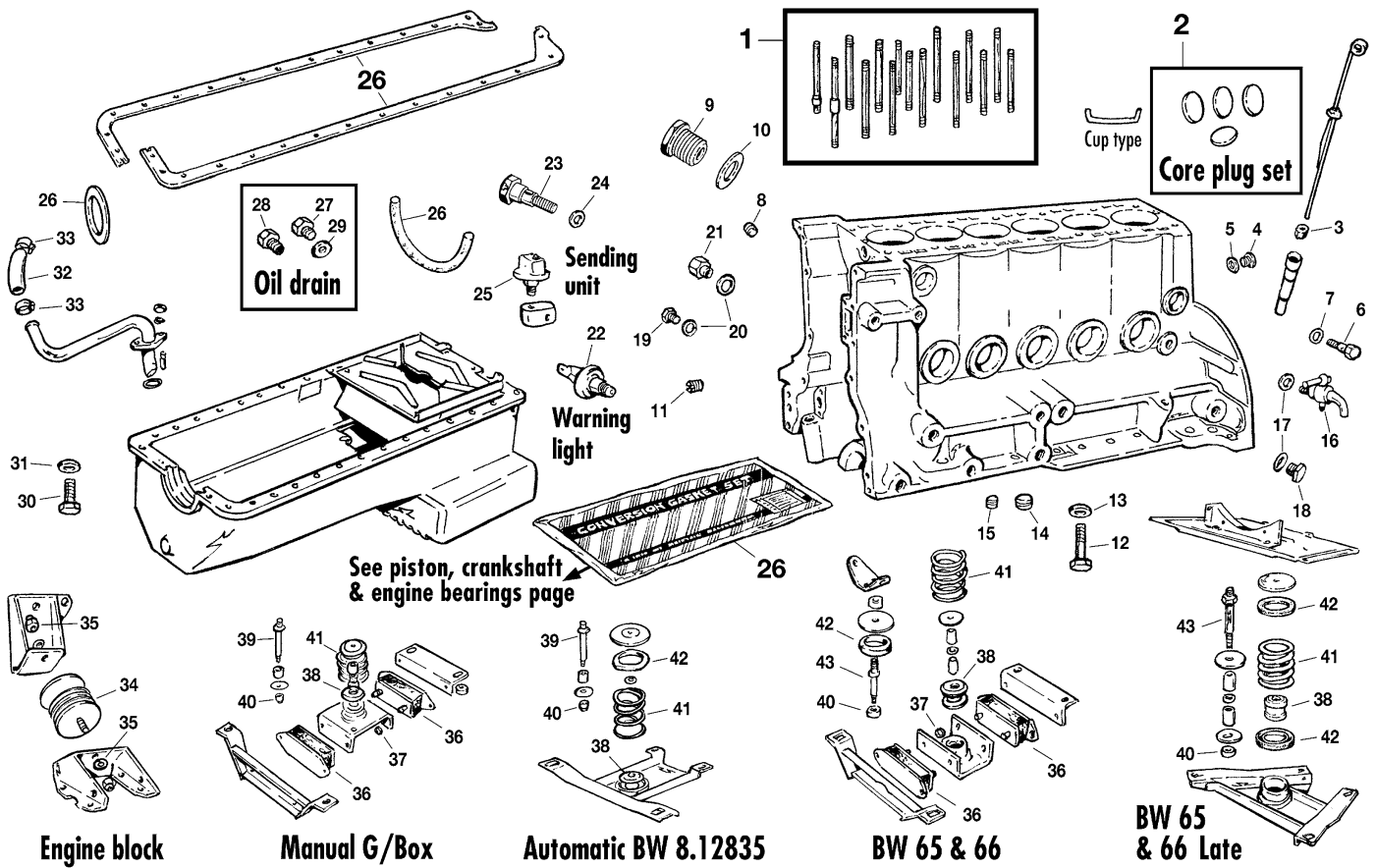


ILL N°	PART N°	QTY	DESCRIPTION	APPLICATION
1	012.998	2	Camshaft sprocket	
2	012.848	2	Adjusting plate & coupling	
3	013.801	2	Retaining clip	
4	165.556	4/8	Screw, sprocket, early camshafts use 4	
5	174.135	2/4	Tab washer, early camshafts use 2	
6	013.848	1	Idler sprocket, 21 teeth	
7	013.849	1	Eccentric shaft, idler sprocket	
	013.695	1	Plug in end of shaft	
8	013.697	1	Micro adjusting plate	
9	164.033	1	Internal tooth washer	
10	161.298	1	Flat nut, 7/16"	
11	013.692	1	Plunger pin.	
12	013.693	1	Spring	
13	012.772	1	Intermediate sprocket & inner bush	
	012.847	1	Inner bush only	
14	013.850	1	Intermediate shaft	3.4 & 4.2
	013.698	1	Intermediate shaft	2.8
15	013.730	A/R	Shim	
16	172.898	1	Clip	
17	013.605	1	Upper chain, 100 links	
18	013.606	1	RH upper damper	
19	013.607	1	LH upper damper	
20	017.240	4	Distance tube	3.4 & 4.2
	013.725	4	Distance tube	2.8
21	017.239	1	Retainer, upper chain	3.4 & 4.2
	174.163	1	Retainer, upper chain	2.8
22	013.847	1	Rear mounting bracket	3.4 & 4.2
	013.690	1	Rear mounting bracket	2.8
23	013.604	1	Lower chain, 82 links	3.4 & 4.2
	013.813	1	Lower chain, 62 links	2.8
24	013.609	1	Damper, intermediate	3.4 & 4.2
	013.824	1	Damper, intermediate	2.8
25	174.158	1	Tap washer	3.4 & 4.2
	174.183	1	Tap washer	2.8
26	013.610	1	Lower damper	3.4 & 4.2
	013.860	1	Lower damper	2.8
27	174.159	1	Tap washer	
28	013.612	1	Tensioner assembly	

ILL N°	PART N°	QTY	DESCRIPTION	APPLICATION
29	174.110	1	Tap washer	
30	011.980	1	Front cover	
31	013.688	1	Front mounting bracket	
32	016.573	1	Oil seal, front	
33	016.779	1	Gasket, timing cover	3.4 & 4.2
	016.877	1	Gasket, timing cover	2.8
34		1	See tool catalogue 190.058	
35	167.282	2	Stud, head to timing cover	
36	167.284	4	Stud, sump to cover	3.4 & 4.2
	167.311	4	Stud, sump to cover	2.8
37	013.602	1	Oil pump, large bore	
38	013.670	1	'O' ring, for delivery pipe	
39	016.629	1	'O' ring, for suction pipe	
40	013.618	1	Drive shaft	
41	172.880	1	Key, drive shaft	
42	013.671	1	Drive shaft bush	
43	013.633	1	Washer	
44	013.616	1	Drive gear	
45	174.101	1	Locking tab washer	
46	161.282	1	Flat nut, 9/16" UNF	
47	013.615	1	Coupling bush	
48	016.836	1	Sealing ring	
49	016.835	1	Gasket	
50	017.112	1	Oil filter element, with seals	
51	168.310	1	Washer, felt	
52	164.154	1	Washer, rubber	
53	011.985	1	Spring	
54	013.856	1	Relief valve, oil pressure	
55	016.838	1	'O' ring	
56	013.978	1	Relief valve, oil pressure	
57	168.312	1	'O' ring	
58	017.113	1	Oil filter, spin-on	
59	013.981	1	Relief valve, oil pressure	
60	168.313	1	'O' ring	
61	013.979	1	Plunger, relief valve	
62	013.980	1	Spring	
63	200.873	1	Timing chain, tensioner tool	

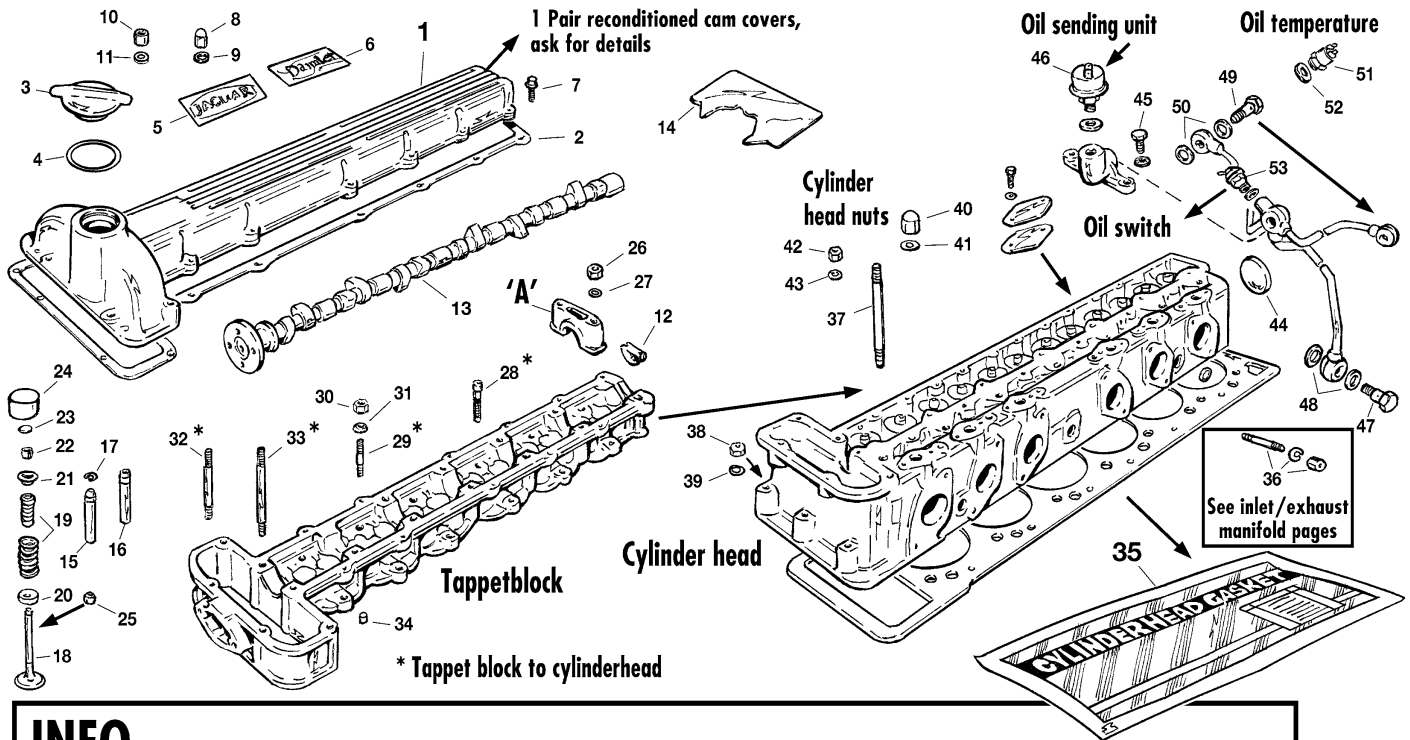


Engine mountings, engine block & sump XJ6



ILL N°	PART N°	QTY	DESCRIPTION	APPLICATION
1	167.265	10	Stud, plain, 6.3/8"	4.2 to 7L1175
	167.272	3	Stud, plain, 6.13/16"	4.2 to 7L1175
	167.273	1	Stud, dowel, 6.13/16", see 'B'	4.2 to 7L1175
	167.271	6	Stud, plain, 12.11/16"	4.2 7L1176 to 7L66597
	167.270	3	Stud, plain, 12.15/16"	4.2 7L1176 to 7L66597
	167.275	1	Stud, centre dowel, 13"	4.2 7L1176 to 7L66597
	167.265	4	Stud, plain, 6.3/8"	4.2 7L1176 to 7L66597
	167.271	7	Stud, plain, 12.11/16"	4.2 from 7L66598
	167.278	3	Stud, plain, 12.15/16"	4.2 from 7L66598
	167.277	1	Stud, centre dowel, 6.5/8", see 'C'	4.2 from 7L66598
	167.265	3	Stud, plain, 6.7/16"	4.2 from 7L66598
	017.266	1	Stud kit	4.2 most common
	167.274	10	Stud, plain, 7"	3.4 all years
	167.432	4	Stud, plain, 7.1/4"	3.4 all years
	167.265	10	Stud, plain, 6.3/8"	2.8 to 7G4623
	167.272	3	Stud, plain, 6.13/16"	2.8 to 7G4623
	167.273	1	Stud, dowel, 6.13/16", see 'B'	2.8 to 7G4623
	167.265	10	Stud, plain, 6.3/8"	2.8 7G4624 to 7G23685
	167.272	2	Stud, plain, 6.13/16"	2.8 7G4624 to 7G23685
	167.273	2	Stud, plain, 6.13/16"	2.8 7G4624 to 7G23685
	167.265	10	Stud, plain, 6.3/8"	2.8 7G23686 on
	167.433	4	Stud	2.8 7G23686 on
2	017.133	1	Core plug set, 9 pieces, cup type	
3	011.894	1	Felt for dipstick	
4	011.863	1	Screwed plug, rear	
5	168.198	1	Washer, copper	
6	165.415	1	Bolt, oil feed	
7	168.200	2	Washer, copper	
8	011.973	1	Oil filter flange core plug	
9	011.923	1	Plug, screwed	
10	168.306	1	Washer	
11	011.920	1	Screwed plug at the front	
12	165.546	14	Bolt, main cap	
13	163.243	14	Washer, main cap	
14	017.226	7	Large dowel, bearing cap/cyl.block	

ILL N°	PART N°	QTY	DESCRIPTION	APPLICATION
15	011.977	7	Small dowel, bearing cap/cyl.block	
16	011.921	1	Drain tap, early models	
17	168.196	2	Washer, copper	
	168.223	2	Washer, fibre	
18	017.399	1	Plug, later model	
19	011.862	5	Side gallery plug	
20	168.196	6	Washer, copper	
21	017.232	1	Adaptor, oil press. warning light	
22	013.074	1	Switch, oil press. warning light	
23	017.436	1	Banjo bolt	
24	168.196	2	Washer, copper	
25	088.084	1	Sending unit, oil pressure	Up to May 1976
	088.104	1	Sending unit, oil pressure	May 1976 on
26			See piston, crankshaft & engine bearings page. 14	
27	011.865	1	Oil drain plug	
28	017.141	1	Magnetic oil drain plug	
29	168.197	1	Washer for oil drain plug	
30	162.045	25	Screw, 5/16 UNF x 5/8"	
	162.005	1	Screw, 5/16 UNF x 3/4"	
31	164.031	26	Washer, shakeproof	
32	017.238	1	Hose, oil return	
33	172.060	2	Clamp	
34	017.119	2	Engine mounting	
35	161.025	4	Nut, nylock	
36	027.390	2	Gearbox mounting	
37	161.337	4	Nut, nylock	
38	027.388	1	Centre bush	
39	027.418	1	Pin locating, manual & automatic g/box	
	027.540	1	Pin locating, manual g/box 100781 on	
40	161.339	1	Nut, locking	
41	027.389	1	Spring	3.4 & 4.2
	171.145	1	Spring	2.8
42	027.387	2	Spring seat, rubber	
43	027.539	1	Pin locating	



INFO

Torque wrench setting: kgm=0.102* Cyl. head nuts: 7/16" nuts: 67-70.5 Nm, 3/8" nuts 36,6 - 37.9 Nm*
Cam shaft bearings: 12.2 Nm Main bearings: 3/8" nuts 36.6 - 37.9 NM, 1/2" nuts 80,5 - 84.7 Nm*
Conrod bearings: 54.2 - 55.6 Nm* For valve clearances & spark plug cap see workshop manual!

ILL N°	PART N°	QTY	DESCRIPTION
1		1	1 Pair reconditioned (COU) cam covers, ask for details
2	016.745	1	RH cam cover gasket
	016.746	1	LH cam cover gasket
3	018.114	1	Oil filler cap
4	168.309	1	Seal
5	085.473	2	Decal 'Jaguar'
6	085.486	2	Decal 'Daimler'
7	166.273	24	Screw, UNF, up to 7P47586
	166.279	24	Screw, Metric, 7P47587 on
8	161.659	8	Dome nut, UNF to 7P47586
9	168.199	8	Washer, copper
10	161.376	8	Nut, Metric, 7P47586 on
11	163.001	8	Washer, plain
12	016.697	2	Sealing plug
13	019.001	1	RH Camshaft, Series 1
	019.002	1	LH Camshaft, Series 1
	019.003	1	RH Camshaft, Series 2 up to 7P7000
	019.004	1	LH Camshaft, Series 2 up to 7P7000
	019.005	1	RH Camshaft, Series 2 7P7001 on
	019.006	1	LH Camshaft, Series 2 7P7001 on
14	200.839	1	Cam alignment tool
15	012.987	12	Inlet valve guide, 2nd oversize
	018.014	12	Inlet valve guide, bronze, as above
16	018.013	12	Exhaust valve guide, 2nd oversize
	018.015	12	Exhaust valve guide, bronze, as above
17	012.831	24	Circlip, valve guide retaining
18	018.009	12	Inlet valve, up to 7P45000
	018.011	12	Inlet valve, 7P45001 on
	018.010	12	Exhaust valve, up to 7P45000
	018.012	12	Exhaust valve, 7P45001 on
19	018.192	1	Valve spring set
20	012.776	24	Washer, valve spring
21	012.777	24	Collar, valve stem

ILL N°	PART N°	QTY	DESCRIPTION
22	012.778	48	Cotter, valve stem
23	012.780	A/R	Valve adjusting shim, .085", A
	012.781	A/R	Valve adjusting shim, .086", B
	012.782	A/R	Valve adjusting shim, .087", C
	012.783	A/R	Valve adjusting shim, .088", D
	012.784	A/R	Valve adjusting shim, .089", E
	012.785	A/R	Valve adjusting shim, .090", F
	012.786	A/R	Valve adjusting shim, .091", G
	012.787	A/R	Valve adjusting shim, .092", H
	012.788	A/R	Valve adjusting shim, .093", I
	012.789	A/R	Valve adjusting shim, .094", J
	012.790	A/R	Valve adjusting shim, .095", K
	012.791	A/R	Valve adjusting shim, .096", L
	012.792	A/R	Valve adjusting shim, .097", M
	012.793	A/R	Valve adjusting shim, .098", N
	012.794	A/R	Valve adjusting shim, .099", O
	012.795	A/R	Valve adjusting shim, .100", P
	012.796	A/R	Valve adjusting shim, .101", Q
	012.797	A/R	Valve adjusting shim, .102", R
	012.798	A/R	Valve adjusting shim, .103", S
	012.799	A/R	Valve adjusting shim, .104", T
	012.800	A/R	Valve adjusting shim, .105", U
	012.801	A/R	Valve adjusting shim, .106", V
	012.802	A/R	Valve adjusting shim, .107", W
	012.803	A/R	Valve adjusting shim, .108", X
	012.805	A/R	Valve adjusting shim, .110", Z
24	012.806	A/R	Tappet
25	012.767	24	Seal, valve stem, if required
26	161.002	28	Nut, cap, UNF, up to 7P47586
	161.376	28	Nut, cap, Metric, 7P47587 on
27	164.031	28	Internal tooth washer
28	166.280	12	Socket screw, UNF, up to 7P47586
	166.281	12	Socket screw, Metric, 7P47587 on
29	167.419	12	Stud, UNF, up to 7P47586
	167.420	12	Stud, Metric, 7P47587 on

ILL N°	PART N°	QTY	DESCRIPTION
30	161.002	12	Nut, UNF, up to 7P47586
	161.376	12	Nut, Metric, 7P47587 on
31	164.031	12	Internal tooth washer
32	167.400	4	Stud, short, UNF, up to 7P47586
	167.417	4	Stud, short, Metric, 7P47587 on
33	167.401	4	Stud, long, UNF, up to 7P47586
	167.418	4	Stud, long, Metric, 7P47587 on
34	012.839	4	Dowel, locating tappet block
35	016.867	1	Head set, 1973-75, carb. models
	016.868	1	Head set, 1975-81, injection models
	016.869	1	Head set, 1981 on
36			See inlet/exhaust manifold pages
37	167.402	28	Stud cam bearing cap, UNF
	167.421	28	Stud cam bearing cap, Metric
38	161.002	6	Nut, head to timing cover
39	164.031	6	Internal tooth washer
40	161.658	28	Cylinder head nut (dome), 7/16"
41	163.245	28	Washer, plain
42	161.822	24	Cylinder head nut, 3/8"
43	163.246	24	Washer, plain
44	017.333	2	Core plug, dished
45	165.458	2	Screw, UNC
46	088.084	1	Sending unit, oil pressure, up to May 1976
	088.104	1	Sending unit, oil pressure, May 1976 on
47	017.417	1	Banjo bolt, oil feed pipe
48	168.196	2	Washer, copper
49	165.415	2	Banjo bolt
50	168.200	4	Washer, copper
51	088.271	1	Switch oil temperature
52	168.210	1	Washer, sealing
53	088.586	1	Switch oil pressure

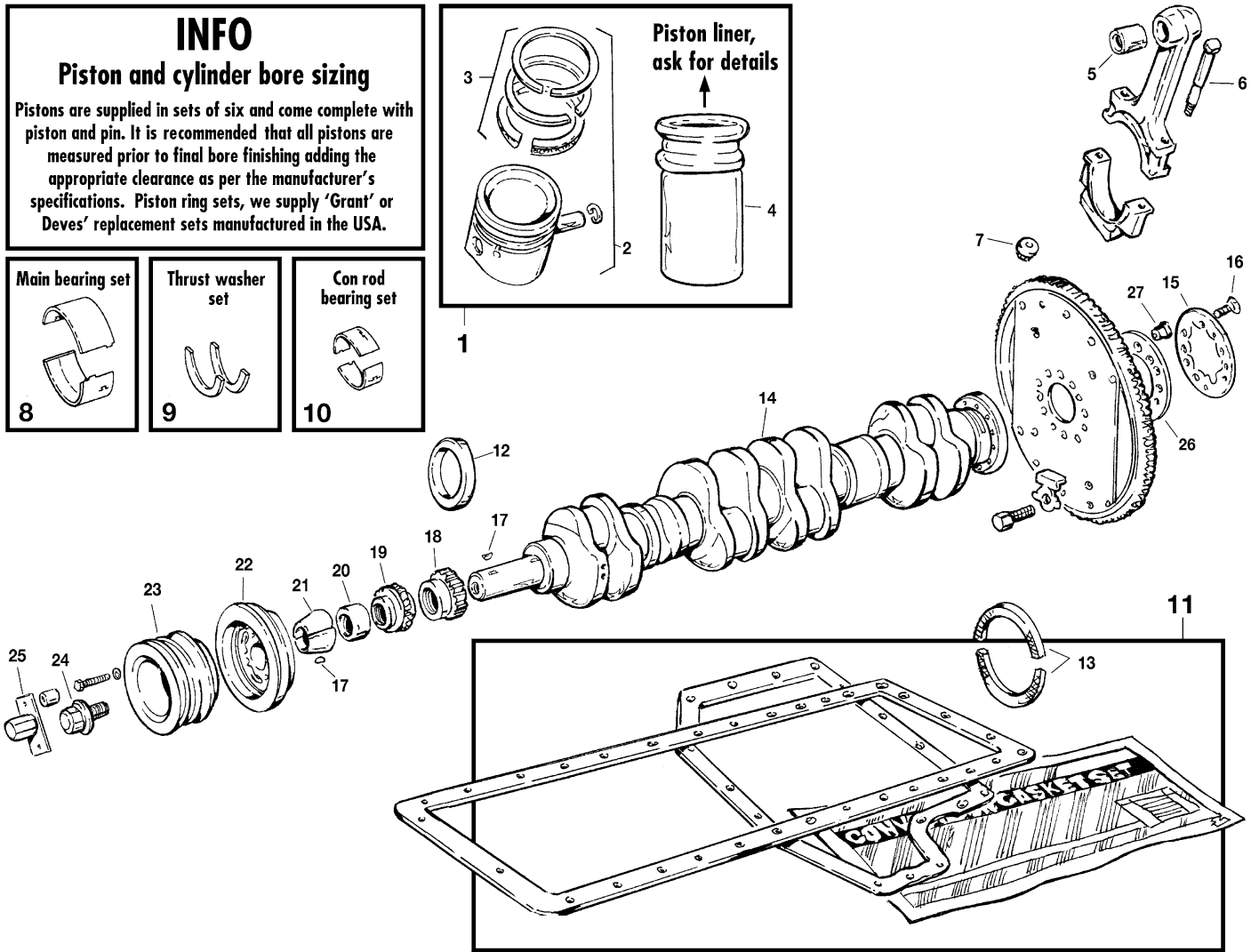
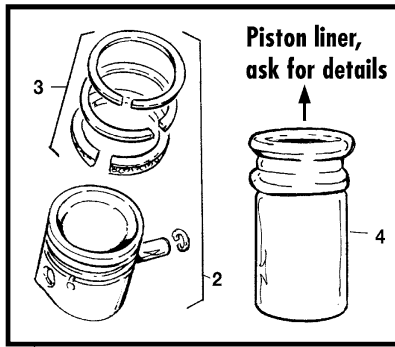
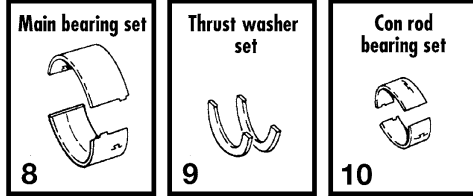


Pistons, crankshaft & engine bearings XJ12

INFO

Piston and cylinder bore sizing

Pistons are supplied in sets of six and come complete with piston and pin. It is recommended that all pistons are measured prior to final bore finishing adding the appropriate clearance as per the manufacturer's specifications. Piston ring sets, we supply 'Grant' or 'Deves' replacement sets manufactured in the USA.

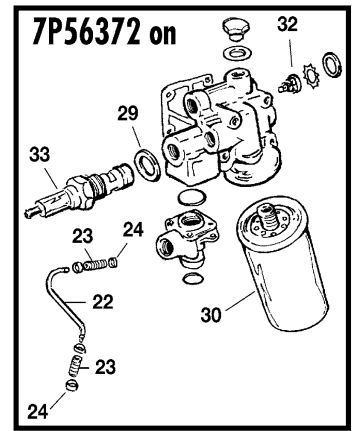
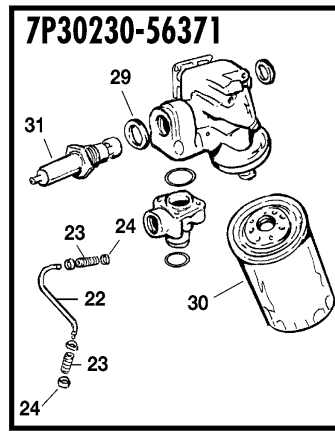
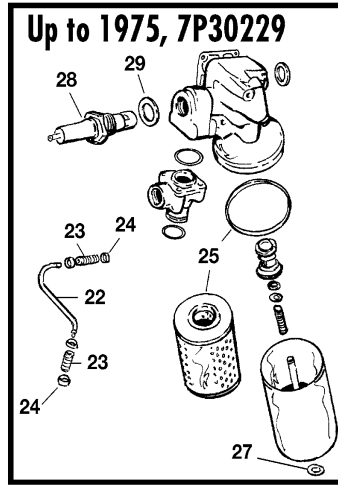
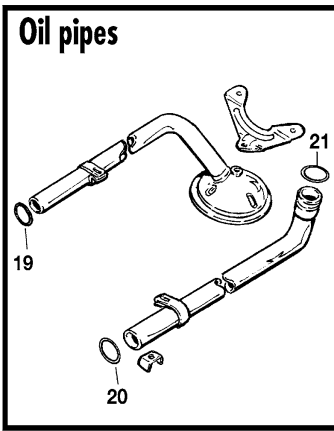
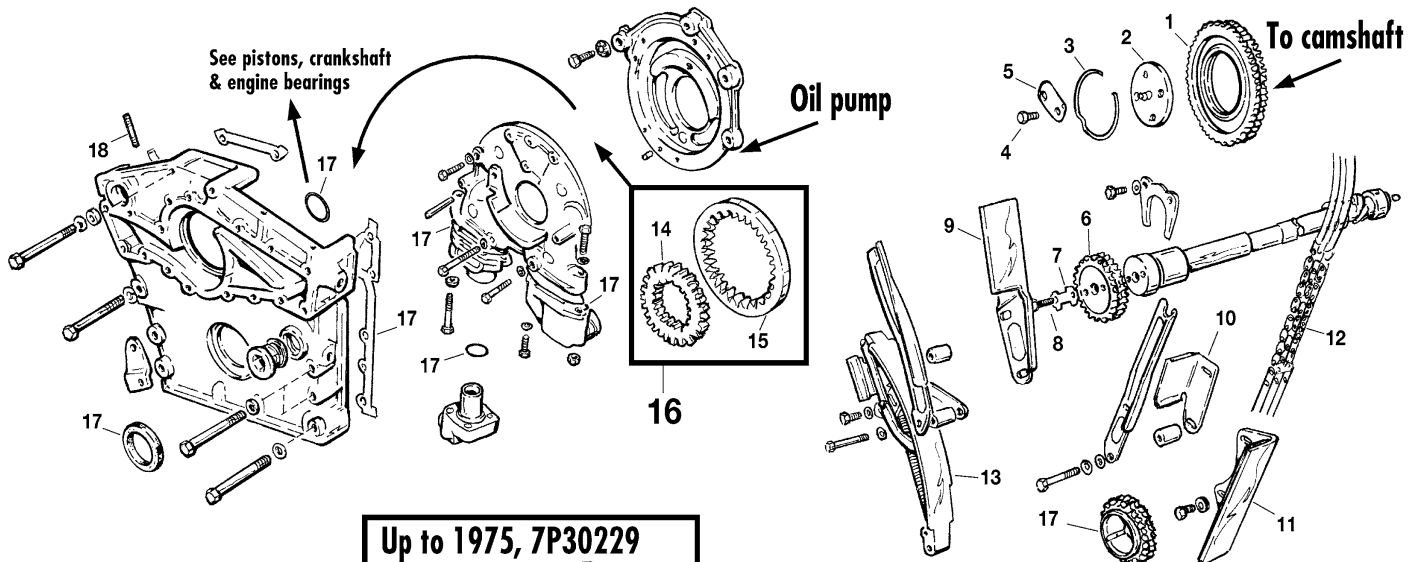


HE = High Efficiency. The greatest change to the V12 engine came in 1981 with the introduction of HE engine. Michael May from Antipollution Industrial Research developed a revised cylinder head design (known as the fireball) for a better fuel economy.

ILL N°	PART N°	QTY	DESCRIPTION	APPLICATION
1	114.210	1	Pistons and liners set, STD 9:1	
	114.211	1	Pistons and liners set, STD 11.5:1	
2	114.213	12	Piston set, STD 9:1	
	114.214	12	Piston set, STD 11.5:1	
	114.215	12	Piston set, STD 12.5:1	
3	114.216	1	Piston ring set, STD	
4			Piston liner, ask for details	
5	013.782	12	Small end bush	
6	166.282	24	Bolt, con rod	Up to 7P27698
	166.283	24	Bolt, con rod	From 7P27699
7	161.813	24	Nut, con rod	
8	015.860	1	Main bearing set, STD, 76.211 to 76.230mm	
	015.861	1	Main bearing set, 010"	
	015.862	1	Main bearing set, 020"	
	015.863	1	Main bearing set, 030"	
9	015.733	1	Thrust washer set, STD	
	015.734	1	Thrust washer set, .014"	
10	015.870	1	Con rod bearing set, STD, 58.405 to 58.420mm	
	015.871	1	Con rod bearing set, 010"	
	015.872	1	Con rod bearing set, 020"	

ILL N°	PART N°	QTY	DESCRIPTION	APPLICATION
11	016.870	1	Bottom gasket set with seals	
12	016.740	1	Front oil seal	
	116.107	1	Front oil seal, upgraded	
13	016.603	2	Rear oil seal half	
14	019.007	1	Crankshaft	Series 1
	019.008	1	Crankshaft	Series 2 & 3
15	174.100	1	Lock plate	
16	165.430	10	Screw, securing drive plate	
17	172.886	4	Key, woodruff	
18	013.992	1	Gear, oil pump drive	
19	013.991	1	Sprocket, timing chain	
20	017.424	1	Distance piece	
21	017.423	1	Cone, securing damper	
22	017.422	1	Damper, crankshaft	
23	017.420	1	Pulley	
24	017.437	1	Bolt, pulley to crankshaft	
25	017.438	1	Turning plate	
26	017.427	1	Stiffener plate	
27	017.425	1	Dowel	

Timing chain, timing gear, oil pump & filters XJ12

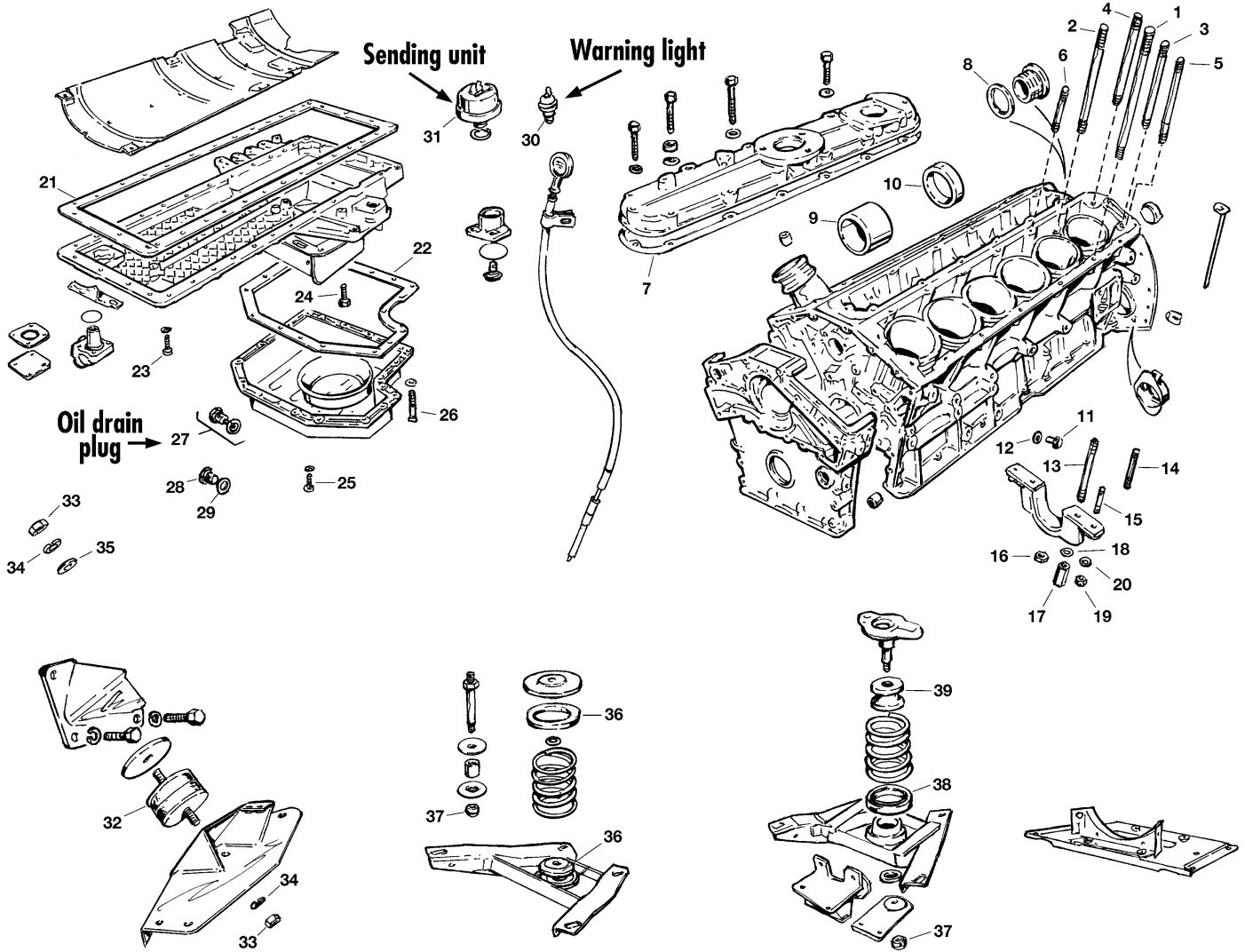


ILL N°	PART N°	QTY	DESCRIPTION	APPLICATION
1	013.982	2	Camshaft sprocket	
2	018.193	2	Adjusting plate & coupling	
3	013.683	2	Retaining clip	
4	165.947	8	Screw, sprocket	
5	174.135	4	Tab washer	
6	013.985	1	Sprocket, auxiliary shaft	
7	174.184	1	Lock plate	
8	162.077	2	Screw	
9	019.009	1	RH damper	
10	013.988	1	LH upper damper	
11	013.987	1	LH lower damper	
12	013.989	1	Timing chain	
13	013.990	1	Chain tensioner	
14	019.010	1	Driving gear, oil pump	Up to 7P32245
15	019.011	1	Gear, outer	Up to 7P32245
16	019.012	1	Oil pump set	From 7P32246
17			See pistons, crankshaft & engine bearings page 18	

ILL N°	PART N°	QTY	DESCRIPTION	APPLICATION
18	167.422	6	Stud, cylinder head to timing cover	
19	019.013	1	'O' ring, suction pipe	
20	019.014	1	'O' ring, delivery pipe	
21	019.015	1	'O' ring, delivery pipe to block	
22	019.016	1	Pipe, oil cleaner to sump	Series 1, 2 & 3
23	019.017	2	Hose, pipe to cleaner and sump	Series 1 & 2
	019.018	2	Hose, pipe to cleaner and sump	Series 3
24	173.155	4	Clip	
25	017.130	1	Oil filter element	12 cyl, Series 1 & 2 up to Apr 1975
27	168.154	1	Washer rubber, between bolt and container	
28	019.019	1	Valve, oil relief	
29	019.020	1	'O' ring, valve oil relief	
30	017.113	1	Oil filter, spin-on	
31	019.021	1	Valve, oil relief	
32	019.022	1	By-pass valve	
33	019.023	1	Valve, oil relief	



Engine mountings, engine block and sump XJ12



Engine block

Automatic BW

Automatic BW & GM 400

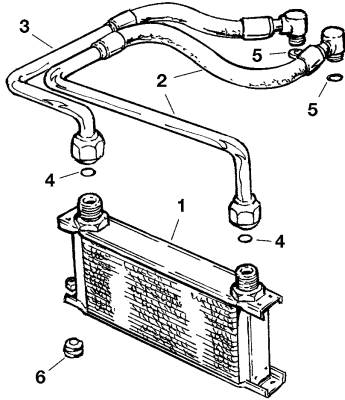
Mounting plate

ILL N°	PART N°	QTY	DESCRIPTION	APPLICATION
1	167.403	10	Stud, cyl. head, exhaust side, middle, 7/16"	
2	167.434	10	Stud, cyl. head, inlet side, middle, 7/16"	
3	167.435	4	Stud, cyl. head, exhaust side, front and rear, 7/16"	
4	167.436	4	Stud, cyl. head, inlet side, front and rear, 7/16"	
5	167.399	12	Stud, cyl. head, exhaust side, 3/8"	
6	167.398	12	Stud, cyl. head, inlet side, 3/8"	
7	016.923	1	Gasket, top cover	
8	168.291	1	Washer, copper	
9	015.847	1	Auxiliary shaft bearing, front	
10	015.848	1	Auxiliary shaft bearing, rear	
11	017.439	5	Plug, screwed, oil gallery	
12	168.196	5	Washer, copper	
13	167.425	14	Stud, main bearing cap, 1/2"	
14	167.424	2	Stud, main bearing cap, 3/8"	
15	167.425	14	Stud, main bearing cap, 3/8"	
16	161.045	8	Nut, 1/2"	
17	161.865	6	Nut, special, 1/2"	
18	163.243	14	Washer, plain	
19	161.822	16	Nut, special, 3/8"	

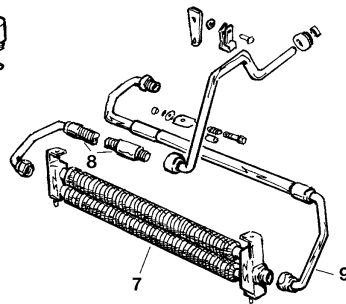
ILL N°	PART N°	QTY	DESCRIPTION	APPLICATION
20	163.005	16	Washer, plain	
21	116.110	1	Gasket, sandwich block	
22	016.934	1	Gasket, sump	
23	166.346	18	Screw	
24	081.026	4	Screw, baffle assembly	
25	162.090	14	Screw, sump	
26	166.347	15	Screw, sump	
27	017.141	1	Magnetic oil drain plug	
28	011.865	1	Oil drain plug	
29	168.197	1	Washer for oil drain plug	
30	013.074	1	Switch, oil press. warning light	
31	088.084	1	Sending unit, oil pressure	Series 1 & 2
	088.104	1	Sending unit, oil pressure	Series 3
32	017.136	2	Engine mounting	
33	161.026	4	Nut	
34	164.006	4	Washer, spring	
35	163.005	2	Washer, plain	
36	027.387	2	Spring seat, rubber	
37	161.339	1	Nut, locking	
38	027.387	1	Spring seat, rubber	
39	027.388	1	Centre bush	



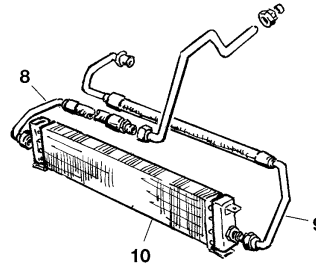
XJ6 Series 3



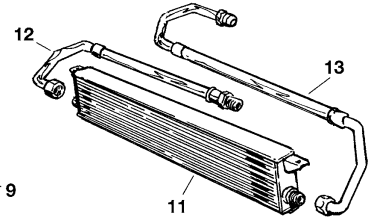
XJ12 Series 1



**XJ12 Series 2 & 3
to 'E' 7P56371**



**XJ12 Series 3
7P56372 on**



14

**Oils ! :
See parts
list below**



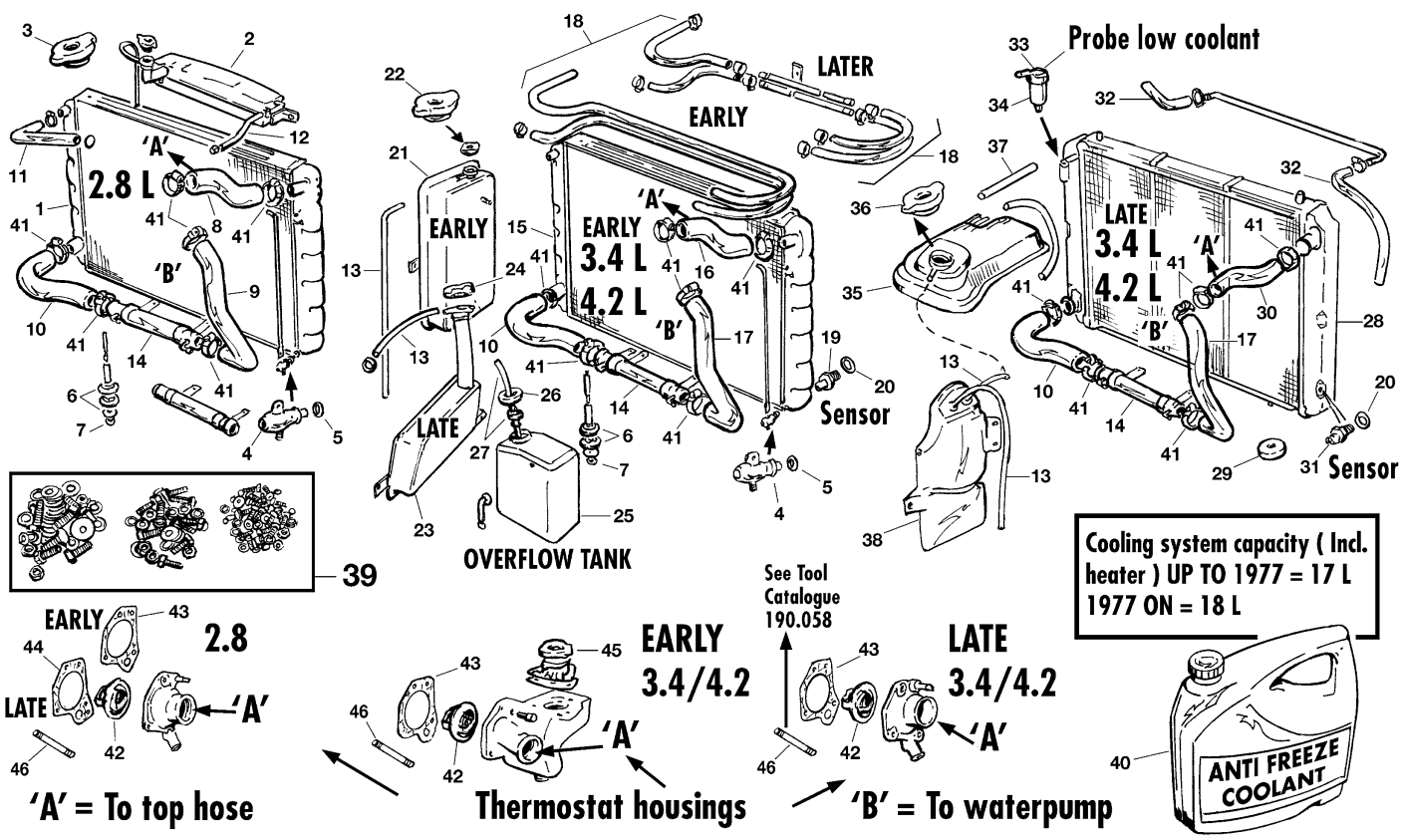
Type of car	ENGINE			GEARBOX			AXLE		
Jaguar XJ6 & Jaguar XJ12	6 Cyl. incl. filter	8.25 L.	HPR 20W/60	6 Cyl. overdrive	2.25-2.4 L.	Gear Oil 30	XJ6 Limslip	1.5-1.6 L.	Limslip 85W/140
				6 Cyl. NON-overdrive	1.5-1.6 L.	Gear Oil 30	XJ6 NON-Limslip	1.5-1.6 L.	Hypoid 85W/140
				6 Cyl. 5 gear	1.7 L.	Gear Oil 30			
	12 Cyl. incl filter S I	9.1 L.	HPR 20W/60				XJ12 Limslip	1.5-1.6 L.	Limslip 85W/140
	12 Cyl. incl filter S II	10.7 L.	HPR 20W/60						

ILL N°	PART N°	QTY	DESCRIPTION	APPLICATION
1	060.082	1	Oil cooler	XJ6
2	071.075	1	Hose/pipe, oil cooler	
3	071.076	1	Hose/pipe, oil cooler	
4	168.274	2	'O'ring, hose to cooler	
5	168.273	2	'O'ring, hose to engine sump	
6	122.465	2	Grommet, mounting	
7	060.183	1	Oil cooler	XJ12
8	071.081	1	Hose/pipe, oil cooler to filter	
9	071.080	1	Hose/pipe, oil cooler to sump	
10	060.084	1	Oil cooler	
11	060.184	1	Oil cooler	
12	071.094	1	Hose/pipe, oil cooler to filter	
13	071.095	1	Hose/pipe, oil cooler to sump	

ILL N°	PART N°	QTY	DESCRIPTION	APPLICATION
14	300.501	2	5 Litres Penrite Multigrade HPR '30' engine oil, SAE20W/60	Use for: XJ6 = 8.25 L. XJ12 S1 = 9.1 L. - XJ12 S2 = 10.7 L.
	300.101	1	1 Litre Penrite Multigrade HPR '30' engine oil, SAE20W/60	same as above
	300.511	1	5 Litres Penrite Gear oil HPR '30' oil, SAE20W/60	Use for: XJ6 overdrive = 2.25-2.4 L. XJ6 non overdrive = 1.5-1.6 L. XJ6 manual = 1.7 L.
	300.111	1	1 Litre Penrite Gear oil HPR '30' oil, SAE20W/60	same as above
	300.518	1	5 Litres Penrite Hypoid axle oil, 85W/140	use for: XJ6 NON Limslip = 1.5-1.6 L.
	300.118	1	1 Litre Penrite Hypoid axle oil, 85W/140	same as above
	300.519	1	5 Litres Penrite Limslip axle oil, 85W/140	use for: XJ6 limslip = 1.5-1.6 L. XJ12 Limslip = 1.5-1.6 L.
	300.119	1	1 Litre Penrite Limslip axle oil, 85W/140	same as above

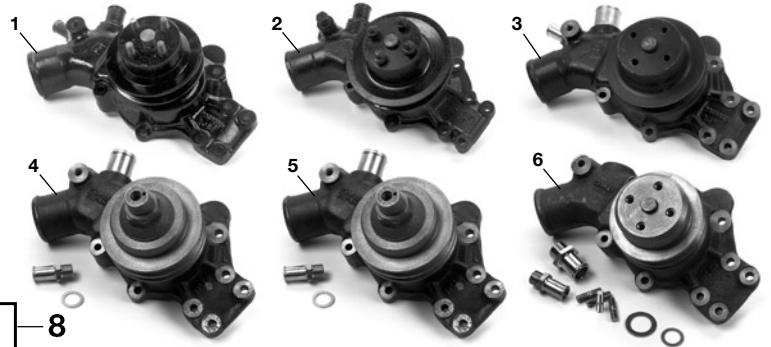
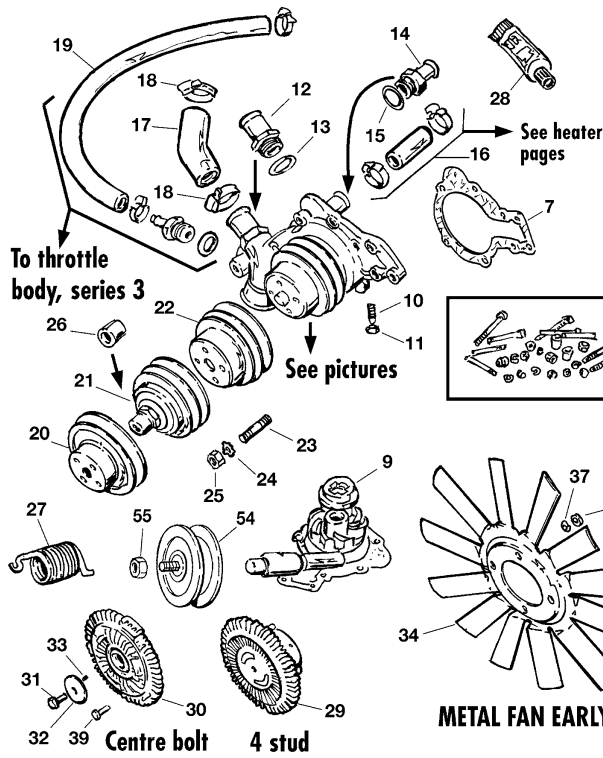


Jaguar XJ6 & XJ12 • Daimler Sovereign & Double Six Cooling XJ6, radiators and hoses



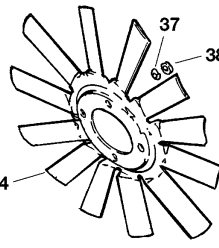
ILL N°	PART N°	QTY	DESCRIPTION	APPLICATION
1	060.185	1	Radiator	2.8, Series 1, up to 1G51965
	060.186	1	Radiator	2.8, Series 1, from 1G51966 and all Series 2 with 2.8 eng.
2	061.692	1	Header tank	
3	061.089	1	Radiator cap 13Lbs	
4	061.504	1	Radiator drain tap	
5	168.101	A/R	Washer	
6	061.441	4	Mounting pad	
7	161.337	2	Lock nut	
8	062.458	1	Top hose	XJ6, 2.8 Series 1 & 2
9	062.459	1	Bottom hose RH	XJ6, 2.8 Series 1 & 2
10	062.301	1	Bottom hose LH	All
11	062.306	1	Hose, radiator to header tank	
12	062.286	1	Hose, header tank to thermostat housing	
13	062.005	1	Drain hose	
14	061.698	1	Transmission cooler	
15	060.153	1	Radiator	4.2 Series 1, 1L50001 on
	060.154	1	Radiator	4.2 Series 2, with A/C, up to 8L10300
	060.189	1	Radiator	4.2 Series 2, with A/C, 8L10301 to 8L15223
	060.187	1	Radiator	4.2 & 3.4 Series 2, with A/C, 8L15224 to 2T22972 / 2S50581 / 3C50011 / 3B50004
	060.191	1	Radiator	4.2 & 3.4 Series 2, with A/C, 2T22973 / 2S50582 / 3C50012 / 3B50005, up to Series 3
16	062.297	1	Top hose	1968-1979
	062.298	1	Top hose	1979-1981, from VIN 2T69451 to 330665
17	062.302	1	Bottom hose RH	3.4 / 4.2
18	062.307	2	Hose thermostat housing to expansion tank, some models cut to length	
19	061.437	1	Fan sensor (auxiliary fan)	Up to 1981
20	061.217	1	Sealing ring	
21	061.565	1	Header tank	Early Series

ILL N°	PART N°	QTY	DESCRIPTION	APPLICATION
22	061.089	1	Radiator cap 13Lbs	
23	061.693	1	Header tank	Late Series 2 & early Series 3 VIN 310613 up to 330665
24	061.684	1	Radiator cap 15Lbs	
25	061.699	1	Overflow tank,	
26	061.700	1	Cap overflow tank	
27	061.701	1	Hose and grommet	
28	060.188	1	Radiator	4.2 & 3.4 Series 3 with A/C, up to VIN33029 / 329483
	060.155	1	Radiator	4.2 Series 3 with A/C, VIN330299 up to 330665
	060.190	1	Radiator	4.2 / 3.4 Series 3 with A/C, VIN330300 / 329484 on
29	061.730	4	Mounting pad	
30	062.299	1	Top hose	1981-1987, VIN 2T330666 on
31	061.437	1	Fan Sensor (auxiliary fan)	1981 on
32	062.460	2	Hose to metal pipe on top off radiator	
33	061.457	1	Probe, low coolant, early models fits in radiator, later in header tank	
34	061.456	1	Bush, to fit probe	
35	061.703	1	Header tank	Late Series 3, VIN 330666 on
36	061.673	1	Radiator cap 16Lbs	
37	062.304	1	Hose, header tank	
38	061.807	1	Overflow tank	
39	135.629	1	Screw kit 160 pieces: 40screws, 40 nuts, 40 plain washers & 40 spring	
40	186.159	6	5L Anti freeze coolant, all season protection up to -25°C	
41	172.265	A/R	Clamp, use 2 for each hose	
42	012.057	1	Thermostat 82° C	Up to March 1979
	012.085	1	Thermostat 88° C	1979on (fuel injection)
43	016.848	1	Gasket, thermostat housing, most common	
44	116.169	1	Gasket, thermostat housing	2.8 from E 7G5021
45	061.138	1	Filler cap, non pressure, fits on engine	
46			See Tool & accessories cat. 190.058	

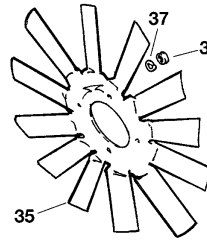


A/C = Air conditioning

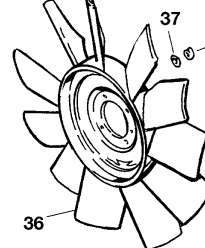
EARLY



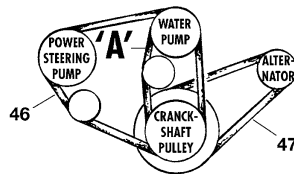
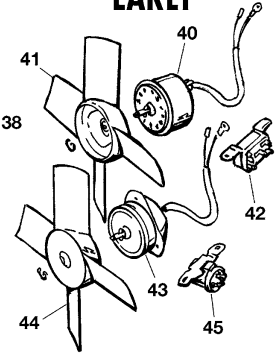
METAL FAN EARLY



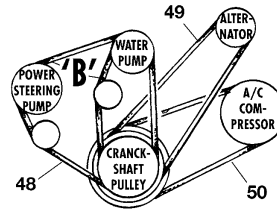
METAL FAN LATE



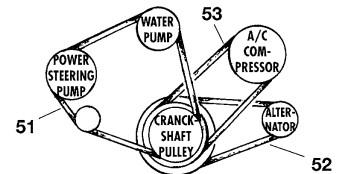
PLASTIC FAN



Series 1, 2.8 & 4.2



Series 2, 3.4 & 4.2, series 3, 3.4



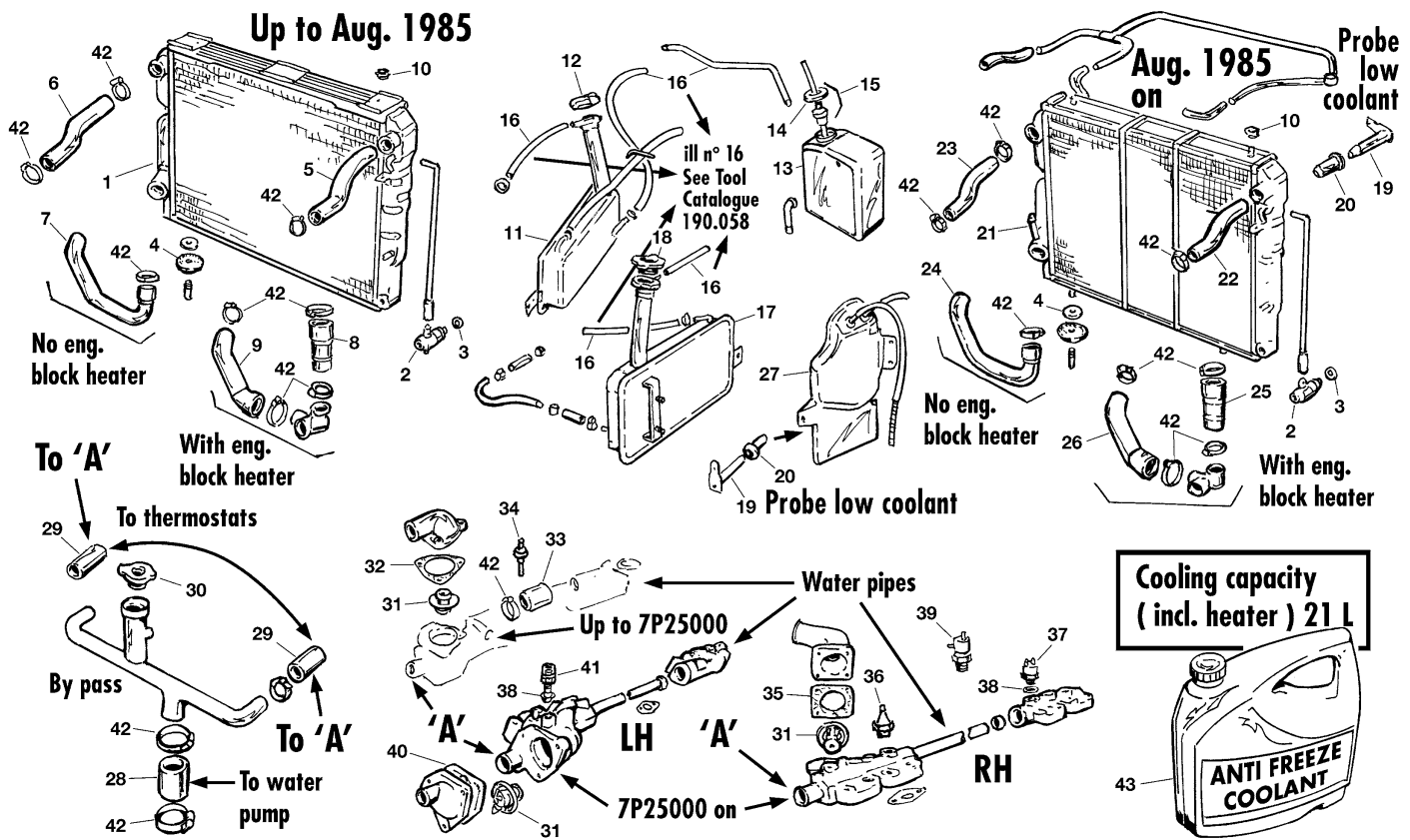
Series 3, 4.2

ILL N°	PART N°	QTY	DESCRIPTION	APPLICATION
1	061.707	1	Water pump, single pulley with 4 thread holes	2.8, up to Eng. 7G25037
2	061.708	1	Water pump, single pulley with 4 thread holes	2.8, from Eng. 7G25038
3	061.507	1	Water pump, single pulley with 4 thread holes	4.2, Series 1
4	061.401	1	Water pump, double pulley with centre thread hole	4.2 / 3.4 Series 2
5	061.401	1	Water pump, double pulley with centre thread hole	4.2 / 3.4 Series 3
6	061.402	1	Water pump, double pulley with 4 thread holes, used with plastic fan	4.2 / 3.4 Series 3
7	016.784	1	Gasket	
8	017.270	1	Universal fitting kit for water pump, studs, bolts, washers & nuts	
9	061.572	1	Water pump repair kit, contains, bearing, seal, impeller & gasket	
10	165.431	1	Locating screw	
11	161.362	1	Lock nut	
12	061.546	1	Adaptor, water outlet by-pass	2.8
	061.625	1	Adaptor, water outlet by pass	4.2
13	168.287	1	Washer, sealing	
14	063.390	1	Adaptor, heater outlet	
15	168.197	1	Washer, sealing	
16			See heater pages	
17	062.461	1	By-pass hose	2.8
	062.310	1	By-pass hose	4.2 & 3.4, up to Series 3, VIN 330665, May 1982
	062.311	1	By-pass hose	4.2 & 3.4 Series 3, VIN 330666 on
18	172.265	2	Clamp	
19	062.309	1	Hose, to throttle body	Series 3
20	061.655	1	Pulley, Series 1	
21	061.658	1	Pulley, with metal fan, centre bolt fixing	Series 2 & 3
22	061.704	1	Pulley, with plastic fan fitted with 4 bolts	Series 3
23	167.376	4	Stud, fixing viscous coupling to water pump	
24	164.060	4	Washer shake proof	
25	161.002	4	Nut	
26	061.705	1	Bush, clamping, centre bolt water pump	
27	171.137	1	Spring, belt tensioning	
28	016.269	1	Gasket sealant	

ILL N°	PART N°	QTY	DESCRIPTION	APPLICATION
29	061.477	1	Viscous coupling, fixed with 4 studs/nuts on the water pump / fan fixed with 4 bolts on the viscous coupling	
30	061.183	1	Viscous coupling, fixed with 1 centre bolt on the water pump / fan fixed with 4 bolts on the viscous coupling	
31	166.350	1	Bolt	
32	163.411	1	Washer, plain	
33	173.105	1	Pin, locking	
34	061.671	1	Fan, metal, A/C	4.2 Series 1 & 2 up to Eng. 7L85098 and all 2.8 models
35	061.474	1	Fan, metal, A/C	4.2 Series 2 & 3, 4.2 from Eng. 7L85099
36	061.709	1	Fan, plastic, A/C	Series 3, 4.2 & 3.4
37	164.002	4	Washer, spring	
38	161.002	4	Nut	
39	166.351	4	Bolt, only with centre bolt fixing viscous coupling Ill. No. 30	
40	082.209	1	Fan motor	Early Series 1 models
41	061.710	1	Fan	
42	083.120	1	Relay	
43	082.210	1	Fan motor	Later Series and all Series 2 & 3
44	061.706	1	Fan	
45	083.992	1	Relay	
46	061.521	1	Fan belt, water pump	Series 1, 2.8, servo
	061.522	1	Fan belt, water pump, see 'A'	Series 1, 2.8, NO servo
	061.524	1	Fan belt, water pump	Series 1, 4.2, servo
47	061.523	1	Fan belt, alternator	Series 1, 2.8
	061.527	1	Fan belt, alternator	Series 1, 4.2
48	061.524	1	Fan belt, water pump	Series 2, 3.4 / 4.2 Series 3 3.4, servo
	061.685	1	Fan belt, water pump, see 'B'	Series 2, 3.4 / 4.2, NO servo
49	061.527	1	Fan belt, alternator	Series 2, 3.4 / 4.2 Series 3, 3.4
50	061.687	1	Fan belt, aircop pump	Series 3, 3.4 / 4.2 Series 3, 3.4
51	061.524	1	Fan belt, water pump	Series 3, 4.2, servo
52	061.523	1	Fan belt, early alternator	Up to VIN326017
	061.190	1	Fan belt, late alternator	VIN326018 on
53	061.687	1	Fan belt, aircop pump	
54	061.492	1	Jockey pulley	
55	161.021	1	Locking nut	

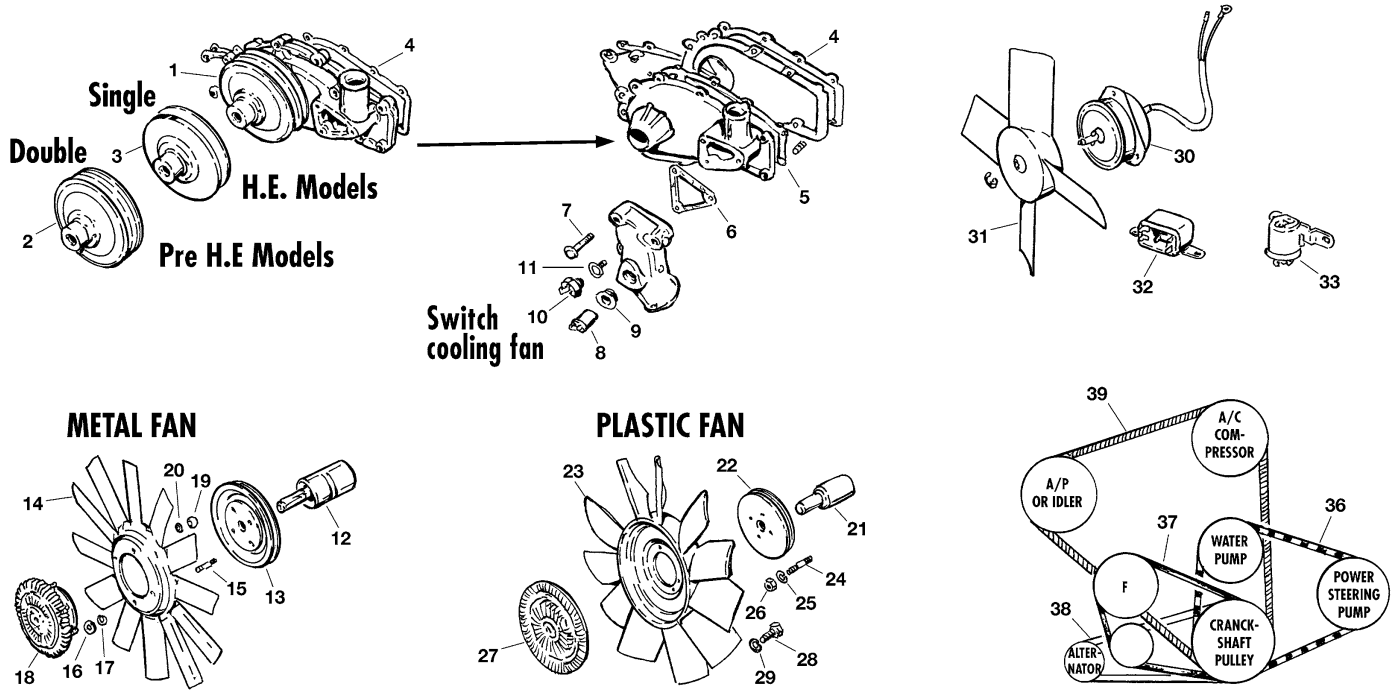


Jaguar XJ6 & XJ12 • Daimler Sovereign & Double Six Cooling XJ12, radiators and hoses



ILL N°	PART N°	QTY	DESCRIPTION	APPLICATION
1	060.192	1	Radiator	Series 1
	060.123	1	Radiator	Series 2
	060.193	1	Radiator	Series 3, Up to VIN 326519
	060.194	1	Radiator	Series 3, from VIN 326520 up to 1985 (HE models)
2	061.504	1	Radiator drain tap	
3	168.101	A/R	Washer	
4	061.702	4	Mounting pad	
	062.462	1	Top hose RH	Series 1
	062.463	1	Top hose RH	Series 2 & 3
6	062.464	1	Top hose LH	Series 1
	062.465	1	Top hose LH	Series 2 & 3
7	062.466	1	Bottom hose	
8	062.467	1	Bottom hose, vertical	Series 1
	062.468	1	Bottom hose, vertical	Series 2/3
9	062.469	1	Bottom hose, 30°	Series 1
	062.475	1	Bottom hose, 30°	Series 2/3
10	122.003	2	Grommet	
11	061.711	1	Header tank	Series 1 & early S2
	061.672	1	Header tank	Late Series 2 & Series 3 up to VIN326519
12	061.089	1	Radiator cap 13Lbs	
	061.684	1	Radiator cap 16Lbs 13	
13	061.699	1	Overflow tank	Up to VIN326519
14	061.700	1	Cap overflow tank	
15	061.701	1	Hose and grommet	
16			See tool catalogue	
17	061.712	1	Header tank	Series 3 VIN326520 up to Aug 1985
	061.695	1	Header tank	Series 3, 1985 on
18	061.713	1	Radiator cap	
19	061.457	1	Probe, low coolant	Series 3
20	061.456	1	Bush, to fit probe	
21	060.195	1	Radiator	Series 3, 1985 on
22	062.463	1	Top hose RH	
23	062.465	1	Top hose LH	

ILL N°	PART N°	QTY	DESCRIPTION	APPLICATION
24	062.466	1	Bottom hose	
25	062.468	1	Bottom hose, vertical	
26	062.475	1	Bottom hose, 30°	
27	061.807	1	Overflow tank	
28	062.470	1	Hose by-pass	Series 1
	062.471	1	Hose by-pass	Series 2 & 3
29	062.472	2	Hose, to water pipes	Series 1
	062.473	2	Hose, to water pipes	Series 2 & 3
30	061.138	1	Filler cap	Up to Eng. 7P25000
31	012.057	1	Thermostat 82° C	
32	016.787	1	Gasket, thermostat	Up to Eng. 7P25001
33	062.474	1	Hose, water pipe	
34	088.105	1	Transmitter, water temperature	
35	016.788	1	Gasket, thermostat	
36	088.658	1	Transmitter, water temperature	Eng.7P25001 up to 7P45000
	088.105	1	Transmitter, water temperature	Eng.7P45001 on
37	088.282	1	Switch, thermo time, RH	Eng.7P25001 up to 7P31112
	088.283	1	Switch, thermo time, RH	Eng.7P31113 up to 7P42299
	088.110	1	Switch, thermo time, RH	Eng.7P42299 up to Aug 1985
	017.194	1	Switch, thermo time, RH	Aug 1985 on
38	168.210	1	Washer, copper	
39	018.180	1	Valve, vacuum	Aug 1985 on
40	016.789	1	Gasket, thermostat	Eng.7P25001 up to Aug 1985
	116.172	1	Gasket, thermostat	Aug 1985 on
41	088.295	1	Switch, thermo time, LH	Eng.7P25001 up to 7P42299
	088.279	1	Switch, thermo time, LH	Eng.7P42300 up to 7P45000
	086.876	1	Switch, thermo time, LH	Eng.7P45001 on
42	172.265	A/R	Clamp, use 2 for each hose	
43	186.159	6	5L Anti freeze coolant, all season protection up to -25°C	



HE = High Efficiency. The greatest change to the V12 engine came in 1981 with the introduction of HE engine. Michael May from Antipollution Industrial Research developed a revised cylinder head design (known as the fireball) for a better fuel economy.

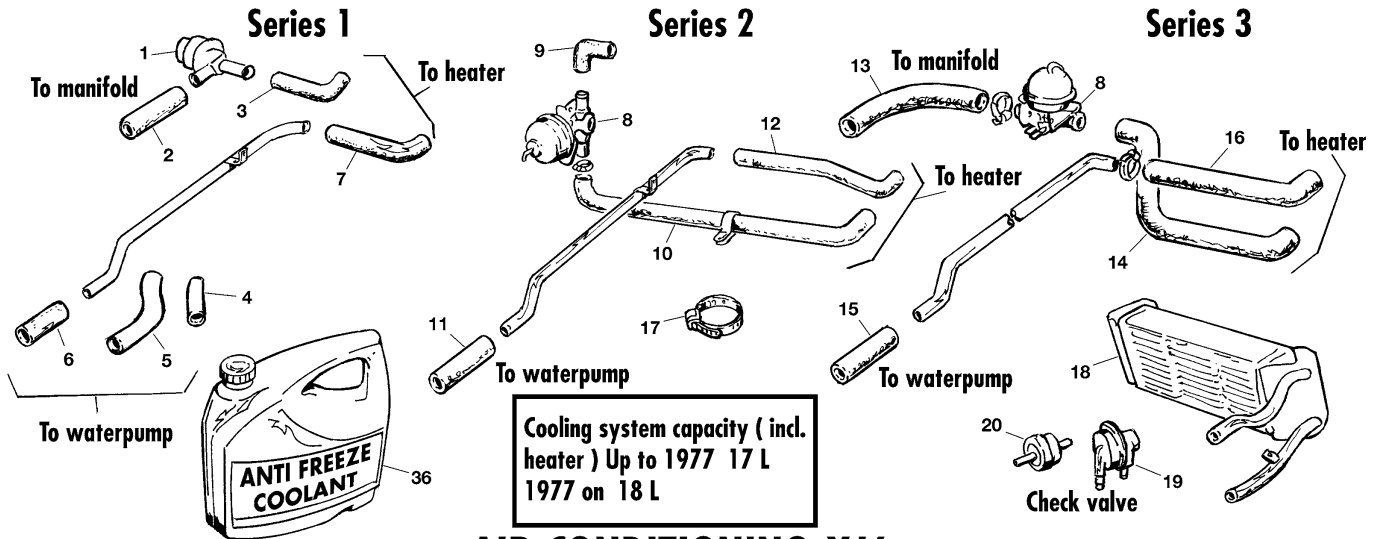
ILL N°	PART N°	QTY	DESCRIPTION	APPLICATION
1	061.714	1	Water pump assembly, with double pulley	Pre H.E. models, up to 1981
	061.715	1	Water pump assembly, with single pulley	H.E. models, 1981 on
2	061.716	1	Pulley, double	Up to 1981
3	061.717	1	Pulley, single	1981 on
4	016.785	1	Gasket, water pump and plate to engine	
5	016.786	1	Gasket, water pump to plate	
6	116.187	1	Gasket, elbow to water pump	
7	162.519	3	Bolt, elbow to water pump	
8	061.718	1	Switch, cooling fan	Series 1 & 2
9	104.268	1	Grommet, switch	
10	088.111	1	Switch, cooling fan	Series 3
11	168.276	1	Washer, sealing	
12	061.719	1	Spindle & bearing, idler bearing, metal fan type	
13	061.720	1	Pulley	Up to 7P28177
	061.721	1	Pulley	From 7P28178
14	061.473	1	Fan, metal, fixed with 4 studs & nuts on the viscous coupling	Up 7P28177, Series 1 & early Series 2
	061.474	1	Fan, metal, fixed with 4 bolts & nuts on the viscous coupling	7P28178 on, late Series 2
15	167.437	4	Stud, viscous coupling to idler	
16	161.002	4	Nut, viscous coupling to pulley	
17	164.060	4	External tooth shake proof washer	
18	061.670	1	Viscous coupling, fixed with 4 studs/nuts on the idler/fan fixed with 4 nuts on the viscous coupling	Up to 7P28177
	061.183	1	Viscous coupling, fixed with 1 centre bolt on the idler, fan fixed with 4 bolts on the viscous coupling	7P28178 on

ILL N°	PART N°	QTY	DESCRIPTION	APPLICATION
19	161.002	4	Nut, fan to viscous coupling	
20	164.060	4	External tooth shake proof washer	
21	061.476	1	Spindle & bearing, idler bearing, plastic fan type	
22	061.722	1	Pulley	
23	061.475	1	Fan, plastic	
24	167.437	4	Stud, viscous coupling to idle	
25	164.060	4	External tooth shake proof washer	
26	161.002	4	Nut, viscous coupling to pulley	
27	061.723	1	Viscous coupling	Eng. 7P42300 to 7P45000
	061.724	1	Viscous coupling	Eng. 7P45001 to VIN354543
	061.566	1	Viscous coupling	VIN354544 on
28	081.026	4	Screw, fan to viscous coupling	
29	164.060	4	External tooth shake proof washer	
30	082.249	1	Fan motor	
31	061.688	1	Fan	
32	083.120	1	Relay	Series 1 & 2
33	083.992	1	Relay	Series 3
36	061.725	1	Fan belt, water pump	Series 1 & 2, servo
	061.123	1	Fan belt, water pump	Series 3, servo
37	061.519	1	Fan belt, to fan (idler/remote)	
38	061.726	1	Fan belt, to alternator	Series 1 & 2
	061.523	1	Fan belt, to alternator	Series 3
39	061.531	1	Fan belt, airco pump and idler or air	
	061.727	1	Fan belt, airco pump and idler or air pump, fuel injection cars	Series 2
	061.530	1	Fan belt, airco pump and idler or air pump	Series 3

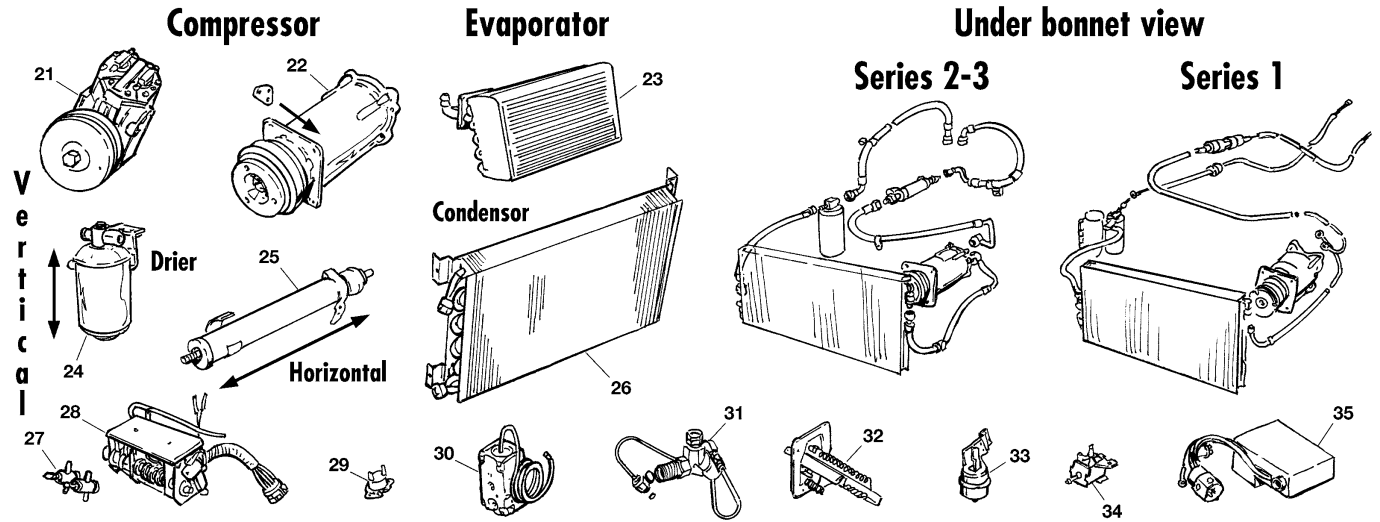


Heater and air conditioning XJ6

HEATER XJ6



AIR CONDITIONING XJ6

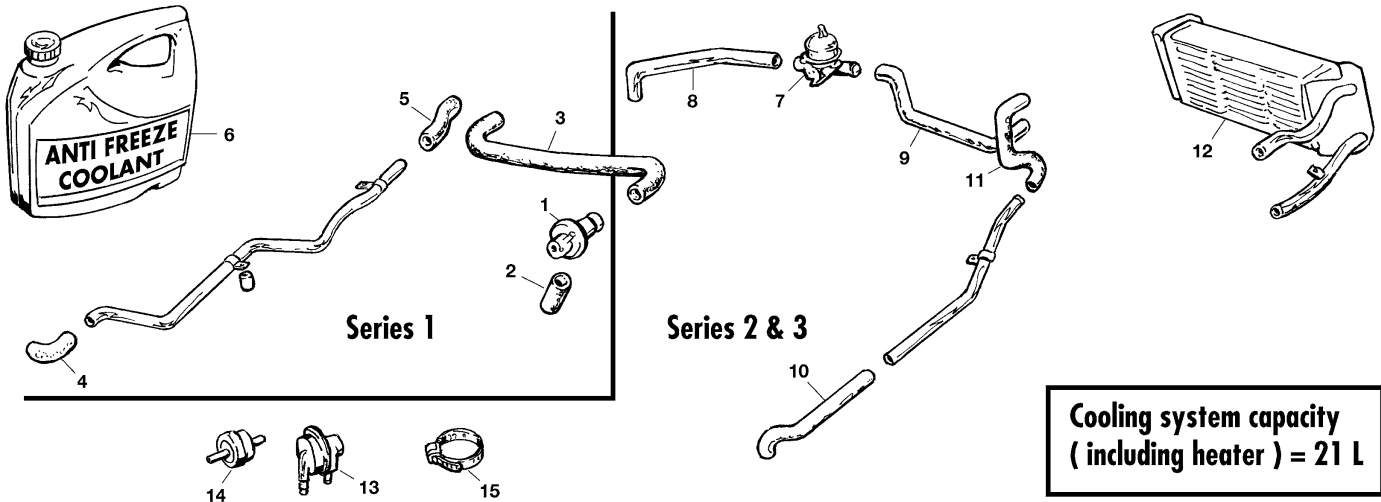


ILL N°	PART N°	QTY	DESCRIPTION	APPLICATION
1	063.622	1	Heater valve	Series 1
2	062.476	1	Hose, straight	Early models
	062.477	1	Hose, curved	Later models
3	062.478	1	Hose, valve to heater	2.8
	062.479	1	Hose, valve to heater	4.2
4	062.480	1	Hose, pump to pipe	2.8, to Eng. 7G16692
5	062.481	1	Hose, pump to pipe	2.8, from Eng. 7G16693
6	062.482	1	Hose, pump to pipe	4.2
7	062.483	1	Hose, pipe to heater	2.8
8	063.560	1	Heater valve	Series 2 & 3
9	062.485	1	Hose, valve to manifold	
10	062.486	1	Hose, valve to heater	
11	062.487	1	Hose, water pump to pipe	2.8
	062.308	1	Hose, water pump to pipe	4.2
12	062.488	1	Hose, pipe to heater	
13	062.489	1	Hose, manifold to valve	
14	062.490	1	Hose, valve to heater	
15	062.285	1	Hose, water pump to pipe	
16	062.491	1	Hose, pipe to heater	
17	172.039	A/R	Clamp, use 2 for each hose	
18	063.623	1	Heater matrix	Series 1
	063.439	1	Heater matrix	Series 2 & 3
19	063.624	1	Check valve	Series 1
20	063.625	1	Check valve	Series 2 & 3
21	065.049	1	Compressor, York type	Series 1
22	063.577	1	Compressor	Series 2 & 3 up to 1984, up to VIN 471856
	065.045	1	Compressor	Series 3 1984 on, VIN471857 on

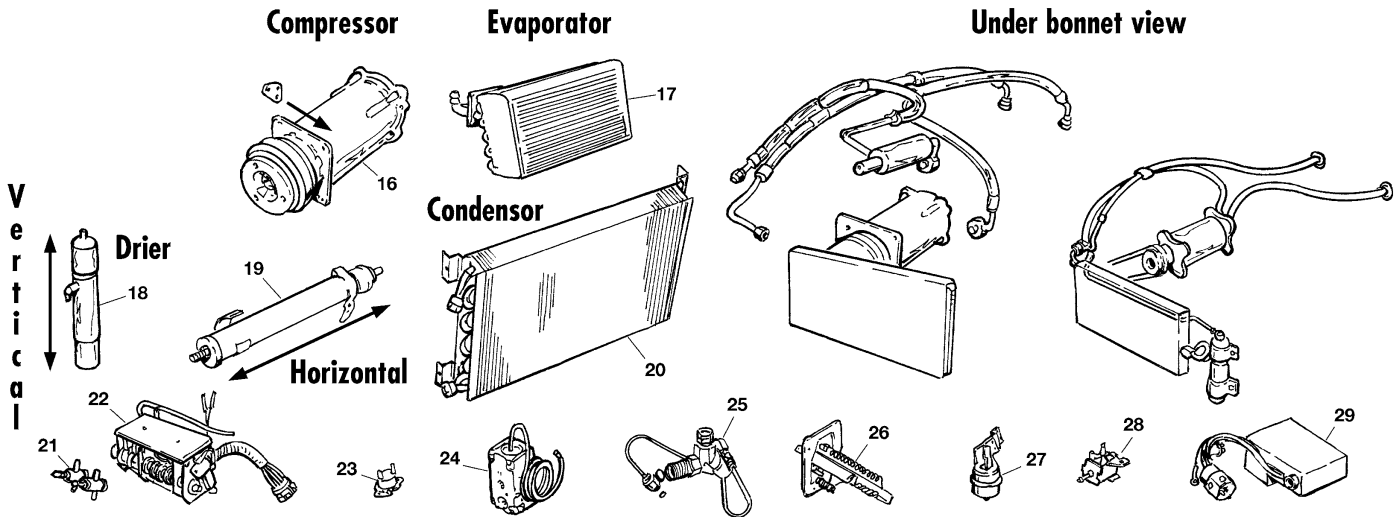
ILL N°	PART N°	QTY	DESCRIPTION	APPLICATION
23		1	Evaporator	Series 1
	065.050	1	Evaporator	Series 2, early models
	065.051	1	Evaporator	Series 2, late models and Series 3
24	065.052	1	Drier bottle, vertical type	Series 1 & 2
	065.006	1	Drier bottle, vertical type	Series 2, late models and early Series 3
25	065.004	1	Drier bottle, horizontal type, with flat connection	Series 2
	065.002	1	Drier bottle, horizontal type, with conical connection	Series 3
26			Condenser	Series 1 & 2
	060.097	1	Condenser	Series 3
27	065.053	1	Servo vacuum valve	Series 1 & 2
28	065.054	1	Servo assembly	Series 2 & 3
29	065.055	1	Air temperature thermostat	Series 2 & 3
30	065.056	1	Air temperature thermostat	Series 2
	065.057	1	Air temperature thermostat	Series 3
31	065.058	1	Expansion valve	Series 1
	065.012	1	Expansion valve	Series 2 early models
	065.059	1	Expansion valve	Series 2 late & Series 3
32	065.060	1	Resistor	Series 2 & 3
33	065.061	1	Actuator valve	Series 2 & 3
34	063.020	1	Vacuum valve	Series 2 & 3
35	088.685	1	Amplifier	Series 2 & 3
36	186.159	1	5L Anti freeze coolant, all season protection up to -25°C	



HEATER XJ12



AIR CONDITIONING XJ12



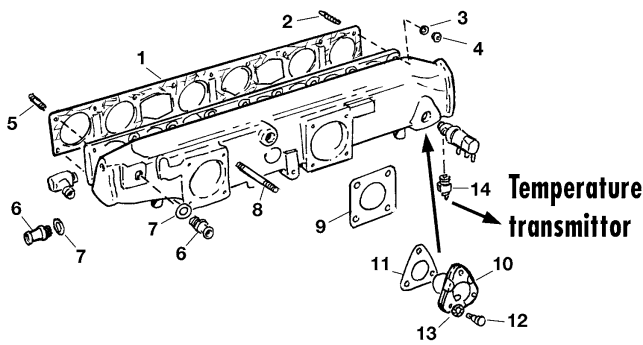
ILL N°	PART N°	QTY	DESCRIPTION	APPLICATION
1	063.622	1	Heater valve	Series 1
2	062.492	1	Hose, water pipe to valve	
3	062.571	1	Hose, valve to heater	
4	062.493	1	Hose, manifold to pipe	
5	062.494	1	Hose, pipe to heater	
6	186.159	1	5L Anti freeze coolant, all season protection up to -25°C	
7	063.560	1	Heater valve	Series 2 & 3
8	062.495	1	Hose, engine to valve	Early Series 2
	062.496	1	Hose, engine to valve	Late Series 2 and Series 3
9	062.490	1	Hose, valve to heater	
10	062.497	1	Hose, engine to pipe, straight	Early Series 2
	062.498	1	Hose, engine to pipe	Late Series 2 & early Series 3
	062.499	1	Hose, engine to pipe	Late Series 3
11	062.500	1	Hose, pipe to heater	
12	063.623	1	Heater matrix	Series 1
	063.439	1	Heater matrix	Series 2 and early Series, to VIN467652
	063.626	1	Heater matrix	Series 3, VIN467653on
13	063.624	1	Check valve	Series 1
14	063.625	1	Check valve	Series 2 & 3
15	172.039	A/R	Clamp, use 2 for each hose	
16	063.577	1	Compressor	Up to VIN471851
	065.045	1	Compressor	VIN471852 on

ILL N°	PART N°	QTY	DESCRIPTION	APPLICATION
17			Evaporator	Series 1
	065.051	1	Evaporator	Series 2 & Series 3 up to VIN467652
	065.048	1	Evaporator	Series 3 VIN467653 on
18	065.062	1	Drier bottle, vertical type	Series 1
19	065.004	1	Drier bottle, horizontal type, with flat connections	Series 2
	065.002	1	Drier bottle, horizontal type, with conical connection	Series 3
20			Condensor	Series 1 & 2
	060.097	1	Condensor	Series 3 up to VIN467652
	060.103	1	Condensor	Series 3 from VIN467653
21	065.053	1	Servo vacuum valve	Series 2 & 3
22	065.054	1	Servo assembly	Series 2 & 3
23	065.055	1	Air temperature thermostat	Series 1 & 2
24	065.056	1	Air temperature thermostat	Series 2
	065.057	1	Air temperature thermostat	Series 3
25	065.058	1	Expansion valve	Series 1
	065.012	1	Expansion valve	Series 2 early models
	065.059	1	Expansion valve	Series 2 late & Series 3 up to VIN467652
	065.063	1	Expansion valve	Series 3, VIN467653on
26	065.060	1	Resistor	Series 2 & 3
27	065.061	1	Actuator valve	Series 2 & 3
28	063.620	1	Vacuum valve	Series 2 & 3
29	088.685	1	Amplifier	Series 2 & 3

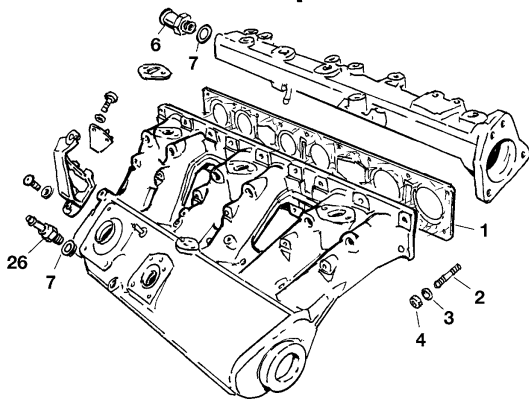


Air cleaners, inlet and exhaust manifolds XJ6

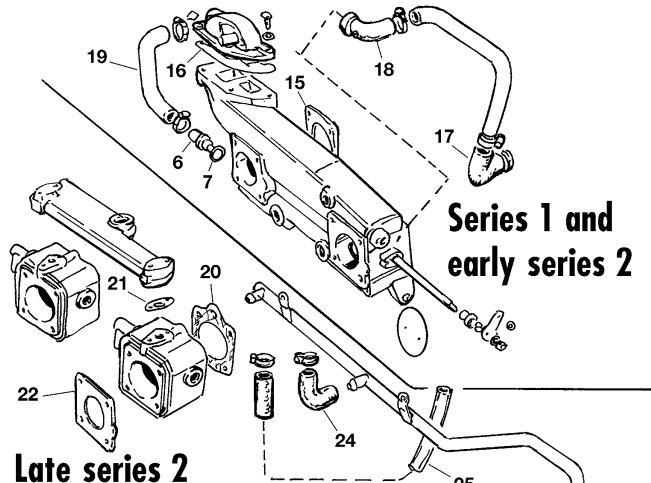
Inlet manifold HD8, HS8, HIF7 & Zenith



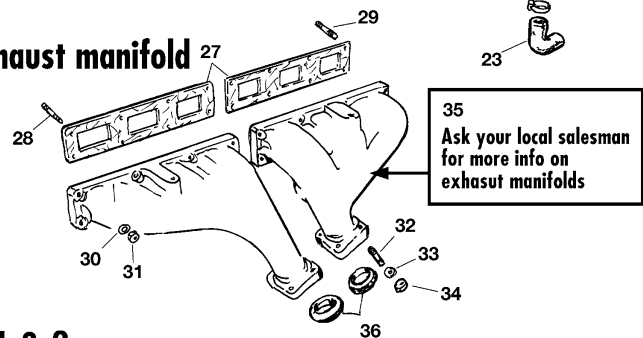
Inlet manifold injection



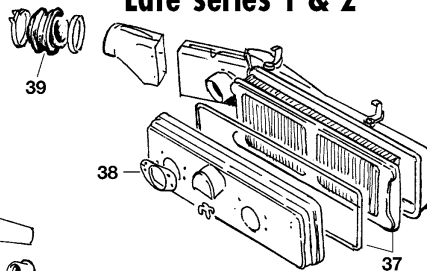
Secondary throttle housing, Zenith



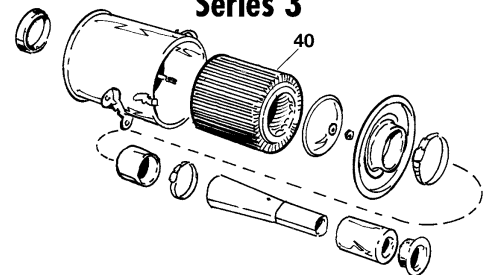
Exhaust manifold



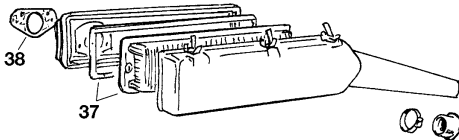
Late series 1 & 2



Series 3



Air cleaner early series 1

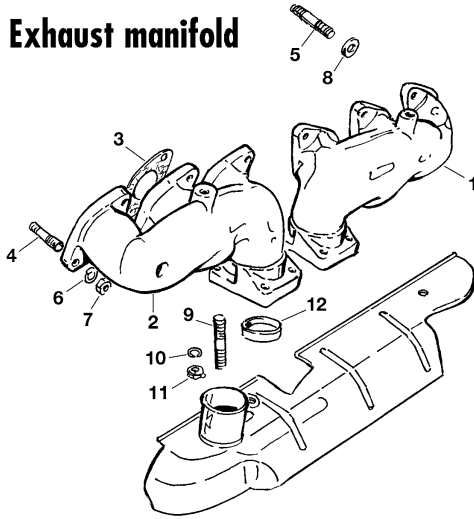


ILL N°	PART N°	QTY	DESCRIPTION	APPLICATION
1	016.709	1	Gasket, inlet manifold	
2	167.284	16/18	Stud	Series 3 use 18
3	164.002	18	Washer, spring	
	164.132	18	Washer, shakeproof	Series 3 with carburettor
4	161.002	18	Nut	
5	167.282	2	Stud	
6	063.390	1	Nipple	
7	168.197	1	Washer, sealing	
8	167.286	8	Stud, plain, most common	
9	016.485	4	Gasket	
	101.970	2	Spacer	
10	086.625	1	Choke thermo switch	
11	016.484	1	Gasket	
12	165.561	3	Screw	
13	164.016	3	Washer, shakeproof	
14	018.054	1	Temperature transmitter	
15	116.178	2	Gasket, throttle housing to manifold	
16	116.179	1	Gasket, hot water	
17	062.480	1	Hose	
18	062.493	1	Hose	
19	062.338	1	Hose	
20	116.180	2	Gasket, water heated inlet manifold	
21	116.181	2	Gasket, water manifold	
22	103.403	2	Gasket/spacer, carburettor to manifold	

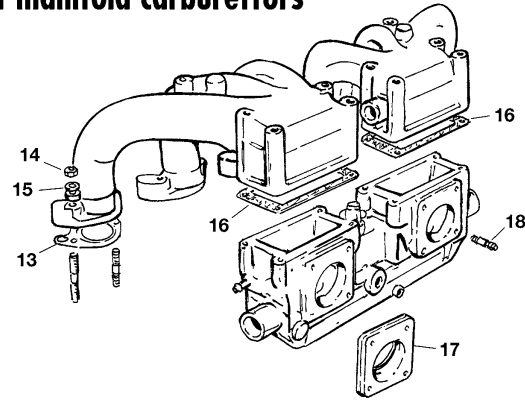
ILL N°	PART N°	QTY	DESCRIPTION	APPLICATION
23	062.501	1	Hose	
24	062.502	2	Hose, pipe to manifolds	
25	062.503	2	Hose, pipe to manifolds	
26	011.315	1	Adaptor, brake servo	
27	016.586	2	Gasket, exhaust manifolds	
28	167.284	14/16	Stud	Series 3 use 16
29	167.381	2	Stud	
30	164.002	16	Washer, spring	
31	161.030	16	Nut, brass	
32	167.288	8	Stud 3/8", most common	
	167.290	8	Repair stud 7/16"-3/8", use drill 200.563 & tap 200.476	
	167.372	8	Stud, long, some models	
33	163.005	8	Washer, plain	
34	161.006	8	Nut, brass	
35			Ask your salesman about exhaust manifolds	
36	016.730	2	Gasket, sealing	
37	101.160	1	Air filter element, carburettor models	
38	016.487	2/4	Gasket, air cleaner to carburettor, HD8, HS8	
	116.297	2/4	Gasket, air cleaner to carburettor, HIF7	
	016.249	2	Gasket, air cleaner to carburettor, Zenith	USA models
39	108.332	1	Rubber bellows	
40	108.268	1	Air filter, injection models	



Exhaust manifold

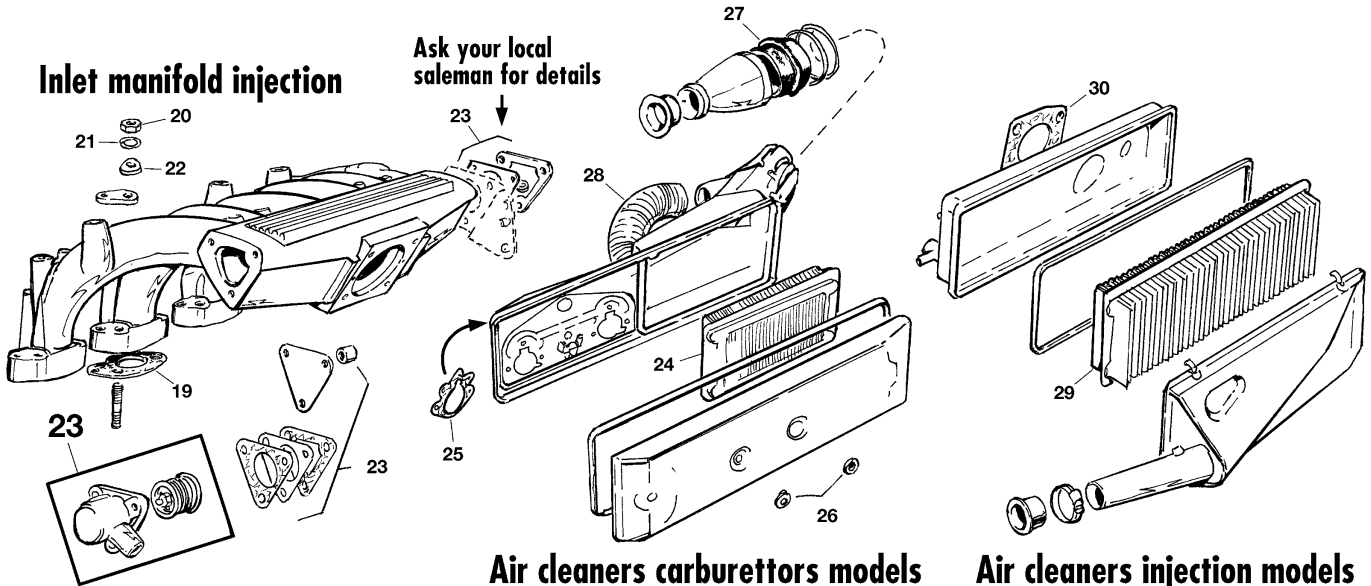


Inlet manifold carburettors



Inlet manifold injection

Ask your local salesman for details



Air cleaners carburettors models

Air cleaners injection models

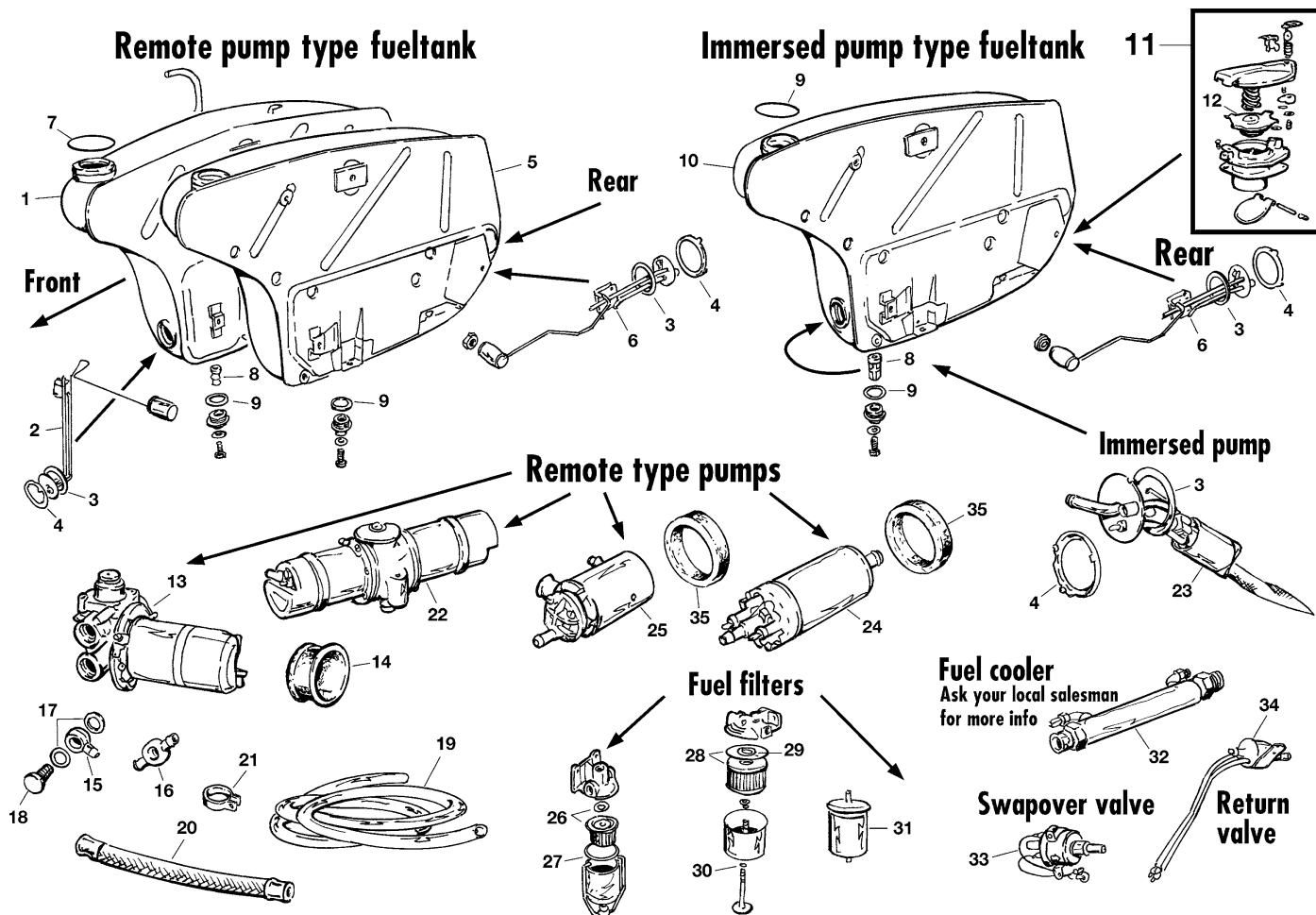
ILL N°	PART N°	QTY	DESCRIPTION	APPLICATION
1	110.766	1	Exhaust manifold RH/FR	Series 1 & 2
	110.770	1	Exhaust manifold RH/FR	Series 3
	110.767	1	Exhaust manifold LH/FR	Series 1 & 2
	110.771	1	Exhaust manifold LH/FR	Series 3
2	110.768	1	Exhaust manifold RH/RR	Series 1 & 2
	110.772	1	Exhaust manifold RH/RR	Series 3
	110.769	1	Exhaust manifold LH/RR	Series 1 & 2
	110.773	1	Exhaust manifold LH/RR	Series 3
3	016.840	12	Gasket, manifold to cylinder head	
4	167.295	22/24	Stud	Eng.7P25001 up to 7P47586 use 24
	167.420	24	Stud	Eng.7P47587 on
5	167.438	2	Stud	Up to Eng.7P25000
6	164.002	2	Washer, spring	
	161.030	24	Nut, brass	Up to Eng. 7P47586
7	161.866	24	Nut, special	Eng. 7P47587 on
	163.001	2	Washer, plain	
9	167.288	16	Stud	Series 1 & 2
	167.373	16	Stud	Series 3
10	163.005	16	Washer, plain	
	161.006	16	Nut, brass	

ILL N°	PART N°	QTY	DESCRIPTION	APPLICATION
12	016.730	4	Gasket, sealing	
13	116.112	12	Gasket, inlet manifold	
14	161.002	24	Nut	
15	164.132	24	Washer, shakeproof	
16	116.111	4	Gasket, plenum	
17	103.403	4	Spacer, gasket	
18	167.282	16	Stud, carburettors to plenum	
19	116.182	12	Gasket, inlet manifold	
	161.002	24	Nut	Up to Eng. 7P47586
20	161.376	24	Nut, M8	Eng. 7P47587 on
	164.132	24	Washer, shakeproof	
22	081.998	12	Distance piece	
23			Ask for details	
24	108.776	2	Air filter element, carburettor models	
25	116.183	4	Gasket, air cleaner to carburettor	
26	122.495	4	Grommet, sealing	
27	108.347	2	Rubber bellows	
28	108.788	2	Hose, hot air pick-up	
29	108.288	2	Air filter element, injection models	
30	116.184	2	Gasket, air cleaner to throttle body	



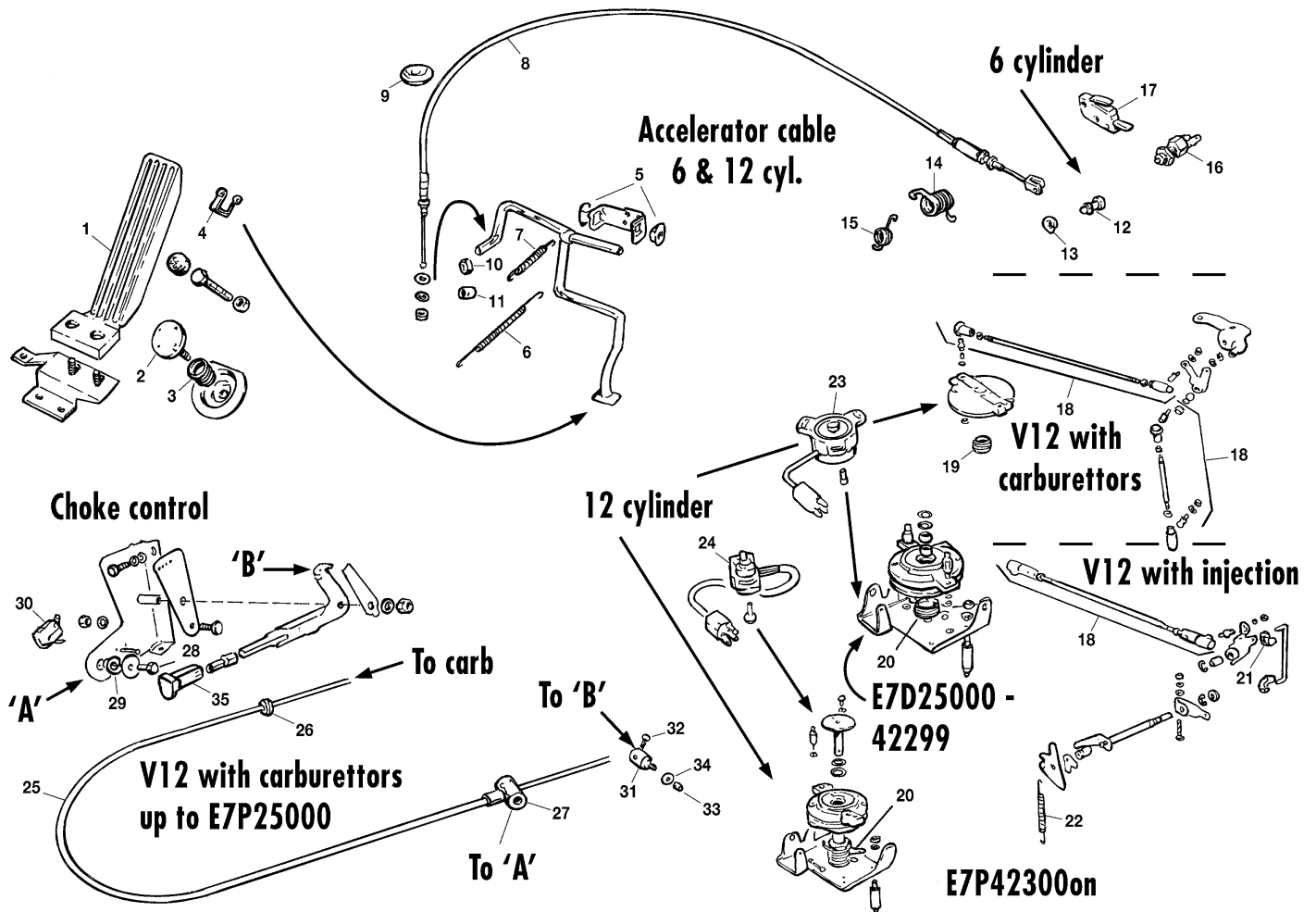
Jaguar XJ6 & XJ12 • Daimler Sovereign & Double Six

Fuel tanks, pumps and fuel filters



ILL N°	PART N°	QTY	DESCRIPTION	APPLICATION
1	100.073	1	Fuel tank, RH, fuel lever sender fits from front	Series 1
	100.074	1	Fuel tank, LH, fuel lever sender fits from front	Series 1
	100.077	1	Fuel tank, RH, fuel lever sender fits from front	Series 2
	100.078	1	Fuel tank, LH, fuel lever sender fits from front	Series 2
2	086.946	1	Fuel lever sender unit RH, front, (fits from wheel arch end)	
	086.947	1	Fuel lever sender unit LH, front, (fits from wheel arch end)	
3	101.060	2	Seal	
4	101.059	2	Locking ring	
5	100.081	1	Fuel tank, RH, fuel lever sender unit fits from rear	Series 3
	100.082	1	Fuel tank, LH, fuel lever sender unit fits from rear	Series 3
6	086.950	1	Fuel lever sender unit, RH, rear, (fits from rear lamp end)	
	086.951	1	Fuel lever sender unit, LH, rear, (fits from rear lamp end)	
7	108.602	2	Seal, tank top	Series 1 & early Series 2
	108.440	2	Seal, tank top	Later Series 2
8	108.442	2	Filter	
9	168.256	2	Seal	
9	108.440	2	Seal, tank top	
10	100.079	1	Fuel tank, RH, for immersed fuel pump	Series 2 & 3, 3.4
	100.080	1	Fuel tank, LH, for immersed fuel pump	Series 2 & 3, 3.4
11	233.023	2	Fuel tank cap assembly	All types
12	108.603	2	Seal	
13	101.052	2	Fuel pump, single, fits in boot	6 cylinder Series, 1 & 2 (carburettor models)
14	101.050	2	Mounting rubber	
15	133.291	A/R	Banjo, single, push-on	
16	102.845	A/R	Banjo, double, push-on	
17	102.080	A/R	Washer, fibre	

ILL N°	PART N°	QTY	DESCRIPTION	APPLICATION
18	102.079	A/R	Banjo bolt	
19	062.020	1	1 meter fuel hose, 7.9mm inner diameter	
	102.095	A/R	Braided fuel hoses, 3/16" I.D. - 6cm length	
	101.325	A/R	Braided fuel hoses, 3/16" I.D. - 19cm length	
	101.326	A/R	Braided fuel hoses, 3/16" I.D. - 25cm length	
21	172.863	A/R	Clamp, for fuel hose	
22	101.954	2	Fuel pump, double, fits in boot	12 cylinder Series 1 & 2, carburettors models
23	108.394	1	Fuel pump, immersed type, RH, fits in fuel tank	3.4 models Series 2 & 3
	108.395	1	Fuel pump, immersed type, LH, fits in fuel tank	3.4 models Series 2 & 3
24	108.598	1	Fuel pump, fits in boot	Series 3, 6 cyl. injection and 12 cyl. models with H.E. injection 1981 on
25	108.397	1	Fuel pump, fits in boot	12 cylinder models, pre H.E up to 1981
26	101.983	1	Fuel filter element, for glass type filter, placed in engine bay, 42mm dia.	6 cyl. early Series 1, 2.8 & 4.2
27	168.256	1	Seal	
28	108.291	1	Fuel filter element, for metal canister type filter, 60mm dia.	6 cyl. later Series 1 en 2
29	101.060	1	Seal, upper, large	
30	108.632	1	Seal, lower, small	
31	108.775	1	Fuel filter	6 cyl. Series 3 3.4 only
	108.774	1	Fuel filter	12 cyl. pre HE, Aug 1975 up to 1981
	108.292	1	Fuel filter	6 cyl. Series 3 4.2 March 1979 on, 12 cyl. HE 1981 on
32			Fuel cooler	Ask your local salesman
33	108.455	1/2	Fuel tank swap over valve	12 cyl. models use 2
	108.456	1	Fuel return valve, RH	
	108.457	1	Fuel return valve, LH	
35	108.612	1	Mounting rubber	

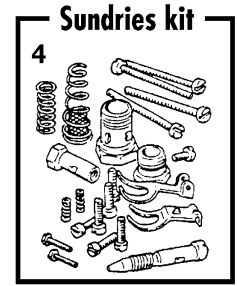
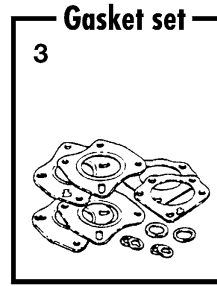
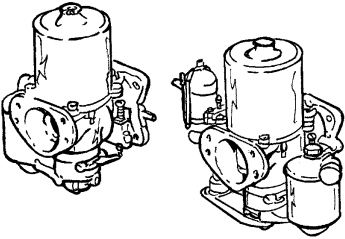


ILL N°	PART N°	DESCRIPTION	APPLICATION
1	108.464	1 Accelerator pedal	
2	108.792	1 Pedal stop	
3	171.168	1 Spring, pedal stop	
4	108.793	1 Spring, accelerator pedal to rod	
5	108.794	2 Bearing, nylon	
6	171.085	1 Spring, pedal return	Series 1 & 2
7	171.169	1 Spring, pedal return	Series 3
8	108.385	1 Accelerator cable	XJ6, Series 1 with manual & automatic g/box, and Series 2 2.8, 3.4 & 4.2 with manual g/box
	108.386	1 Accelerator cable	XJ6, Series 2 4.2 with automatic g/box up to E7L83800
	108.385	1 Accelerator cable	XJ6, Series 2 4.2 with automatic g/box E7L83801 on and 3.4 models with automatic g/box
	108.388	1 Accelerator cable	XJ6, Series 3 (injection)
	108.384	1 Accelerator cable	XJ12, Series 1 & 2 with carbs.
	108.389	1 Accelerator cable	XJ12, Series 2 en 3 with injection
9	122.015	1 Grommet	
10	108.795	1 Clip	Series 1
11	108.796	1 Clip	Series 2 & 3
12	173.158	1 Clevis pin	
13	173.159	1 Circlip	

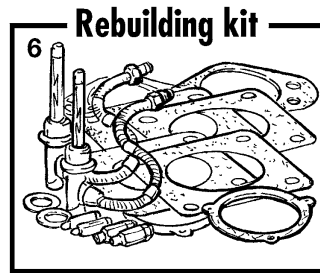
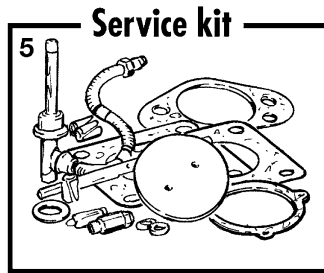
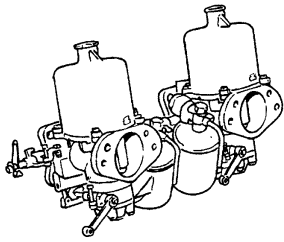
QTY	PART N°	QTY	DESCRIPTION	APPLICATION
14	107.188	1	Throttle lever return spring	Early
15	107.189	1	Throttle lever return spring	Late
16	088.691	1	Kick down switch	Early Series 1
17	088.035	1	Kick down switch	Later Series 1 and Series 2 & 3
18	101.957	1	13" link, ball joint kit, cut to length	
19	171.132	1	Spring, pedestal	Carburettor models
20	171.167	1	Spring, pedestal	Injection models
21	107.039	4	Clip, control rod	
22	107.190	2	Spring, throttle	All injection models
23	088.675	1	Throttle potentiometer switch	Up to Eng.7P61064
24	088.014	1	Throttle potentiometer switch	Eng. 7P61065 on
25	108.789	1	Choke cable	Carburettor models only
26	122.499	1	Grommet	
27	108.790	1	Pivot, outer cable	
28	162.822	1	Screw	
29	164.030	1	Double spring washer	
30	088.692	1	Switch, micro, choke warning light	Series 1
	088.693	1	Switch, micro, choke warning light	Series 2
31	108.797	1	Trunnion	
32	166.355	1	Screw, trunnion	
33	161.899	1	Nut	
34	102.056	1	Washer, plain	
35	108.798	1	Knob, choke lever	



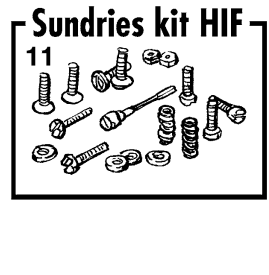
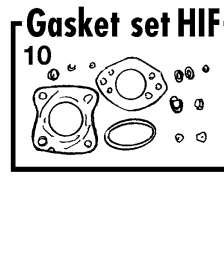
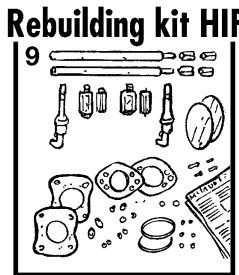
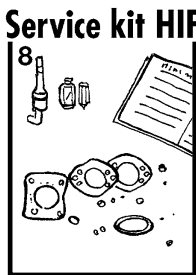
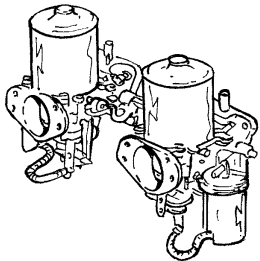
SU HD8



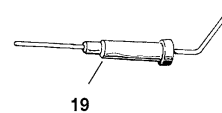
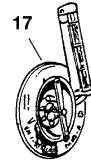
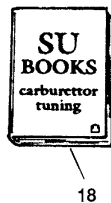
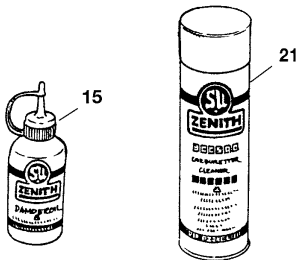
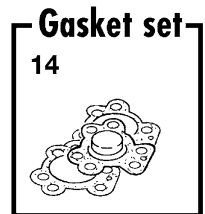
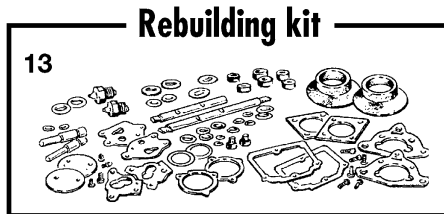
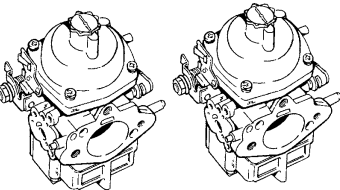
SU HS8



SU HIF7

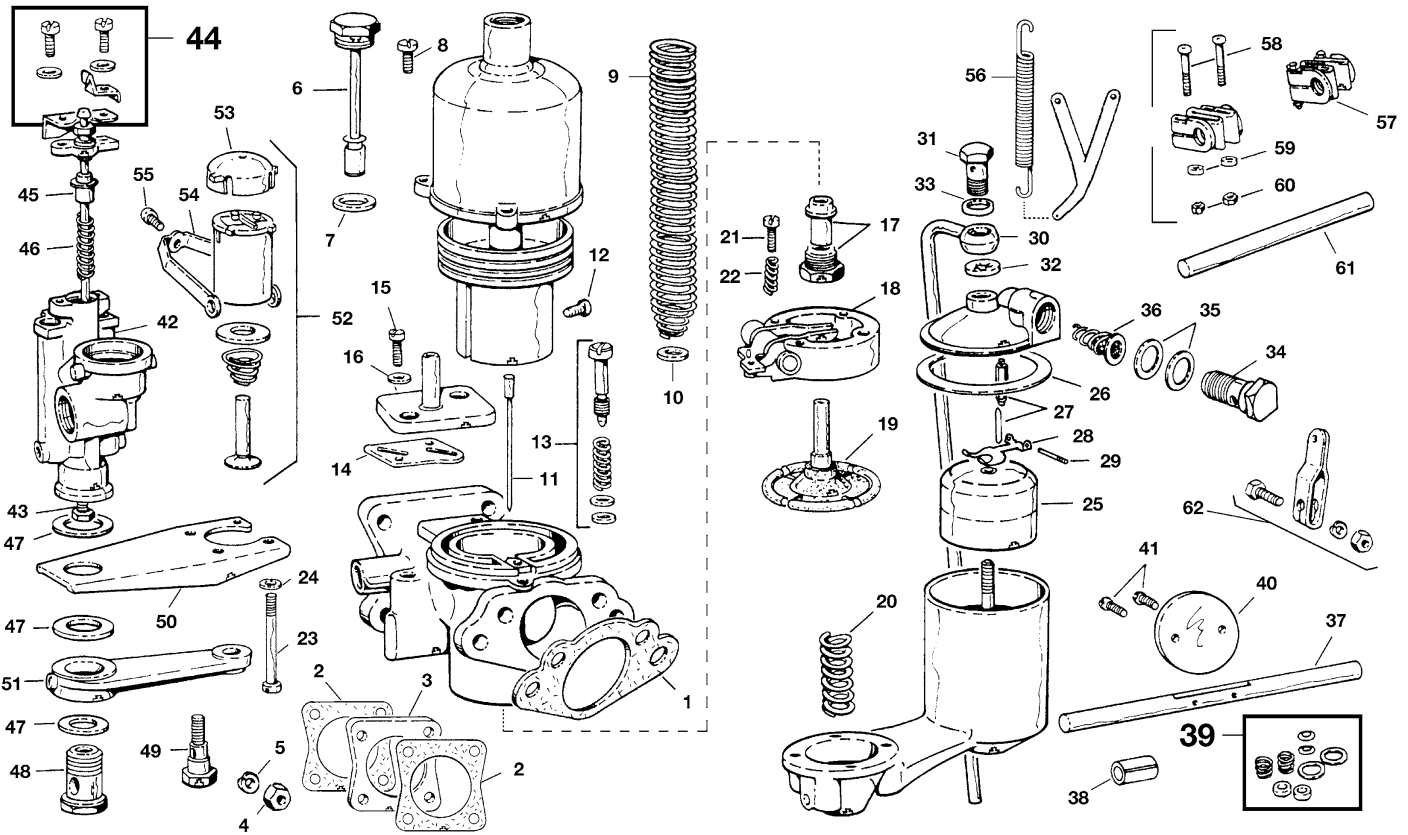


ZENITH STROMBERG



ILL N°	PART N°	QTY	DESCRIPTION	APPLICATION
1	102.711	2	Service kit for one HD8 carburettor	
2	102.512	2	Rebuilding kit for one HD8 carburettor	
3	102.714	2	Gasket set for one HD8 carburettor	
4	102.316	2	Sundries kit for one HD8 carburettor	
5	107.191	1	Service kit for one pair HS8 carburettors	
6	107.100	1	Rebuilding kit for HS8 carburettor, front	
	107.101	1	Rebuilding kit for HS8 carburettor, rear	
7	107.192	2	Gasket set for one HS8 carburettor	
8	107.193	2	Service kit for one HIF7 carburettor	
9	107.182	1	Rebuilding kit for one pair HIF7 carburettors	
10	102.536	2	Gasket set for one HIF7 carburettor	
11	102.260	2	Sundries kit for one HIF7 carburettor	
12	103.396	2	Service kit for one Zenith carburettor	XJ6 models
	103.401	4	Service kit for one Zenith carburettor	XJ12 models

ILL N°	PART N°	QTY	DESCRIPTION	APPLICATION
13	103.400	2	Rebuilding kit for one Zenith carburettor	XJ6 models
	103.402	1	Rebuilding kit for 4 Zenith carburettors	XJ12 models
14	103.022	2/4	Gasket set for one Zenith carburettor	XJ6 use 2, XJ12 use 4
15	330.070	1	Carburettor oil	
16	102.302	1	SU tool kit, only for HS8 carburettors	
17	200.572	1	Synchro tester	
18	190.225	1	Book, SU carburettors For maintaining tuning and restoration. Also includes SU fuel pump repair.	
19	200.656	1	Adjusting tool for Zenith carburettors	
20	190.428	1	Book, Zenith, Su and Weber carburettors For maintaining tuning and restoration	
21	198.015	1	Carburettor cleaner spray	

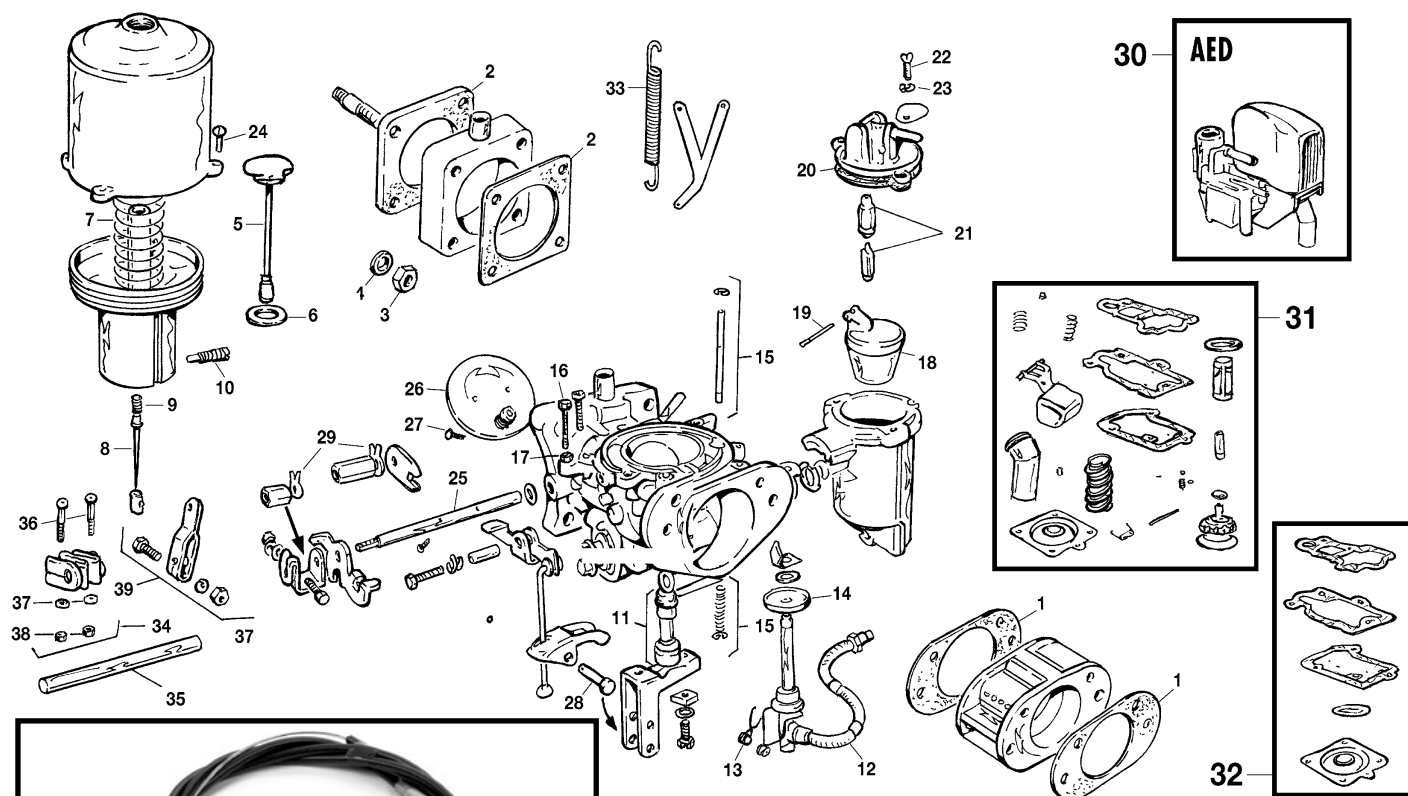


ILL N°	PART N°	QTY	DESCRIPTION	APPLICATION
1	016.487	2	Gasket	
2	016.485	4	Gasket	
3	101.970	2	Insulator, spacer, plain type	
4	161.002	8	Nut	
5	164.002	8	Washer, spring	
6	107.160	2	Damper with plastic cap	
7	102.080	2	Washer, fibre	
8	102.012	6	Screw, zinc plated	
9	102.983	2	Spring	
10	107.034	2	Washer	
11	107.194	2	Needle UVV	2.8 to Eng7G16407
	107.195	2	Needle UVX	2.8 from Eng7G16408
	102.639	2	Needle UM	4.2 engines
12	102.007	2	Screw, needle locking	
13	102.754	2	Slow running adjustment kit	
14	102.756	1	Gasket	
15	102.012	2	Screw	
16	164.015	2	Washer, spring	
17	102.746	2	Bearing kit, jet	
18	102.745	2	Housing for jet	
19	102.833	2	Jet assembly & diaphragm	
20	102.741	2	Spring	
21	102.044	2	Adjusting screw	
22	102.045	2	Spring	
23	102.767	8	Bolt, chamber mounting	
24	164.015	8	Washer, spring	
25	102.068	2	Float	
26	102.071	2	Gasket	
27	102.315	2	Needle & seat	
28	102.330	2	Lever	
29	102.074	2	Pin	
30	102.077	2	Overflow pipe, cut to length	
31	102.075	2	Cap nut, brass	

ILL N°	PART N°	QTY	DESCRIPTION	APPLICATION
32	102.078	2	Washer, fibre	
33	102.076	2	Washer, aluminium	
34	102.079	2	Banjo bolt	
35	102.080	4	Washer, fibre	
36	102.082	2	Filter	
37	102.840	2	Shaft, standard	
38	102.113	2	Repair bush kit, ream body to 9.5mm	
39	102.748	2	Seal kit for one carburettor shaft	
40	102.841	2	Disc	
41	102.050	4	Screw	
42	107.037	1	Thermostat body	
	108.910	1	Fuel hose kit, AED unit to carb/manifold	
43	102.761	1	Jet	
44	107.059	1	Dust shield fixing kit	
45	102.929	1	Accelerator needle	
46	102.770	1	Spring	
47	102.766	1	Washer kit	
48	102.079	1	Banjo bolt	
49	102.765	1	Banjo bolt	
50	102.763	1	Bracket	
51	102.764	1	Connection arm	
52	107.014	1	Solenoid assembly	
53	102.773	1	Cap, solenoid	
54	102.774	1	Strap	
55	103.286	1	Screw	
56	171.085	2	Throttle return spring	
57	102.324	2	Coupling assembly	
58	102.055	4	Bolt	
59	102.056	4	Washer, plain	
60	102.057	4	Nut	
61	102.627	1	Connection rod 9.5cm, cut to length	
62	107.022	2	Lever	



SU HS8 carburettor XJ6



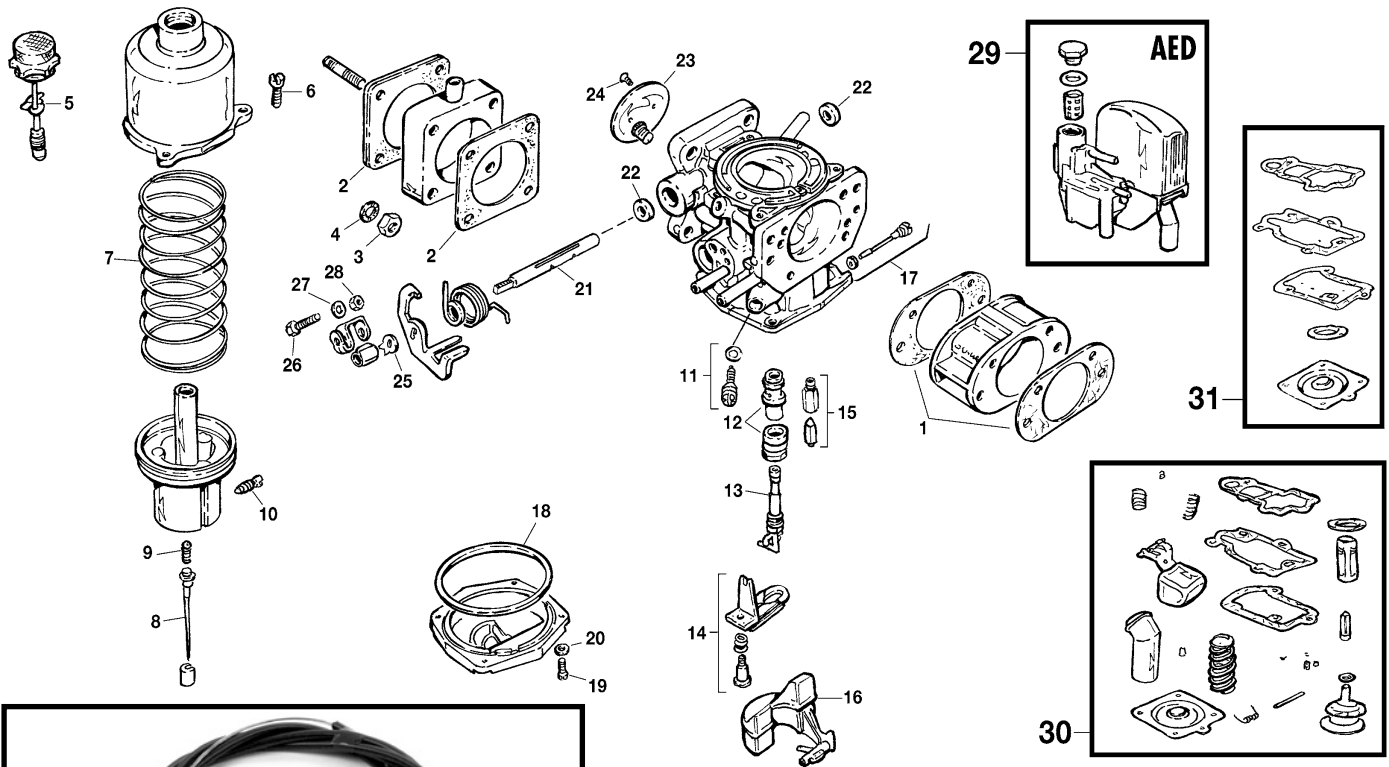
40

Choke conversion kit AED

AED = Automatic Enrichment Device

ILL N°	PART N°	QTY	DESCRIPTION	APPLICATION
1	016.487	4	Gasket	
2	016.485	4	Gasket	
3	161.002	8	Nut	
4	164.002	8	Washer, spring	
5	102.345	2	Damper with plastic cap	
6	102.080	2	Washer, fibre	
7	102.832	2	Spring	
8	107.196	2	Needle BAU	2.8
	107.197	2	Needle BAW	4.2
	107.198	2	Needle BCC	4.2
	107.127	2	Needle BBL	4.2
	107.199	2	Needle BBK	4.2
9	102.378	2	Spring	
10	107.200	2	Screw, needle locking	
11	107.201	2	Jet bearing kit	
12	107.202	1	Jet assembly, front	
	107.203	1	Jet assembly, rear	
13	107.204	2	Spring, jet	
14	107.205	2	Temperature compensator	
15	107.206	2	Piston lifting kit	
16	102.110	2	Adjusting screw, idle	
	102.045	2	Spring	
17	102.057	2	Nut, locking	
18	102.107	2	Float	

ILL N°	PART N°	QTY	DESCRIPTION	APPLICATION
19	102.074	2	Pin	
20	102.237	2	Gasket	
21	102.315	2	Needle and seat	
22	102.012	6	Screw	
23	164.015	6	Washer, spring	
24	102.012	6	Screw	
25	107.207	1	Shaft, for carburettor with AED	
	107.208	1	Shaft	
26	107.209	2	Throttle disc with overrun valve	
27	102.050	4	Screw	
28	172.193	2	Clevis pin	
29	102.570	4	Washer, tab	
30	107.176	1	AED unit (rebuild)	
	108.910	1	Fuel hose kit, AED unit to carb/manifold	
31	107.126	1	Rebuild kit for AED unit	
32	107.184	1	Gasket set (only) for AED unit	
33	107.210	2	Throttle return spring	
34	102.324	2	Coupling assembly	
35	102.627	1	Connection rod 9.5cm, cut to length	
36	102.055	4	Bolt	
37	102.056	4	Washer, plain	
38	102.057	4	Nut	
39	107.022	2	Lever	
40	108.779	1	Choke conversion kit AED	



Choke conversion kit AED

AED = Automatic Enrichment Device

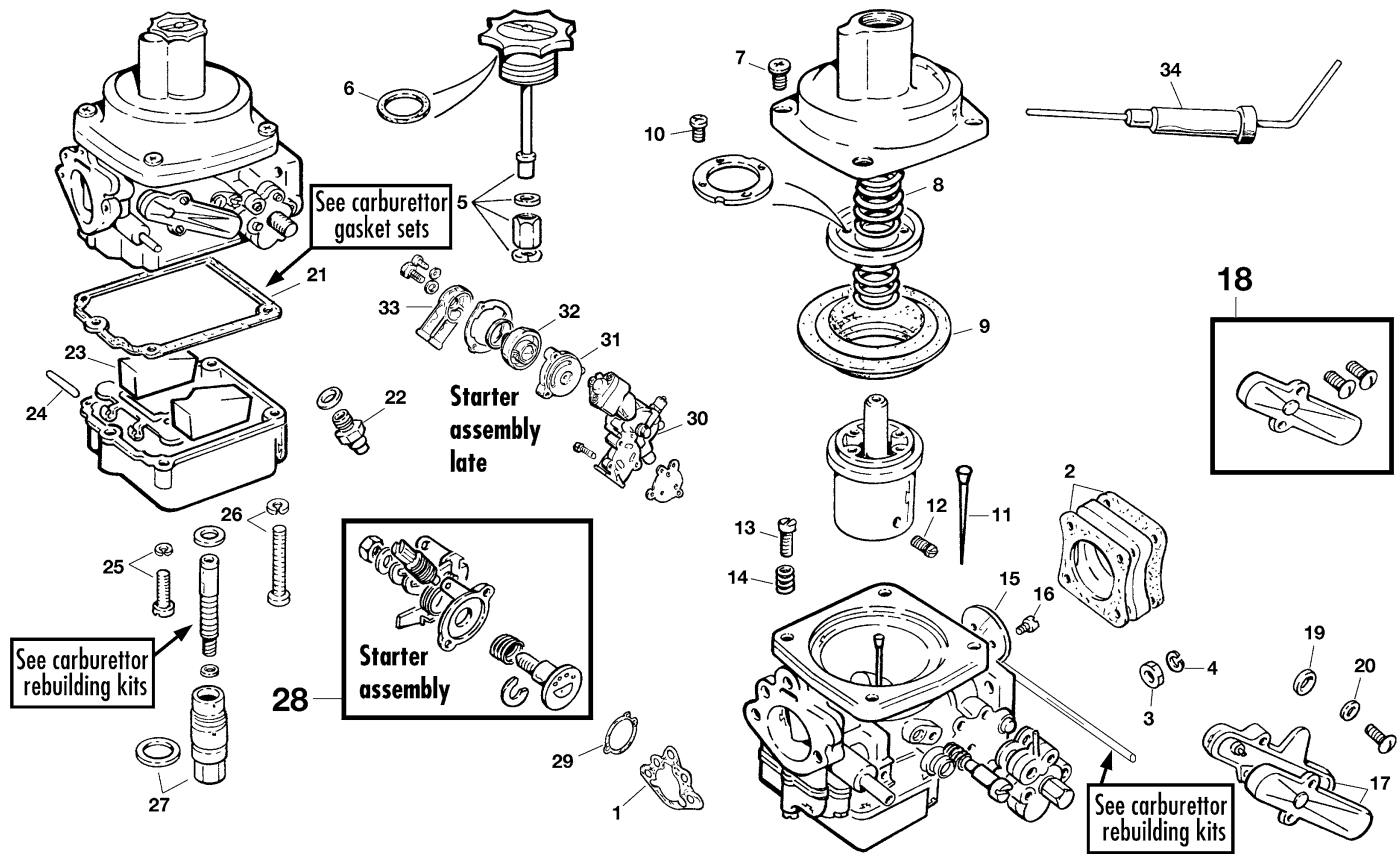
32

ILL N°	PART N°	QTY	DESCRIPTION	APPLICATION
1	116.297	4	Gasket	
2	016.485	4	Gasket	
3	161.002	8	Nut	
4	164.002	8	Washer, spring	
5	107.211	2	Damper	
	102.080	2	Washer, fibre	
6	102.012	6	Screw	
7	102.436	2	Spring	
8	107.212	2	Needle BDN	4.2 up to Eng 8L38852
	107.213	2	Needle BDY	4.2 From Eng 8L38853
	107.214	2	Needle BDW	3.4 models
9	102.378	2	Spring	
10	102.383	2	Screw, needle locking	
11	102.881	2	Mixture screw kit	
12	102.490	2	Jet bearing kit	
13	107.215	2	Jet	
14	102.884	2	Bi-Metal assembly kit	
15	102.156	2	Needle and seat, viton	
16	102.234	2	Float	

ILL N°	PART N°	QTY	DESCRIPTION	APPLICATION
17	102.885	2	Spindle kit, float	
18	102.236	2	Seal, float lid	
19	102.887	8	Screw	
20	164.015	8	Washer, spring	
21	107.216	1	Shaft, for carburettor with AED	
	107.217	1	Shaft	
22	102.338	4	Seal	
23	107.218	2	Disc	
24	102.050	4	Screw	
25	102.570	4	Washer, tab	
26	102.055	2	Screw	
27	102.056	2	Washer, plain	
28	102.057	2	Nut	
29	107.176	1	AED unit, rebuild	
	108.910	1	Fuel hose kit, AED unit to carb/manifold	
30	107.126	1	Rebuild kit for AED unit	
31	107.184	1	Gasket set (only) for AED unit	
32	108.779	1	Choke conversion kit AED	

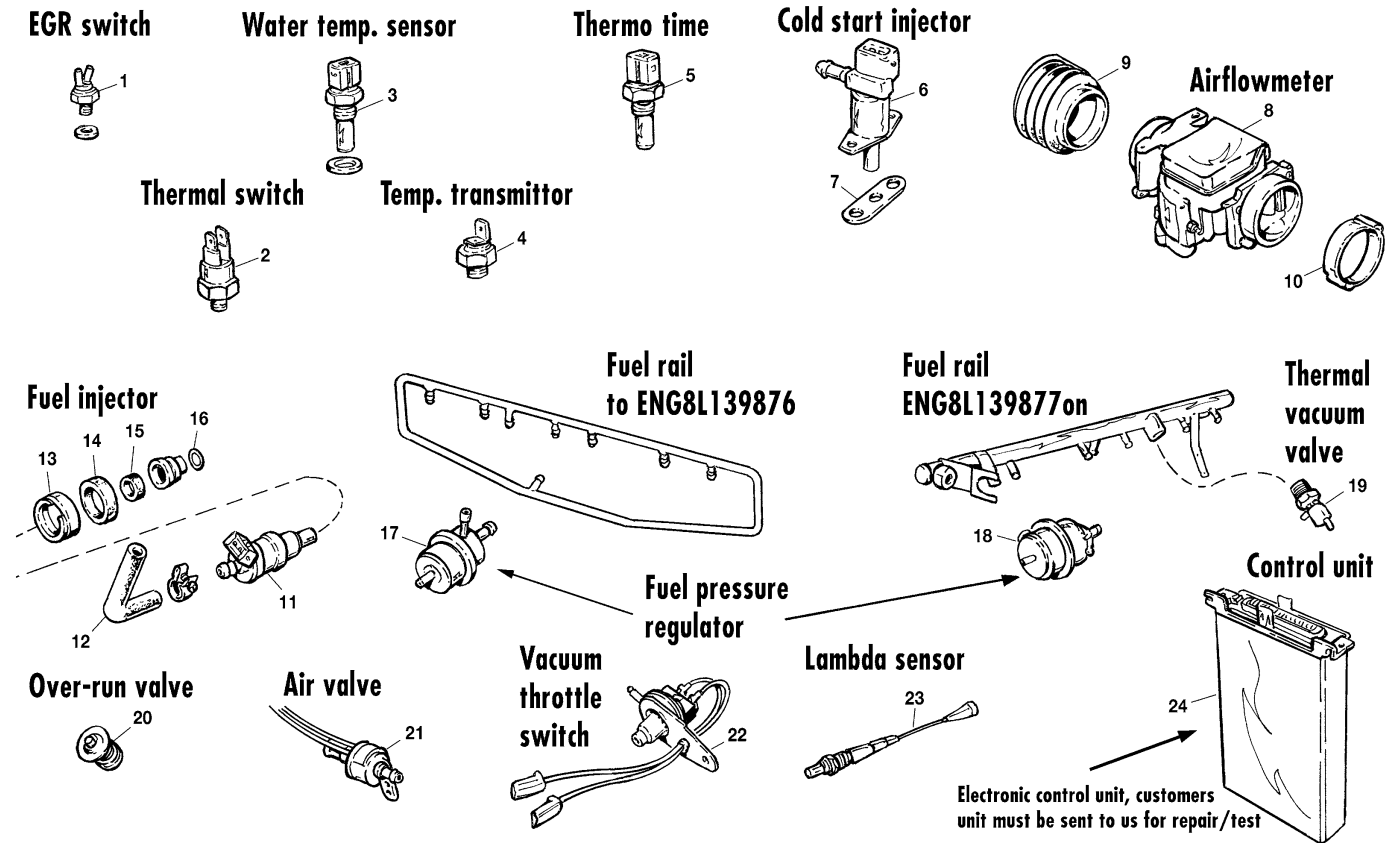


Zenith 175CD carburettor XJ12 & XJ6 USA models



ILL N°	PART N°	QTY	DESCRIPTION	APPLICATION
1	016.249	4/2	Gasket	XJ6 use 2
2	016.248	8/4	Gasket	XJ6 use 4
3	161.002	16/8	Nut	XJ6 use 8
4	164.002	16/8	Washer, spring	XJ6 use 8
5	103.060	4/2	Damper	XJ6 use 2
6	103.375	4/2	Washer, fibre	XJ6 use 2
7	103.184	16/8	Screw	XJ6 use 8
8	103.072	4	Spring	XJ12
	103.406	2	Spring	XJ6
9	103.041	4/2	Diaphragm	XJ6 use 2
10	103.419	16/8	Screw, sealing ring	XJ use 8
11	103.414	4	Needle BIBH	XJ12 man. 1971-72
	103.439	4	Needle BICK	XJ12 man. 1973-75
	103.440	4	Needle BICE	XJ12 automatic 1973-75
	103.441	2	Needle BIAE	XJ6 1968-69
	103.442	2	Needle BIAR	XJ6 1969-70
	103.443	2	Needle BIBT	XJ6 1971-72
	103.444	2	Needle BICG	XJ6 1972-74
	103.445	2	Needle B2AZ	XJ6 1974-75
	103.446	2	Needle B2BC	XJ6 1975-78
12	103.329	4/2	Screw, needle locking	
13	103.206	4/2	Screw, throttle stop	XJ6 use 2

ILL N°	PART N°	QTY	DESCRIPTION	APPLICATION
14	103.165	4/2	Spring	XJ6 use 2
15	103.092	4/2	Disc	XJ6 use 2
16	103.207	8/4	Screw	XJ6 use 2
17	103.407	4/2	Temperature compensator ass.	XJ6 use 2
18	103.266	4/2	Cover only	XJ6 use 2
19	103.433	4/2	Sealing, inner	XJ6 use 2
20	103.434	4/2	Sealing, outer	XJ6 use 2
21			See gasket pack	
22	103.032	4/2	Needle valve	XJ6 use 2
23	103.047	4/2	Float assembly	XJ6 use 2
24	103.195	4/2	Pin	XJ6 use 2
25	103.360	8/4	Screw, short	XJ6 use 4
26	103.200	8/4	Screw, long	XJ6 use 4
27	103.435	4/2	Sealing plug and 'O' ring	
28	103.436	2	Starter assembly	XJ12, RHF/LHR
	103.437	1	Starter assembly	XJ6, rear
29	103.438	2/1	Gasket, starter assembly	XJ6 use 1
30	103.111	1	Starter assembly	XJ6 late
31	103.175	1	Insulator ring	
32	103.412	1	Heat mass, bimetal	
33	103.411	1	Cover	
34	200.656	1	Adjusting tool, from top side	



Electronic control unit, customers unit must be sent to us for repair/test

Dear customer, because of the complexity of the injection system, we strongly recommend you use a workshop manual.

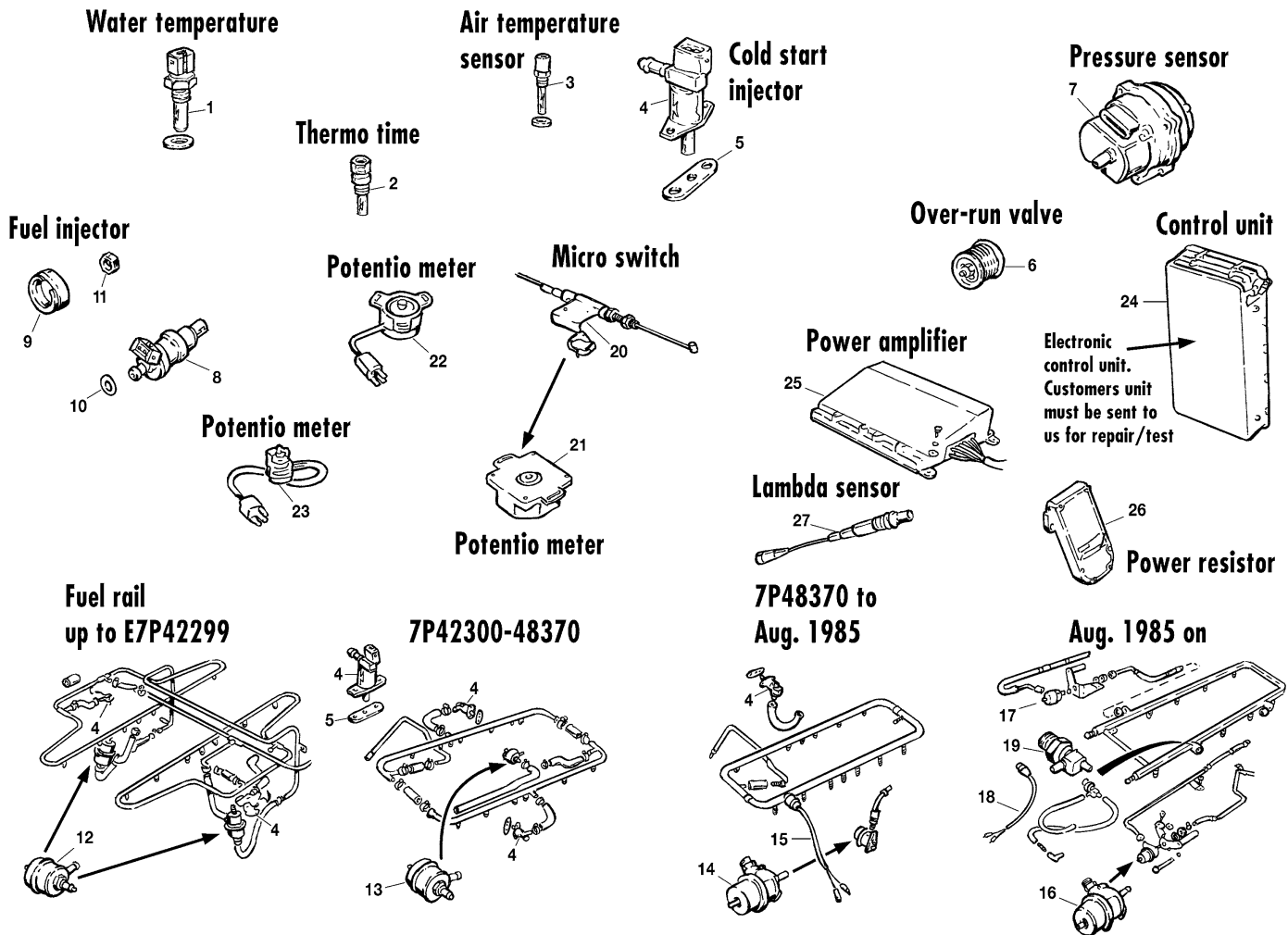


ILL N°	PART N°	QTY	DESCRIPTION	APPLICATION
1	088.369	1	EGR switch	
2	017.194	1	Thermal switch	
3	088.279	1	Water temperature sensor	Series 2
	086.876	1	Water temperature sensor	Series 3
4	088.105	1	Water temperature transmitter, to temperature meter in dashboard	
5	088.110	1	Thermo time switch	
6	105.218	1	Cold start injector	
7	016.792	1	Gasket	
8	088.701	1	Air flow meter	
9	105.223	1	Hose	
10	105.224	1	Hose	
11	105.369	6	Injector	
12	105.370	6	Hose	XJ6 Series 2
	105.371	1	1 m Hose	XJ6 Series 3
13	105.217	6	Collet, injector	
14	105.326	6	Seal large, 'body'	

ILL N°	PART N°	QTY	DESCRIPTION	APPLICATION
15	105.213	6	Seal small, injector	
16	105.372	6	Seal	
17	105.225	1	Fuel pressure regulator	Series 2 & Series 3 up to Eng. 8L139876
18	105.226	1	Fuel pressure regulator	Series 3 Eng. 8L139877 on
19	105.373	1	Thermal vacuum valve	Eng. 8L139877 on
20	105.363	1	Over-run valve	Series 2
	105.357	1	Over-run valve	Series 3, up to Aug 1985
	105.237	1	Over-run valve	Series 3, Aug 1985 on
21	105.367	1	Air valve, supplementary	
22	105.368	1	Vacuum throttle switch	
23	088.003	1	Lambda sensor	Series 2
	088.699	1	Lambda sensor	Series 3, up to Aug 1985
	088.700	1	Lambda sensor	Series 3, Aug 1985 on
24		1	Electronic control unit, customers one unit must be sent to repair/test	



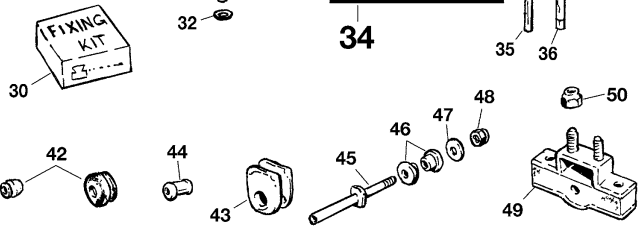
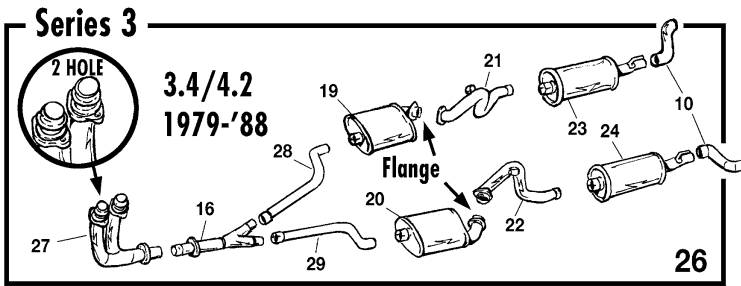
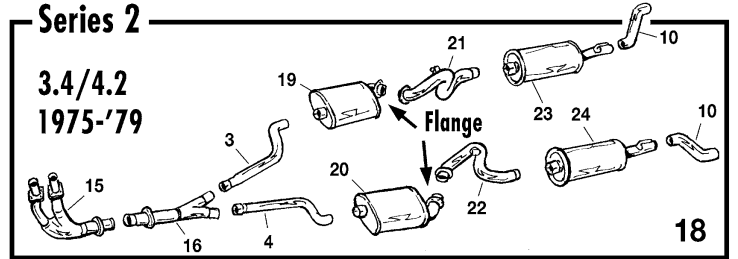
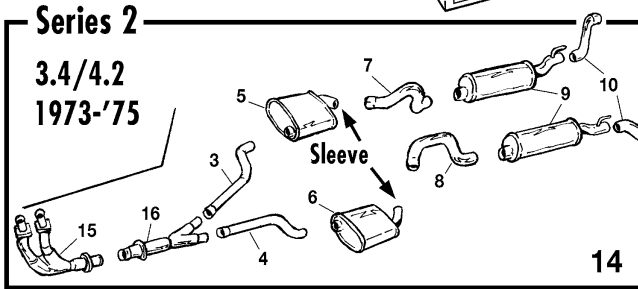
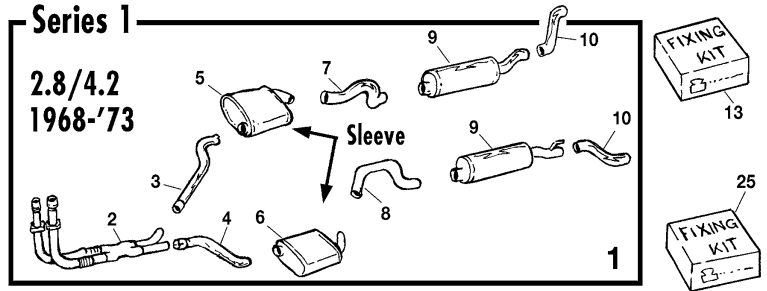
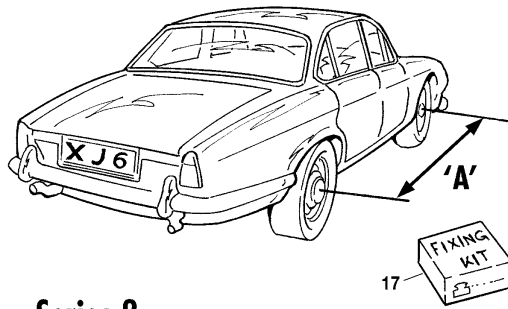
Fuel injection XJ12 models



Dear customer, because of the complexity of the injection system, we strongly recommend you use a workshop manual.

ILL N°	PART N°	QTY	DESCRIPTION	APPLICATION
1	088.295	1	Water temperature sensor	Series 2 & Series 3 up to Eng.7P42299
	086.876	1	Water temperature sensor	Series 3 From Eng.7P43000
	088.696	1	Thermo time switch	Series 2 up to Eng.7P31112
2	088.282	1	Thermo time switch	Series 2 from Eng.7P31113 up to Series 3 Eng. 7P42299
	088.110	1	Thermo time switch	Series 3 from Eng.7P42300 up to 7P49165 not Switzerland
	088.697	1	Air temperature sensor	Series 2 & Series 3 up to Eng.7P42299
3	086.875	1	Air temperature sensor	Series 3 from Eng.7P42300
	105.361	2	Cold start injector	Up to Eng.7P31112
	105.362	2	Cold start injector	Eng.7P31113 to 7P42299
4	105.218	2	Cold start injector	Eng.7P423000 to 7P49164
	016.792	2	Gasket	
	105.363	2	Over-run valve	Series 2 & Series 3 to Eng.7P45000
6	105.357	2	Over-run valve	Series 3 from Eng. 7P45001 up to Aug 1985
	088.678	2	Over-run valve	From Aug 1985
	105.364	1	Pressure sensor, manifold	Series 2 to Eng.7P31112
7	105.365	1	Pressure sensor, manifold	Series 2 from 7P31113 & Series 3
	105.203	12	Fuel injector	Series 2 and Series 3 up to Eng.7P42299
8	105.338	12	Fuel injector	Series 3 from Eng. 7P42300 up to Aug 1985
	105.366	10	Fuel injector, with short nose	Late Series 3, from Aug 1985
	105.205	2	Fuel injector, with long nose	Late Series 3, from Aug 1985

ILL N°	PART N°	QTY	DESCRIPTION	APPLICATION
9	105.217	12	Collet, injector	
10	105.374	12	Sleeve	
11	105.213	12	Seal	
12	105.228	2	Fuel pressure regulator	Up to Eng.7P42299
13	105.225	1	Fuel pressure regulator	Eng. 7P42300 up to 7P48370
14	105.226	1	Fuel pressure regulator	Eng. 7P48371 up to Aug 1985
15	105.240	1	Thermal switch	Aug 1985 up to Eng.7P48371
16	105.226	1	Fuel pressure regulator, outlet	Aug 1985 on
17	088.677	1	Fuel pressure regulator, inlet	Aug 1985 on
18	105.240	1	Thermal switch	Series 3 up to 7P56838
19	105.373	1	Thermal valve	Series 3 from Eng.7P56939
20	088.035	1	Micro switch	Series 2 en Series 3 to Eng.7P42299
21	088.012	1	Throttle potentiometer switch	Series 2 en Series 3 to Eng.7P42299
22	088.675	1	Throttle potentiometer switch	Series 3 from Eng.7P42300 to 7P61064
23	088.014	1	Throttle potentiometer switch	Series 3 from Eng.7P61065
24		1	Electronic control unit. Customers unit must be sent to us for repair/test	
25	088.702	1	Power amplifier	Series 2 to Eng.7P31112
	088.703	1	Power amplifier	Series 2 and Series 3 from Eng.7P31113 up to 7P42299
26	108.601	1	Power resistor	Series 3 from Eng.7P42300
27	088.003	1	Lambda sensor, non heated	Series 3 from Aug 1985 on
	088.005	1	Lambda sensor, heated	Series 3 from Aug 1985 on

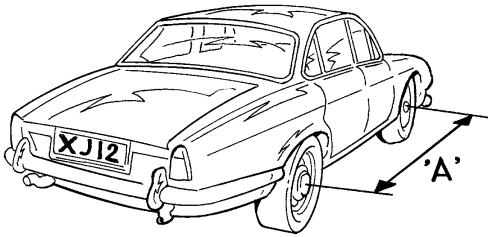


SWB=Short wheel base, 'A'= 2.77m Coupe is always a SWB model ! LWB=Long wheel base, 'A'= 2.87m

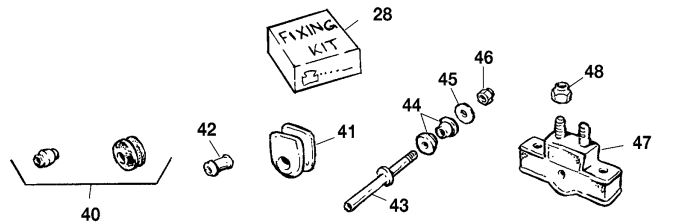
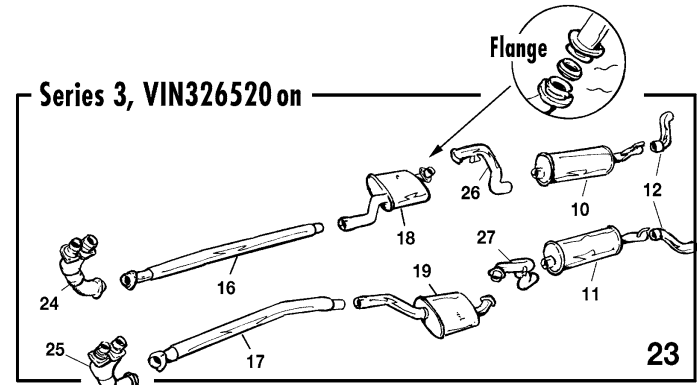
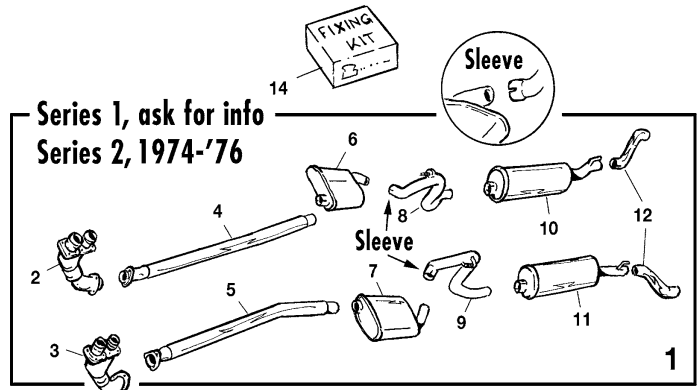
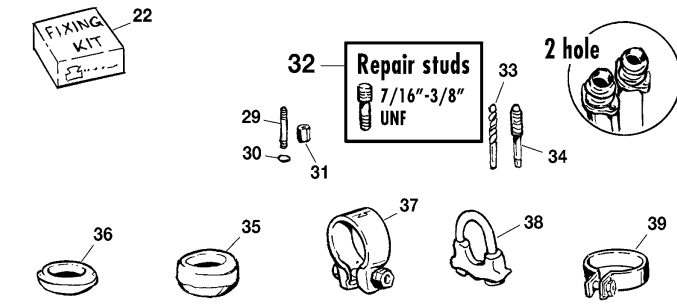
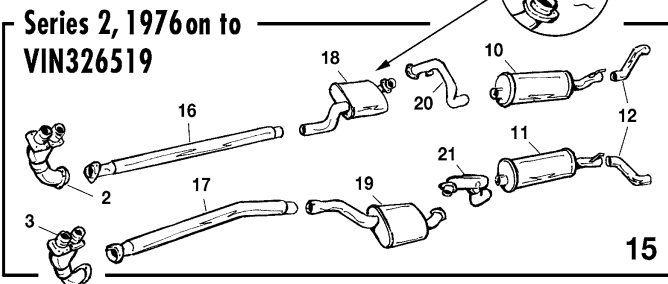
ILL N°	PART N°	QTY	DESCRIPTION	APPLICATION
1	110.429	1	Stainless steel exhaust system	Series 1 SWB 2.8
	110.566	1	Stainless steel exhaust system	Series 1 LWB 2.8
	110.430	1	Stainless steel exhaust system	Series 1 SWB 4.2
	110.431	1	Stainless steel exhaust system	Series 1 LWB 4.2
2	110.507	1	Front pipe, 2 flanges with 4 holes	2.8
	110.519	1	Front pipe, 2 flanges with 4 holes	4.2
3	110.508	1	RH Link pipe	SWB
	110.517	1	RH Link pipe	LWB
4	110.509	1	LH Link pipe	SWB
	110.518	1	LH Link pipe	LWB
5	110.510	1	RH Silencer, sleeve type	
6	110.511	1	LH Silencer, sleeve type	
7	110.512	1	RH Axle pipe, sleeve type	
8	110.513	1	LH Axle pipe, sleeve type	
9	110.514	2	Rear silencer	
10	110.516	2	Tail pipe, use a self tapping screw, ore a pop rivet	
13	111.337	1	Fitting kit for Ill. No. 1, with helicoil nuts as original	
14	110.432	1	Stainless steel exhaust system	Series 2 SWB 3.4/4.2
	110.433	1	Stainless steel exhaust system	Series 2 LWB 3.4/4.2
15	110.520	1	Front pipe, 2 flanges with 4 holes	
16	110.521	1	'Y' Section	
17	111.338	1	Fitting kit for Ill. No.14, with helicoil nuts as original	
18	110.434	1	Stainless steel exhaust system	Series 2 SWB 3.4/4.2
	110.435	1	Stainless steel exhaust system	Series 2 LWB 3.4/4.2
19	110.522	1	RH Silencer, flange type	
20	110.523	1	LH Silencer, flange type	
21	110.524	1	RH Axle pipe, flange type	
22	110.525	1	LH Axle pipe, flange type	
23	110.526	1	RH Rear silencer, flange type	
24	110.527	1	LH Rear silencer, flange type	
25	111.339	1	Fixing kit for Ill. No. 18	
26	110.437	1	Stainless steel exhaust system	Series 3 3.4/4.2

ILL N°	PART N°	QTY	DESCRIPTION	APPLICATION
27	110.528	1	Front pipe, 2 flanges with 2 holes	
28	110.517	1	RH Link pipe	
29	110.518	1	LH Link pipe	
30	111.340	1	Fixing kit for Ill. No. 26, with helicoil nuts as original	
31	167.288	8/4	Stud 3/8", front pipe with 2 flanges with 2 holes use 4 studs	
32	163.005	8/4	Washer, plain	
33	161.006	8/4	Nut, brass	
34	167.290	8/4	Repair stud 7/16"-3/8"	
35	200.563	1	Drill 9.90mm	
36	200.476	1	Tap 7/16"UNF, see for more information, Tool catalogue 190.058	
37	016.730	2	Front pipe sealing ring, pipe to manifolds	
38	111.227	1	Olive, 'Y' piece to front pipe	
	111.083	2	Olive, axle pipe to silencer, flange type	
39	111.163	6/4	Clamp 48mm, sleeve system use 6, flange system use 4	
40	111.011	2	Clamp 48mm, axle pipe to silencer, sleeve system	
41	111.078	2	Clamp 52mm, rear silencer to axle pipe, flange type system	
42	111.228	2	Mounting rubber, axle pipe, mostly with insulator, sleeve system	
	111.230	2	Insulator only	
43	111.236	2	Mounting rubber, axle pipe, flange system	
44	111.240	2	Insulator for 111.236	
45	111.232	2	Axle pipe mounting rod, flange system	
46	111.233	4	Insulator, mounting rod to axle pipe	
47	163.317	2	Washer	
48	161.010	2	Locknut	
49	111.229	2	Rear mounting	
50	161.330	4	Locknut	

Exhaust systems XJ12 models

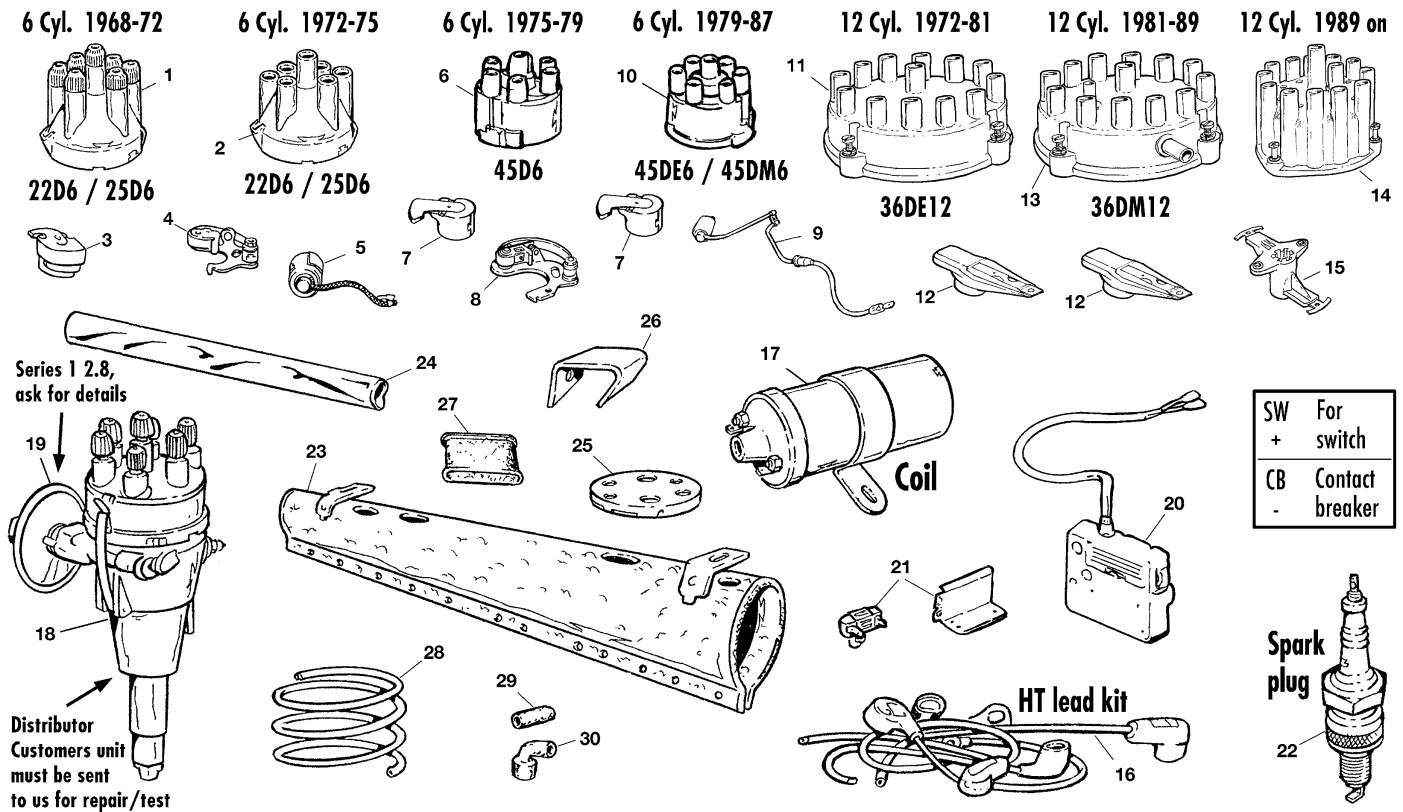


SWB=Short wheel base, 'A'= 2.77m
Coupe is always a SWB model !
LWB=Long wheel base, 'A'= 2.87m



ILL N°	PART N°	QTY	DESCRIPTION	APPLICATION
1			Stainless steel exhaust system	Series 1 SWB/LWB, ask for details
	110.439	1	Stainless steel exhaust system	Series 2 SWB
	110.440	1	Stainless steel exhaust system	Series 2 LWB
2	110.535	1	RH Front pipe, 2 flanges with 4 holes	
3	110.536	1	LH Front pipe, 2 flanges with 4 holes	
4	110.537	1	RH Inter pipe	
5	110.538	1	LH Inter pipe	
6	110.541	1	RH Silencer, sleeve type	
7	110.542	1	LH Silencer, sleeve type	
8	110.543	1	RH Axle pipe, sleeve type	
9	110.544	1	LH Axle pipe, sleeve type	
10	110.526	1	RH Rear silencer	
11	110.527	1	LH Rear silencer	
12	110.516	2	RH Tail pipe, use a self tapping screw, or a pop rivet	
14	111.341	1	Fitting kit for ILL. No. 1, with helicoil nuts as original	
15	110.441	1	Stainless steel exhaust system	Series 2 & 3 LWB, to VIN 326519
16	110.547	1	RH Inter pipe	
17	110.548	1	LH Inter pipe	
18	110.549	1	RH Silencer, flange type	
19	110.550	1	LH Silencer, flange type	
20	110.551	1	RH Axle pipe, flange type	
21	110.552	1	LH Axle pipe, flange type	
22	111.342	1	Fitting kit for ILL. No.15, with helicoil nuts as original	
23	110.442	1	Stainless steel exhaust system	Series 3 LWB, VIN 326520 on
24	110.545	1	RH Front pipe, 2 flanges with 2 holes	

ILL N°	PART N°	QTY	DESCRIPTION	APPLICATION
25	110.546	1	LH Front pipe, 2 flanges with 2 holes	
26	110.524	1	RH Axle pipe, flange type	
27	110.525	1	RH Axle pipe, flange type	
28	111.343	1	Fitting kit for ILL. No. 23, with helicoil nuts as original	
29	167.288	16/8	Stud 3/8", front pipe with 2 flanges with 2 holes use 8 studs	
30	163.005	16/8	Washer, plain	
31	161.006	16/8	Nut, brass	
32	167.290	16/8	Repair stud 7/16"-3/8"	
33	200.563	1	Drill 9.90mm	
34	200.476	1	Tap 7/16"UNF, see for more information Tool catalogue 190.058	
35	016.730	4	Front pipe sealing ring, pipe to manifolds	
36	111.227	2	Olive, inter pipe to front pipe	
37	111.208	2	Clamp 55mm, silencer to inter pipe	
38	111.078	2	Clamp 52mm, axle pipe to silencer, sleeve system	
39	111.078	2	Clamp 52mm. rear silencer to axle pipe	
40	111.228	2	Mounting rubber, axle pipe, mostly with insulator, sleeve system/flange system	Up to VIN 326519
	111.230	2	Insulator only	
41	111.236	2	Mounting rubber, axle pipe, lange system	VIN 326520 on
42	111.240	2	Insulator for 111.236	
43	111.232	2	Axle pipe mounting rod	
44	111.233	4	Insulator, mounting rod to axle pipe	
45	163.317	2	Washer	
46	161.010	2	Locknut	
47	111.229	2	Rear mounting	
48	161.330	4	Locknut	



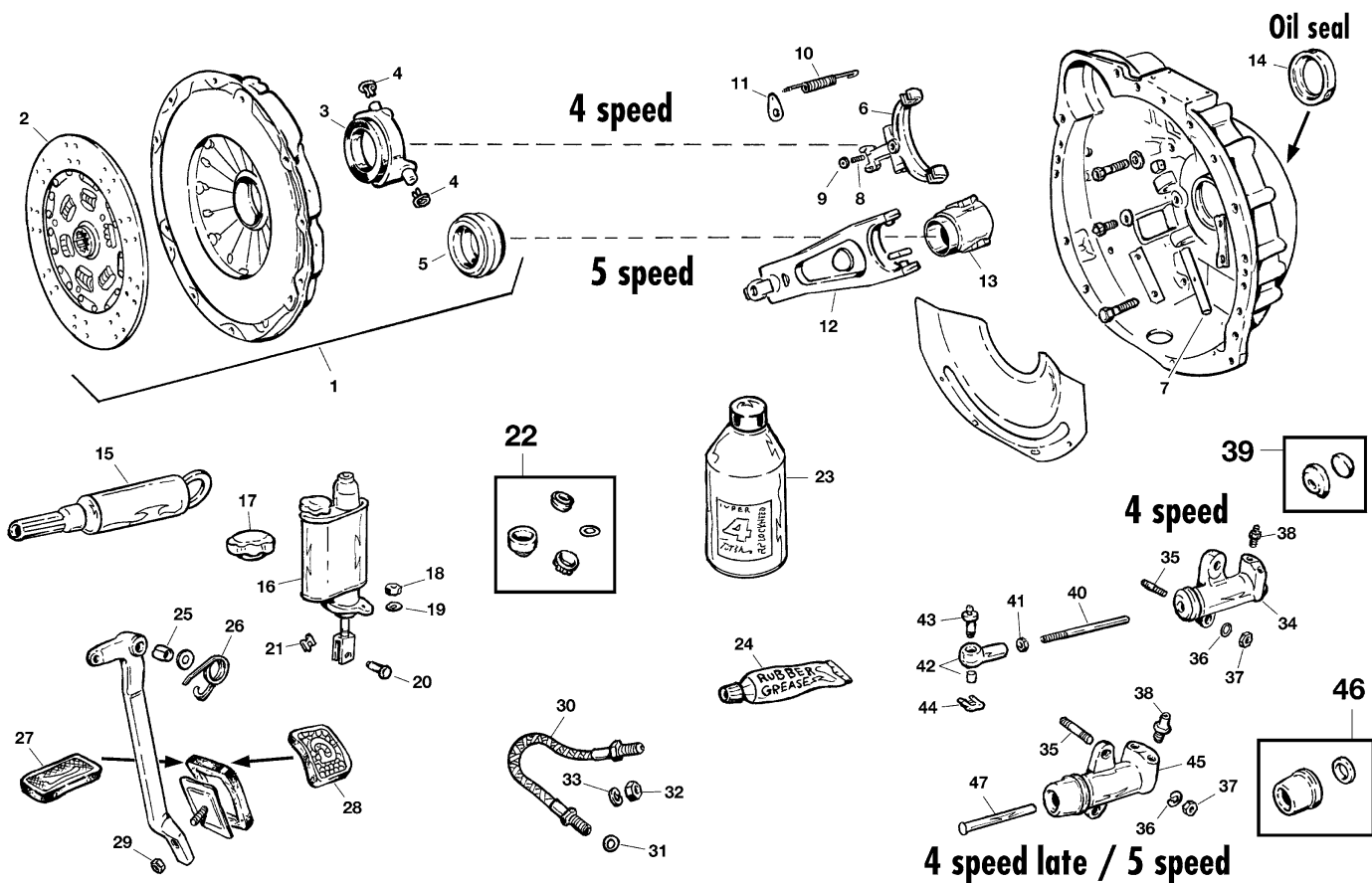
For Lumenition ignition system info, please see Power tuning and brake improvement page 75

ILL N°	PART N°	QTY	DESCRIPTION	APPLICATION
1	081.357	1	Distributor cap	6 cyl. Series 1 1968-72
2	081.163	1	Distributor cap	6 cyl. Series 1 & 2, 1972-75
3	181.177	1	Rotor, heavy duty, improved quality	
4	081.016	1	Contact set	
5	081.017	1	Condensor	
6	081.356	1	Distributor cap	6 cyl. Series 2 1975-79
7	081.084	1	Rotor	
8	081.082	1	Contact set	
9	081.156	1	Condensor	
10	081.941	1	Distributor cap, electronic ignition	6 cyl. Series 3 1980-87
11	081.967	1	Distributor cap	12 cyl. pre HE models 1972-81
12	181.071	1	Rotor	
13	081.968	1	Distributor cap	12 cyl. HE models 1981-89
14	181.162	1	Distributor cap	12 cyl. models with MARELLI ignition system 1989 on
15	181.072	1	Rotor	
16	081.965	1	HT Lead kit	6 cyl. Series 1 for screw-in distributor cap Ill. No 1
	081.966	1	HT Lead kit	6 cyl. Series 2 & 3 for push-in distributor cap Ill. No. 2, 6 & 10
	181.115	1	HT Lead kit	12 cyl. up to 1989
	181.116	1	HT Lead kit	12 cyl. 1989 on, MARELLI ignition system
17	081.194	1	Coil, screw-in	6 cyl. Series 1 1968-73
	081.001	1	Coil, push-in	6 cyl. Series 1 1968-73
	081.195	1	Sport coil, not for electronic ignition	1973 on
	081.235	1	Coil	6 cyl. Series 2 & 3 1973-85
	081.320	1	Coil	6 cyl. Series 3 1985 on, 12 cyl. Series 1, 2 & 3 up to 1981, pre HE
	181.105	1	Coil	12 cyl. MAIN, Series 3 HE, 1981-89
	181.112	1	Coil	12 cyl. SEC, Series 3 HE, 1981-89
	181.114	1	Coil	12 cyl. MARELLI ignition system 1989 on
18		1	Distributor. Customers unit must be sent to us for repair/test. Ask details	

ILL N°	PART N°	QTY	DESCRIPTION	APPLICATION
19	181.....	1	Vacuum unit, ask for details	Series 1 2.8
	181.014	1	Vacuum unit	Series 1 & 2 4.2
	181.180	1	Vacuum unit	Series 2 & 3 3.4
	181.188	1	Vacuum unit	Series 3 4.2 late
	081.975	1	Vacuum unit	Series 1 & 2 5.3 carb.
	181.184	1	Vacuum unit	Series 2 5.3 inj. & early Series 3 pre HE
	181.050	1	Vacuum unit	Series 3 5.3 HE models
20	181.161	1	Ignition amplifier	XJ6 Series 3 4.2
	081.979	1	Ignition amplifier	XJ12 Series 1, 2 & early Series 3 with Opus system
	181.221	1	Ignition amplifier	XJ12 Series 3 late pre HE & HE
21	081.151	1	Ballast resistor	XJ6 Series 3.4
	181.223	1	Ballast resistor	XJ6 Series 3 4.2
	181.222	1	Ballast resistor	XJ12 with Opus ignition
22	012.354	6	Spark plug NGK BP7ES	6 cyl. Series 1, 2.8
	012.088	6	Spark plug, Champion N12YCC	6 cyl. Series 1, 2 & 3
	012.058	12	Spark plug, Champion N9YCC	12 cyl. up to HE models, 1981
	018.189	12	Spark plug	12 cyl. 1981 on
23	081.674	1	HT Lead conduit	Early 2.8
24	081.960	1	HT Lead conduit, black plastic	
25	081.951	A/R	Thin HT cable separator	
	081.950	A/R	Thick HT cable separator	
26	181.030	1	Bracket cable grommet	
27	081.990	1	Cable grommet	
28	081.091	1	Black nylon vacuum tube for Ill. No 19	
29	081.064	1	Straight rubber connection 1/8" both ends	
	081.065	1	Straight rubber connection 1/8"-3/16"	
30	081.092	1	90° Rubber end piece	



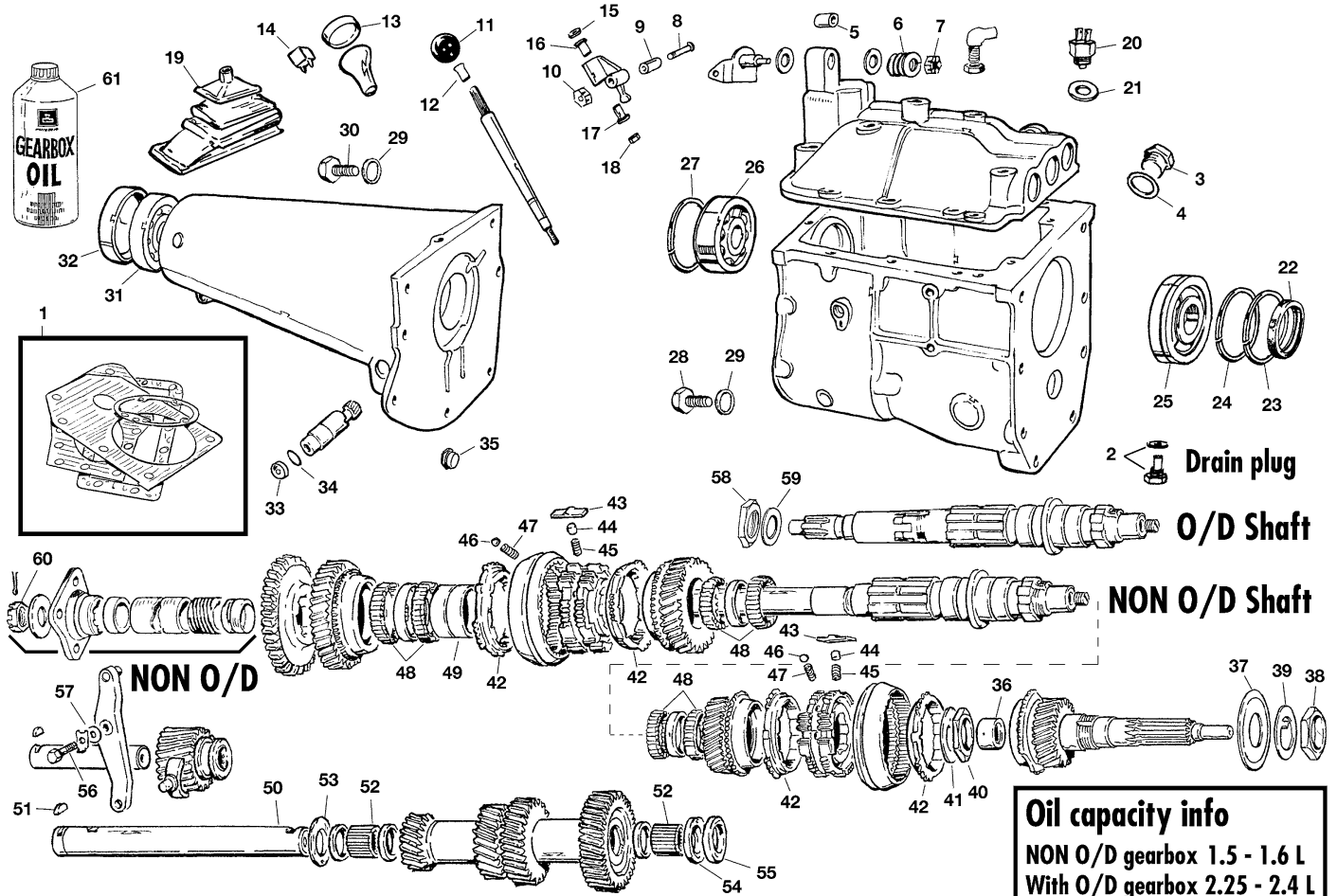
Clutch system XJ6



ILL N°	PART N°	QTY	DESCRIPTION	APPLICATION
1	021.131	1	3 Piece clutch kit, with 4 speed gearbox	Series 1 & 2, 4.2
	021.197	1	3 Piece clutch kit, with 5 speed gearbox	Series 3, 4.2
	021.198	1	3 Piece clutch kit, with 4 speed gearbox	Series 1 & 2, 3.4
	021.199	1	3 Piece clutch kit, with 5 speed gearbox	Series 3, 3.4
	021.200	1	3 Piece clutch kit, with 4 speed gearbox	2.8
2	021.095	1	Clutch plate with 4 speed gearbox	4.2
	021.134	1	Clutch plate with 5 speed gearbox	4.2
	021.095	1	Clutch plate with 4 speed gearbox	3.4
	021.134	1	Clutch plate with 5 speed gearbox	3.4
	021.203	1	Clutch plate	2.8
3	021.132	1	Release bearing, 4 speed gearbox	
4	021.002	2	Clip, release bearing to clutch arm	
5	021.065	1	Release bearing, 5 speed g/box	
6	027.426	1	Clutch arm, 4 speed gearbox	
7	027.427	1	Shaft	
8	165.431	1	Lock screw	
9	161.019	1	Nut	
10	171.119	1	Spring	
11	163.365	1	Spring plate	
12	024.916	1	Clutch arm, 5 speed gearbox	
13	027.409	2	Slipper block	
14	016.733	1	Oil seal, 4 speed g/box, fits in clutch housing	
	016.765	1	Oil seal, 5 speed g/box, fits in gearbox	
15	200.846	1	Clutch aligning tool, 4 speed g/box	
	200.903	1	Clutch aligning tool, 5 speed g/box	
16	053.354	1	Clutch master cylinder, incl. Ill. No. 17	Fits all Series
17	052.005	1	Cap	
18	161.002	2	Nut	
19	164.002	2	Washer, spring	
20	172.009	1	Clevis pin, fits with cotter pin	Series 1
	173.127	1	Clevis pin, fits with clip	Series 2 & 3
21	172.294	1	Cotter pin	
	173.128	1	Clip	

ILL No	PART No	QTY	DESCRIPTION	APPLICATION
22	052.130	1	Repair kit, original master cylinder 0.70"	Series 1 and Series 2 up to 1975
	052.043	1	Repair kit, original master cylinder	Series 2 1976 on and Series 3
23	053.039	1	1L brake fluid DOT 4	
	053.018	1	1L brake fluid SILICONE	
24	052.117	1	Rubber grease	
25	017.252	2	Bush, clutch pedal	
26	027.447	1	Return spring	
27	027.425	1	Pedal rubber, JAGUAR	
28	027.490	1	Pedal rubber, DAIMLER	
29	161.336	1	Locknut	
30	027.478	1	Clutch hose	Series 1 & early Series 2
	027.488	1	Clutch hose	Late Series 2 & Series 3
31	168.010	1	Washer, copper	
32	161.298	1	Nut locking	
33	164.099	1	External tooth washer	
34	027.400	1	Slave cylinder, incl. Ill. No. 38	Series 1 & early Series 2
35	167.383	2	Stud	
36	164.006	2	Washer, spring	
37	161.026	2	Nut	
38	027.009	1	Bleed screw	
39	027.072	1	Repair kit	
40	027.541	1	Push rod	
41	161.008	1	Nut, locking	
	164.032	1	Internal tooth shake washer	
42	027.430	1	Adjuster	
43	027.429	1	Pivot pin	
44	173.075	1	Clip, pivot pin securing	
45	027.401	1	Slave cylinder, incl. Ill. No. 38	Late Series 2 and Series 3
46	027.402	1	Repair kit	
47	027.542	1	Push rod	

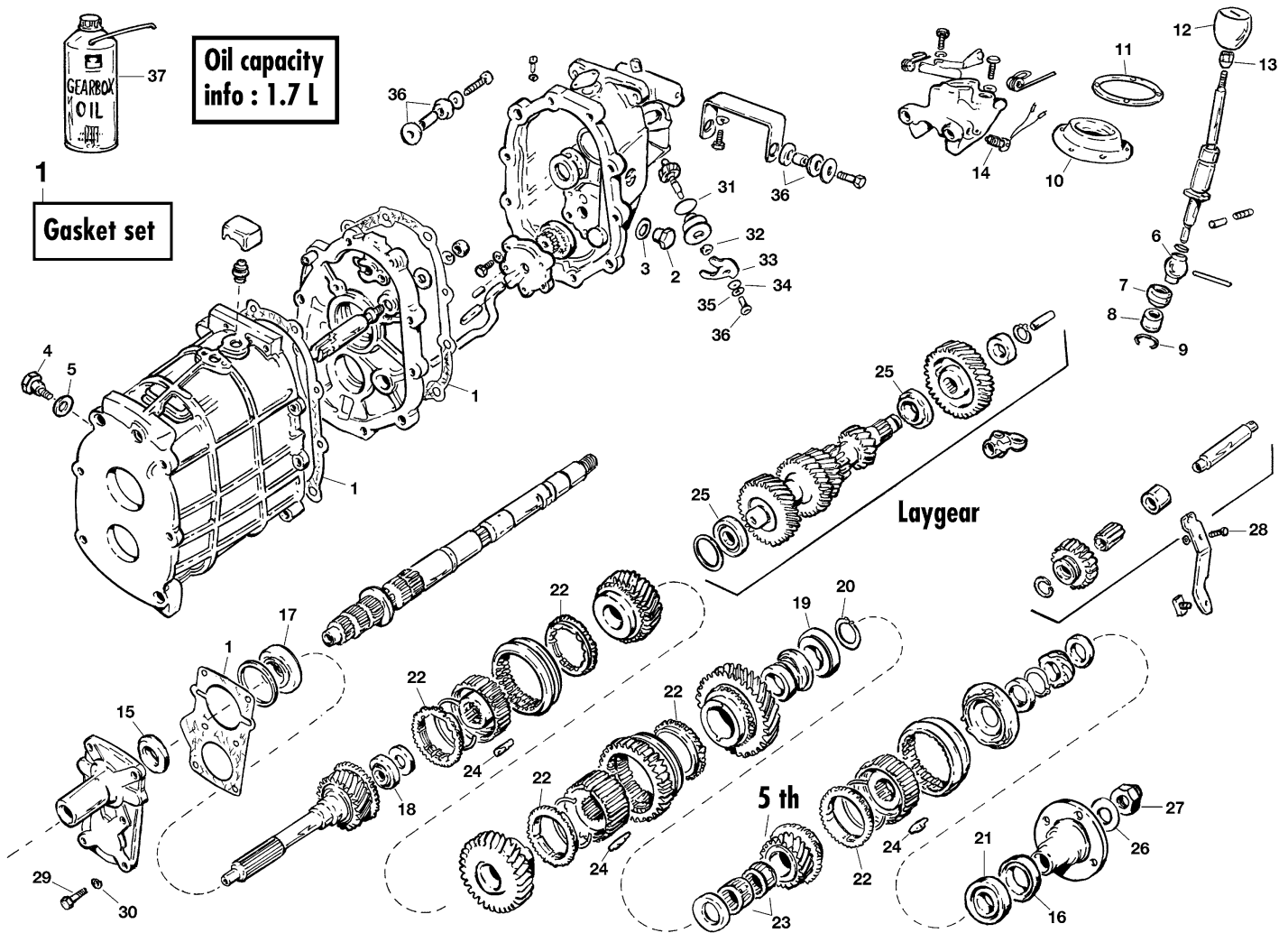
Manual gearbox XJ6 Series 1 & 2 up to Sept. 1979



Oil capacity info
 NON O/D gearbox 1.5 - 1.6 L
 With O/D gearbox 2.25 - 2.4 L

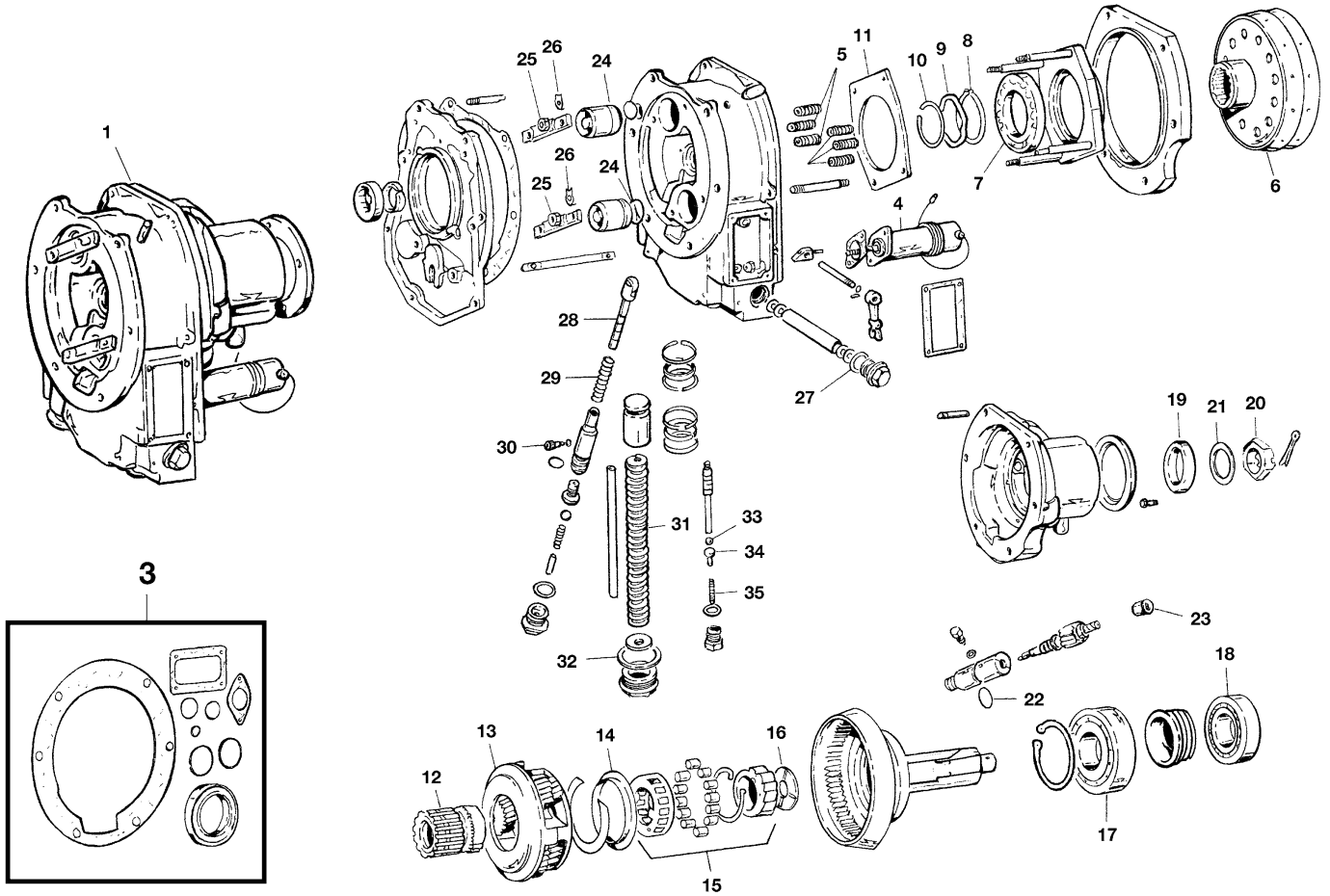
ILL N°	PART N°	QTY	DESCRIPTION	APPLICATION
1	016.843	1	Gasket set	
2	024.541	1	Magnetic drain plug & washer	
	011.865	1	Drain plug + use 168.230 washer, fibre	
3	011.865	1	Filler plug	
4	168.230	1	Washer, fibre	
5	024.708	1	Bush for pivot jaw	
6	024.711	1	Double spring	
7	161.338	1	Thin lock nut	
8	026.160	1	Pivot pin	
9	024.713	1	Bush, horizontal	
10	161.079	1	Locking nut, pivot pin	
11	026.094	1	Gear lever knob	Non O/D models
12	161.293	1	Chrome locking cone, nut	
13	023.369	1	Cap O/D	
14	023.370	1	Switch O/D	
15	026.157	1	Washer, upper	
16	026.095	1	Bush, upper	
17	026.096	1	Bush, lower	
18	161.330	1	Thin lock nut	
19	121.779	1	Gear shift boot	
20	083.052	A/R	Switch, reverse or O/D	
21	168.023	A/R	Washer, adjusting	
22	016.733	1	Oil seal, front	
23	026.169	1	Circlip, bearing	
24	026.170	1	Collar between bearing circlip & casing	
25	026.092	1	Bearing, front	
26	024.789	1	Bearing, mainshaft	
27	024.790	1	Circlip for bearing	
28	162.022	7	Screw, O/D adaptor plate to casing	
29	164.002	7	Washer, spring	
30	162.577	7	Screw, rear casing	
31	041.632	1	Bearing, rear	
32	016.735	1	Oil seal, rear	
33	016.050	1	Oil seal, speedo drive	

ILL N°	PART N°	DESCRIPTION	APPLICATION
34	016.801	1 'O' ring	
35	026.101	1 Gauze filter	
36	026.107	1 Roller bearing, first motion shaft	
37	026.113	1 Oil thrower	
38	026.182	1 Nut, first motion shaft	
39	026.114	1 Tab washer for nut	
40	026.182	1 Nut, 3rd gear and 3rd-4th synchro hub	
41	026.114	1 Tab washer	
42	026.102	4 Synchro ring	
43	026.104	6 Thrust member	
44	026.105	6 Plunger	
45	026.241	6 Spring	
46	024.833	6 Ball	
47	026.103	6 Spring	
48	026.106	120 Needle roller, 1 st , 2 nd & 3 rd gear	
49	026.176	1 Sleeve, bearing	
50	026.108	1 Lay shaft	
51	172.880	1 Key, locking lay shaft in g/box case	
52	024.751	58 Needle roller	
53	026.110	1 Thrust washer, rear	
54	024.755	1 Inner thrust washer	
55	024.759	1 Outer thrust washer, 0.152"	
	024.756	1 Outer thrust washer, 0.156"	
	024.757	1 Outer thrust washer, 0.159"	
	024.758	1 Outer thrust washer, 0.162"	
	024.760	1 Outer thrust washer, 0.164"	
56	162.072	1 Screw	
57	168.234	1 Washer, fibre	
58	026.240	1 Nut, securing main shaft in bearing	O/D gearbox only
59	174.166	1 Tab washer	
60	161.662	1 Nut, flange to shaft	
61	300.111	2 1L gearbox oil 30	
	300.511	1 5L gearbox oil 30	



ILL N°	PART N°	QTY	DESCRIPTION	APPLICATION
1	116.192	1	Gasket set	
2	024.928	1	Drain plug	
3	168.023	1	Washer, fibre	
4	024.918	1	Filler plug	
5	168.023	1	Washer, fibre	
6	026.577	1	Bush, gearlever	Early type
7	026.579	1	Bush, outer, gearlever	Later type
8	026.580	1	Bush, inner, gearlever	Later type
9	026.581	1	Circlip	
10	121.991	1	Gaiter, gearlever	
11	142.332	1	Retainer	
12	026.585	1	Knob, gearlever	
13	161.901	1	Locknut	
14	088.653	1	Reverse light switch	
	161.688	1	Locknut	
15	016.765	1	Oil seal, front	
16	016.878	1	Oil seal, rear	
17	026.541	1	Bearing, front	
18	024.965	1	Bearing	
19	024.964	1	Bearing, mainshaft	

ILL N°	PART N°	QTY	DESCRIPTION	APPLICATION
20	024.996	1	Circlip	
21	023.244	1	Bearing, rear	Early
	026.586	1	Bearing, rear	Late
22	024.968	5	Syncho ring	
23	026.367	2	Needle bearing, 5 th gear	
24	024.970	9	Shifting plate	
25	024.989	2	Bearing, layshaft	
26	024.987	1	Washer	
27	161.782	1	Nut, nyloc	
28	026.023	1	Pivot pin, reverse lever	
29	165.988	6	Screw, front cover	
30	163.001	6	Washer, plain	
31	023.651	1	'O' ring	
32	016.050	1	Oil seal	
33	023.654	1	Clamp	
34	163.097	1	Washer, plain	
34	164.136	1	Washer, locking	
35	165.991	1	Screw	
36	027.296	8	Bush, rubber	
37	300.111	2	1L gear oil	

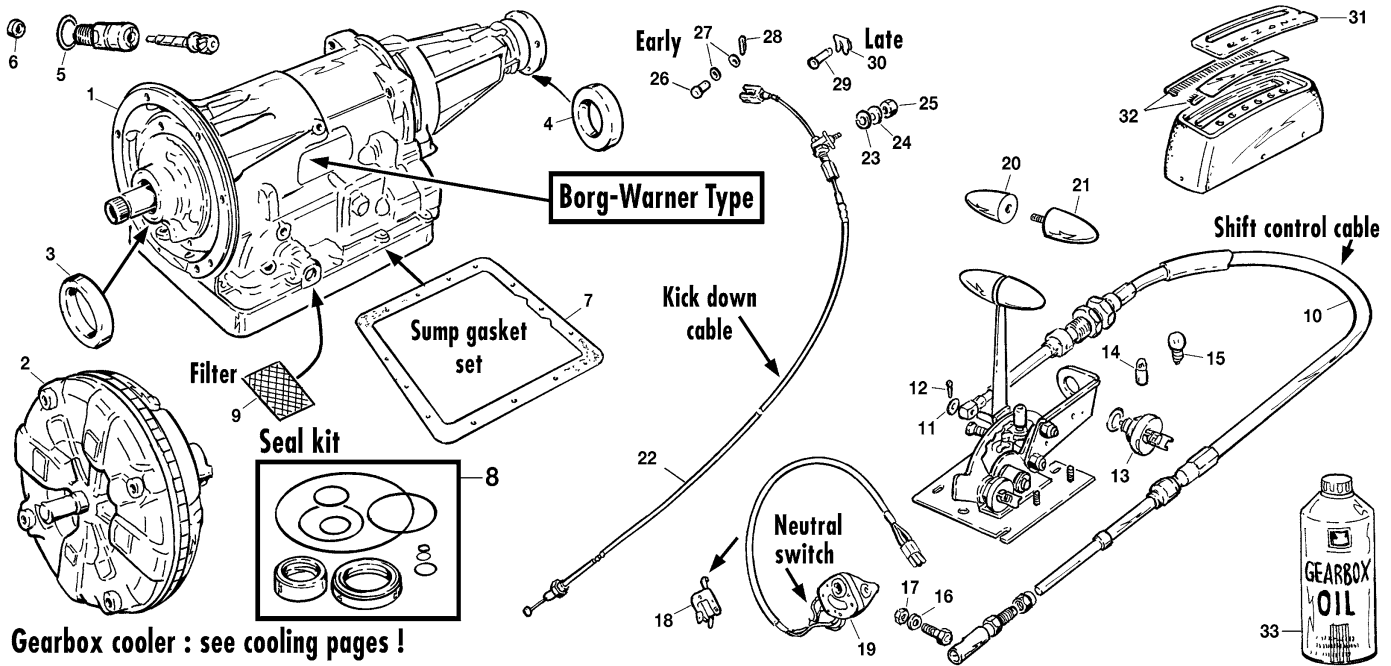


ILL N°	PART N°	QTY	DESCRIPTION	APPLICATION
1	020.299	1	Overdrive unit	2.8L
	020.300	1	Overdrive unit	3.4L
	020.301	1	Overdrive unit	4.2L, up to Eng. No. 8L 15390
	020.302	1	Overdrive unit	4.2L, Eng. No. 8L 15391 on
3	116.289	1	Gasket and seal kit	
4	081.047	1	Solenoid assembly	
5	025.445	1	Set of 6 clutch return springs	2.8 & 3.4L
	025.453	1	Set of 6 clutch return springs	4.2L
6	025.159	1	Sliding member	
7	025.388	1	Bearing	
8	025.214	1	Circlip 1.7/8"	
9	025.455	1	Corrugated washer	
10	172.231	1	Snap ring	
11	025.454	1	Plate, retaining thrust ring	
12	025.457	1	Sun gear	
13	025.458	1	Planetary carrier assembly	
14	025.068	1	Annulus oil thrower	
15	025.369	1	Complete UDC assembly	
16	025.069	1	Bronze thrust washer	

ILL N°	PART N°	QTY	DESCRIPTION	APPLICATION
17	025.165	1	Bearing annulus	
18	025.125	1	Bearing rear	
19	025.126	1	Oil seal	
20	161.303	1	Nut	
21	163.348	1	Washer	
22	025.160	1	'O' ring	
23	025.451	1	Bush, pinion	
24	025.105	2	'O' ring, operating piston	
25	161.019	4	Nut	
26	174.016	4	Tab washer	
27	025.468	1	Washer	
28	025.463	1	Plunger, oil pump	
29	025.042	1	Spring	
30	166.134	1	Screw, securing oil pump body	
31	025.406	1	Accumulator piston spring	
32	168.289	1	Washer	
33	023.027	1	Ball	
34	025.182	1	Spring	



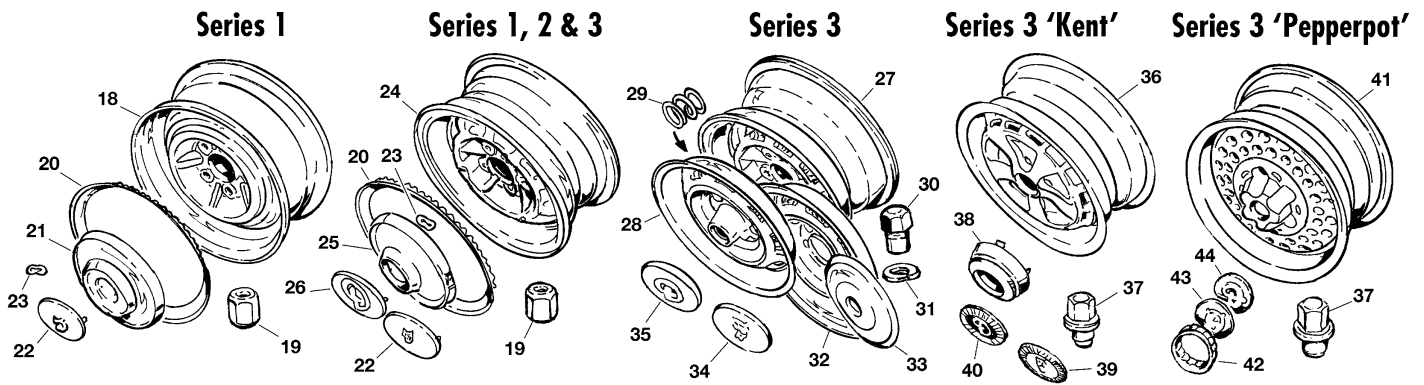
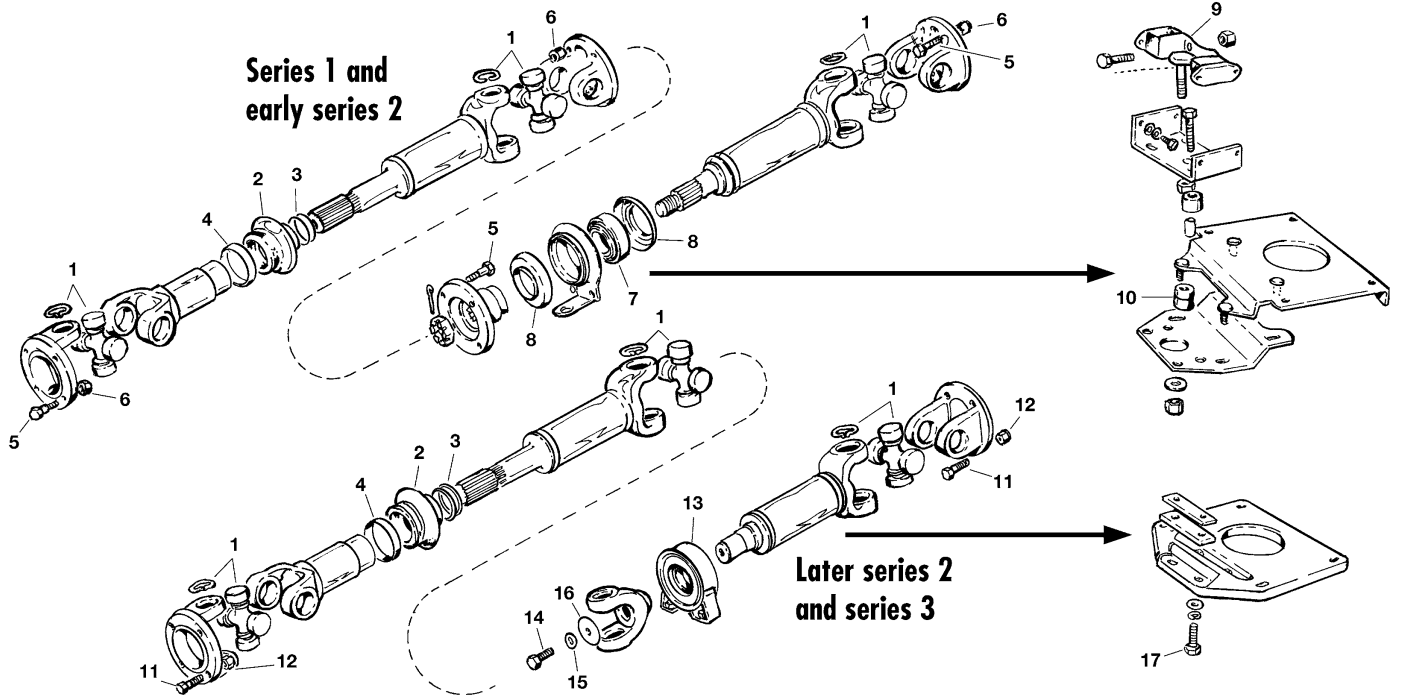
Automatic gearbox XJ6 & XJ12, rebuild (Borg-Warner & GM)



Gearbox cooler : see cooling pages !

ILL N°	PART N°	QTY	DESCRIPTION	APPLICATION	
1	020.292	1	Borg-Warner model 8	XJ6 4.2, Series 1, XJ6 3.4 Series 2 early models	
	020.293	1	Borg-Warner model 12	XJ6 4.2, Series 2 early models & also XJ12	
	020.294	1	Borg-Warner model 35	XJ6 2.8 Series 1	
	020.295	1	Borg-Warner model 65	XJ6 4.2, Series 2 later models and XJ6 3.4 later models	
	020.296	1	Borg-Warner model 66	XJ6 4.2, Series 3 & XJ6 3.4 Series 3	
	020.297	1	GM400 (General motors)	XJ12 late models	
	2	020.238	1	Torque converter for model 8	
		020.286	1	Torque converter for model 12	
		020.287	1	Torque converter for model 35	
		020.290	1	Torque converter for model 65	3.4L
020.298		1	Torque converter for model 65	4.2L	
020.288		1	Torque converter for model 66	3.4L	
020.289		1	Torque converter for model 66	4.2L	
020.291		1	Torque converter for GM400	Up to 1985	
3	016.890	1	Oil seal, front, BW8 & 12		
	016.221	1	Oil seal, front, BW35, 65 & 66		
4	116.197	1	Oil seal, front, GM400		
	016.737	1	Oil seal, rear, BW8		
	016.739	1	Oil seal, rear, BW12		
	023.012	1	Oil seal, rear, BW35, 65 & 66		
5	116.198	1	Oil seal, rear, GM400		
	104.254	1	'O' ring, speedometer drive, BW8, 12, 35, 65 & 66		
	116.199	1	'O' ring, speedometer drive, GM400		
	016.050	1	Oil seal, BW8, 12, 35, 65 & 66		
6	116.200	1	Oil seal, GM400		
	116.201	1	Sump gasket only, BW8 & 12		
7	116.164	1	Gasket set, BW8		
	116.193	1	Gasket set, BW12		
	116.176	1	Sump gasket only, BW35		
	016.855	1	Sump gasket set, BW35		
	016.772	1	Sump gasket only, BW65 & 66		
	116.194	1	Gasket set, BW65		
	116.195	1	Gasket set, BW66		
	116.202	1	Sump gasket only, GM400		
	8	016.844	1	Seal kit, BW8	
		026.588	1	Seal kit, BW12	
016.853		1	Seal kit, BW35		
026.589		1	Seal kit, BW65		
026.589		1	Seal kit, BW66		
026.705		1	Seal kit, GM400		
026.207		1	Filter kit, BW8		
9	026.590	1	Filter kit, BW12		
	026.591	1	Filter kit, BW35		
	026.088	1	Filter kit, BW65 & 66		
	026.731	1	Filter kit, GM400		

ILL N°	PART N°	QTY	DESCRIPTION	APPLICATION
10	234.573	1	Shift control cable	XJ6 Series 1 with BW8 or BW12, Series 2 with BW35 & XJ12 Series 1 & 2
	234.575	1	Shift control cable	XJ6 Series 3 with BW65 or BW66
	234.580	1	Shift control cable	XJ12 Series 3
	164.046	1	Washer	
172.344	1	Split pin		
083.052	1	Switch, reverse light	Up to XJ6 Series 3, VIN335136	
284.020	1	Bulb, bajonet		
084.123	1	Bulb, screw		
164.007	1	Washer shakeproof		
161.019	1	Nut		
088.035	1	Neutral-Safety/Kick-Down switch	XJ6 models up to 1982 (VIN335136) & all XJ12 models	
088.036	1	Neutral-Safety/Kick-Down switch	XJ6 models 1982on, VIN335137on	
024.913	1	Knob, female thread		
185.874	1	Pair wooden gear lever knobs		
024.914	1	Knob, male thread		
185.874	1	Pair wooden gear lever knobs		
22	234.576	1	Kick-Down cable	XJ6 Series 1 with BW 8 or early BW12 automatic g/box
	234.577	1	Kick-Down cable	XJ6 Series 1 with late BW12 or Series 2 with BW35 autom. g/box
	234.578	1	Kick-Down cable	XJ6 Series 2 & 3 with BW65 or BW66 autom. g/box (early models)
	234.579	1	Kick-Down cable	XJ6 Series 2 & 3 with BW65 or BW66 autom. g/box (later models)
	164.008	1	Washer, shakeproof	
	163.001	1	Washer, plain	
	161.330	1	Lock nut, thin	
	173.162	1	Clevis pin	
	163.013	2	Washer, plain	
	172.344	1	Split pin	
173.163	1	Clevis pin		
173.075	1	Clip		
139.308	1	Shift I.D. plate	XJ6 Series 1 with BW8	
139.309	1	Shift I.D. plate	XJ6 Series 1 with BW35 or BW12 and XJ6 Series 2 and XJ12	
139.310	1	Shift I.D. plate	XJ6 Series 3 up to 1982, (up to VIN335098)	
139.311	1	Shift I.D. plate	XJ6 Series 3 1982on, VIN335099on	
139.312	1	Shift I.D. plate	XJ6 Series 3 with cruise control, 1982 on	
139.313	1	Shift I.D. plate	XJ12 with GM400, automatic g/box	
139.316	1	Brushes for sides of shift lever		
300.137	10	Automatic oil type F, see workshop manual for capacity		

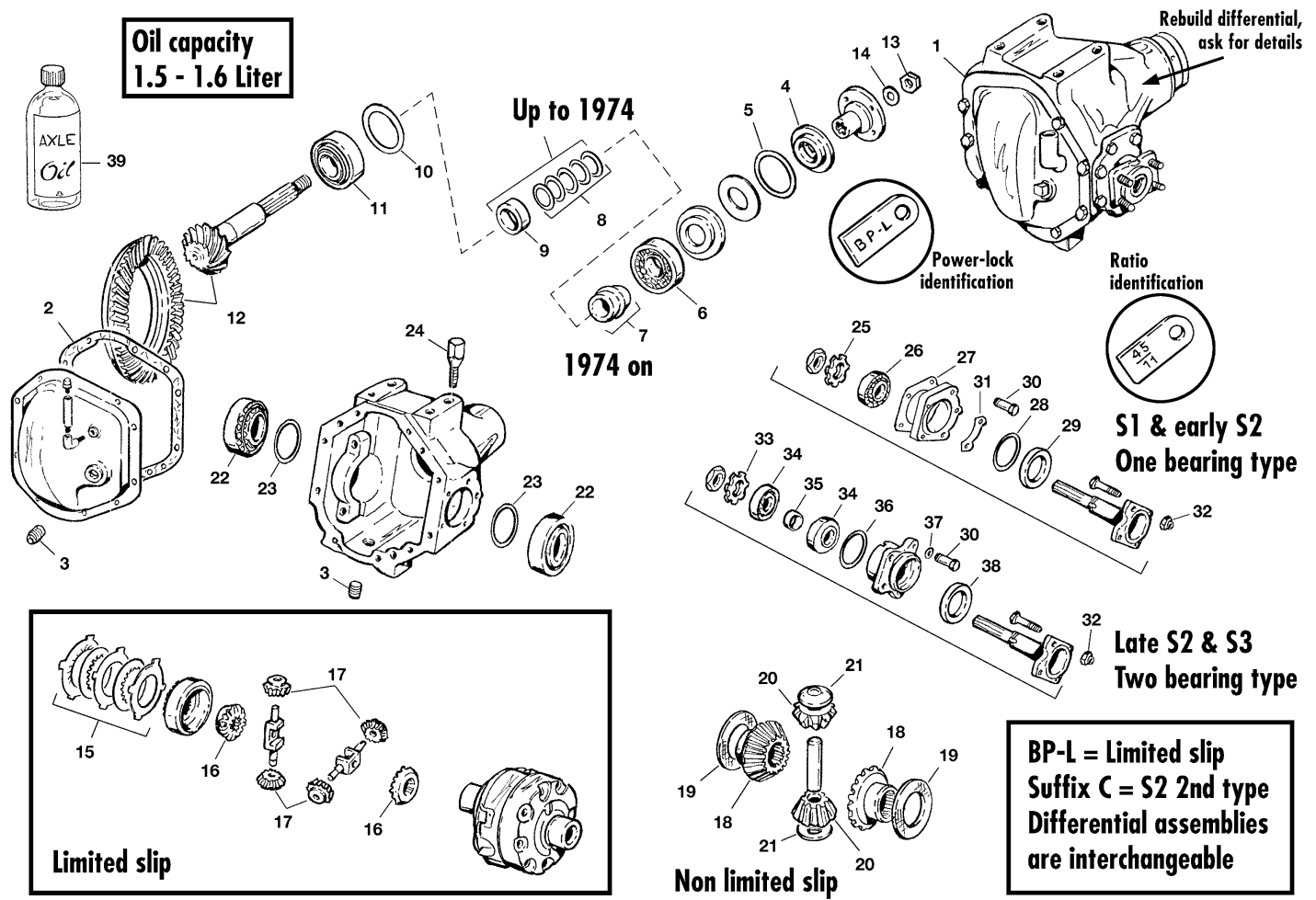


ILL N°	PART N°	QTY	DESCRIPTION	APPLICATION
1	032.193	3	Universal joint assembly	
2	085.444	1	Wheel cap emblem	
3	033.099	1	Ring, retaining	
4	033.100	1	Steel retaining ring	
5	162.463	12	Bolt, propshaft	
6	161.337	12	Lock nut, thin	
7	032.966	1	Bearing	
8	033.124	2	Dust shield	
9	041.853	1	Mounting pad	
10	122.465	4	Grommet	
11	162.463	8	Bolt, propshaft	
12	161.337	8	Lock nut, thin	
13	032.969	1	Bearing	
14	166.368	1	Screw, joint to shaft	
15	164.155	1	Washer, spring	
16	163.412	1	Washer, plain	
17	162.686	2	Screw	
18	046.180	5	Wheel, grey paint	Series 1
19	161.664	20	Wheel nut	
20	140.523	4	Chrome rim	
21	142.222	4	Hub cap	
22	085.444	4	Badge, hub cap, Jaguar	
23	173.034	8	Clip, badge to hub cap	

ILL N°	PART N°	QTY	DESCRIPTION	APPLICATION
24	046.182	5	Wheel, chrome and black	Series 1, 2 & 3
	046.181	5	Wheel, grey paint	Series 2
25	142.221	4	Hub cap	
26	085.501	4	Badge, hub cap, Daimler	
27	046.183	5	Wheel, grey paint	Series 3
28	140.697	4	Wheel trim, disc	Series 3
29	171.175	20	Spring, wheel trim	
30	161.767	20	Wheel nut	
31	163.413	20	Plastic washer	
32	140.698	4	Wheel trim, disc	Series 3
33	048.255	4	Hub cap	Series 3
34	085.445	4	Badge, wheel trim, Jaguar	
35	142.521	4	Badge, wheel trim, Daimler	
36	046.153	5	Wheel, alloy, 'kent style'	Series 3 & also some Series 2
37	161.768	20	Wheel nut, 'kent' style alloy wheel	
38	142.223	4	Centre cap	
39	085.445	4	Badge, Jaguar	
40	142.521	4	Badge, Daimler	
41	046.184	5	Wheel, alloy, 'pepperpot' style alloy wheel	
42	142.224	4	Badge retainer	
43	085.445	4	Badge, Jaguar	
44	142.521	4	Badge, Daimler	



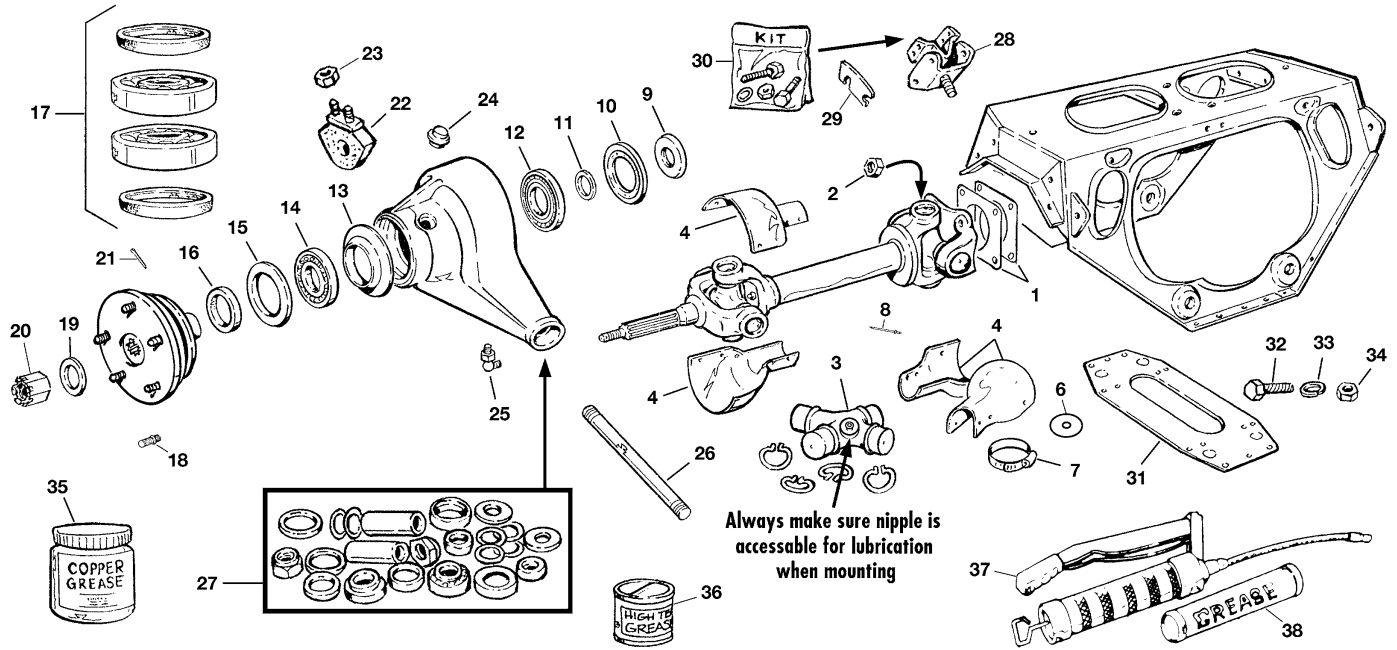
Differential



FOR LATEST S3 MODELS WITH DANA TYPE DIFF. ASK FOR DETAILS

ILL N°	PART N°	QTY	DESCRIPTION	APPLICATION
1		1	Rebuild differential, ask for details	
2	016.658	1	Gasket, rear cover	
3	032.816	2	Drain or filler plug	
4	032.837	1	Oil seal, pinion, ID 1 9/16" 39.70mm	Series 1 & early Series 2
	032.940	1	Oil seal, pinion, ID 1 7/8" 47.60mm	Series 2 late & Series 3
5	032.838	1	Gasket, oil seal	
6	032.334	1	Pinion bearing, outer	
7	032.943	1	Collapsible spacer, 1974 on	
8	032.832	A/R	Outer shim .005" 0.127mm	Up to 1974
	032.833	A/R	Outer shim .010" 0.254mm	Up to 1974
9	032.878	1	Spacer, up to 1974	
10	032.827	A/R	Inner shim .003" 0.076mm	
	032.828	A/R	Inner shim .005" 0.127mm	
	032.829	A/R	Inner shim .010" 0.254mm	
11	032.944	1	Pinion bearing, inner	
12	033.242	1	Crown wheel & pinion 2.88:1 (49/17)	
	033.234	1	Crown wheel & pinion 3.058:1 (52/17)	
	033.102	1	Crown wheel & pinion 3.07:1 (43/14)	
	032.879	1	Crown wheel & pinion 3.31:1 (43/13)	
	032.877	1	Crown wheel & pinion 3.54:1 (46/13)	
	032.889	1	Crown wheel & pinion 4.09:1 (45/11)	
	032.880	1	Crown wheel & pinion 4.27:1 (47/11)	
	033.126	1	Crown wheel & pinion 4.55:1 (50/11)	
13	161.705	1	Pinion nut	
14	163.348	1	Washer, pinion nut	
15	032.992	1	Clutch pack, limited slip	
16	033.108	2	Side gear, limited slip	
17	032.900	4	Gear pinion mate	
18	032.842	2	Side gear	
19	032.843	2	Thrust washer, side gear	

ILL N°	PART N°	QTY	DESCRIPTION	APPLICATION
20	032.844	2	Gear pinion mate	
21	032.845	2	Thrust washer, gear pinion mate	
22	032.818	2	Bearing	
23	032.819	A/R	Shim for bearing .003" 0.076mm	
	032.820	A/R	Shim for bearing .005" 0.127mm	
	032.821	A/R	Shim for bearing .010" 0.254mm	
	032.822	A/R	Shim for bearing .030" 0.762mm	
24	166.116	4	Bolt, axle to frame, extra strong	
25	032.995	2	Tab washer	
26	033.118	2	Bearing	
27	033.004	A/R	Shim .003" 0.076mm	
	033.005	A/R	Shim .005" 0.127mm	
	033.006	A/R	Shim .010" 0.254mm	
	033.007	A/R	Shim .030" 0.76mm	
28	033.001	2	'O' ring	
29	033.008	2	Oil seal	
30	166.374	10	Bolt	
31	174.190	4	Tab plate	
32	161.079	8	Nut locking	
33	032.995	2	Tab washer	
34	032.997	4	Bearing	
35	032.998	2	Sleeve	
36	033.002	2	'O' ring	
	033.003	2	'O' ring, DANA differentials only	Latest XJ models only!
37	164.150	10	Washer, spring	
38	033.009	2	Oil seal	
39	300.119	2	1L Limslip 85W/140 oil	For limited slip differential (most common)
	300.118	2	1L Hypoid 85W/140 oil	For NON limited slip differential



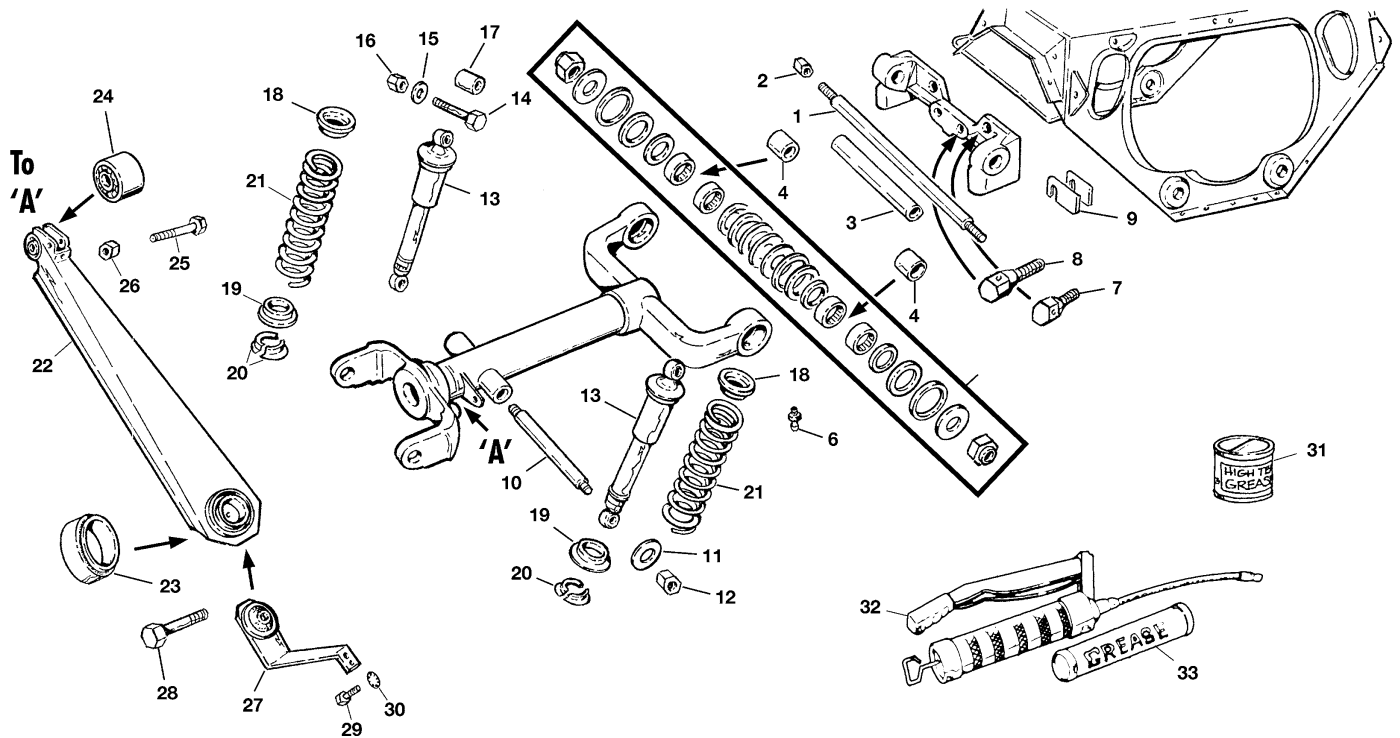
ILL N°	PART N°	QTY	DESCRIPTION
1	032.962	A/R	Camber adjusting shim
2	161.079	8	Locking nut
3	032.956	4	Universal joint assembly
4	032.960	4	Joint cover, pair
6	122.464	A/R	Plug, plastic
7	172.265	A/R	Clamp
8	152.083	16	Rivet
9	041.856	2	Ring, seal seating, inner
10	032.935	2	Oil seal, inner side
11	041.857	A/R	Shim 0.110" 2.790mm
	041.858	A/R	Shim 0.112" 2.845mm
	041.859	A/R	Shim 0.114" 2.892mm
	041.860	A/R	Shim 0.116" 2.942mm
	041.861	A/R	Shim 0.118" 2.993mm
	041.862	A/R	Shim 0.120" 3.048mm
	041.863	A/R	Shim 0.122" 3.099mm
	041.864	A/R	Shim 0.124" 3.150mm
	041.865	A/R	Shim 0.126" 3.201mm
	041.866	A/R	Shim 0.128" 3.252mm
	041.867	A/R	Shim 0.130" 3.302mm
	041.868	A/R	Shim 0.132" 3.353mm
	041.869	A/R	Shim 0.134" 3.404mm
	041.870	A/R	Shim 0.136" 3.455mm
	041.871	A/R	Shim 0.138" 3.506mm
	041.872	A/R	Shim 0.140" 3.556mm
	041.873	A/R	Shim 0.142" 3.607mm
	041.874	A/R	Shim 0.144" 3.658mm
	041.875	A/R	Shim 0.146" 3.709mm
	041.876	A/R	Shim 0.148" 3.760mm
	041.877	A/R	Shim 0.150" 3.811mm

ILL N°	PART N°	QTY	DESCRIPTION
12	041.878	2	Inner bearing
13	033.119	2	Water thrower shield
14	041.879	2	Outer bearing
15	041.882	2	Oil seal, outer side
16	041.884	2	Ring, seal seating, outer
17	041.880	2	Bearing kit, included Ill. No. 10, 12, 13, 15 & 21
18	167.323	10	Wheel stud
19	032.963	2	Washer, stub axle
20	032.964	2	Nut, stub axle
21	172.327	2	Cotter pin
22	041.849	2	Bump stop rubber
23	161.330	4	Nut nylock
24	122.467	2	Plug, sealing
25	041.161	2	Grease nipple
26	033.029	2	Outer fulcrum shaft
27	033.121	2	Repair kit, one side, outer fulcrum
28	041.847	4	Rear sub frame mounting
29	041.850	8	Packing piece, at each side
30	033.132	1	Bolting kit for mountings, 40 pieces
31	232.435	1	Bracing plate
32	162.045	14	Screw
33	164.002	14	Washer, spring
34	161.330	14	Nut locking
35	186.034	1	Copper grease
36	330.040	1	500gr high melt grease
37	200.604	1	Grease pump
38	186.021	1	Grease cartridge, LMX grease for general use



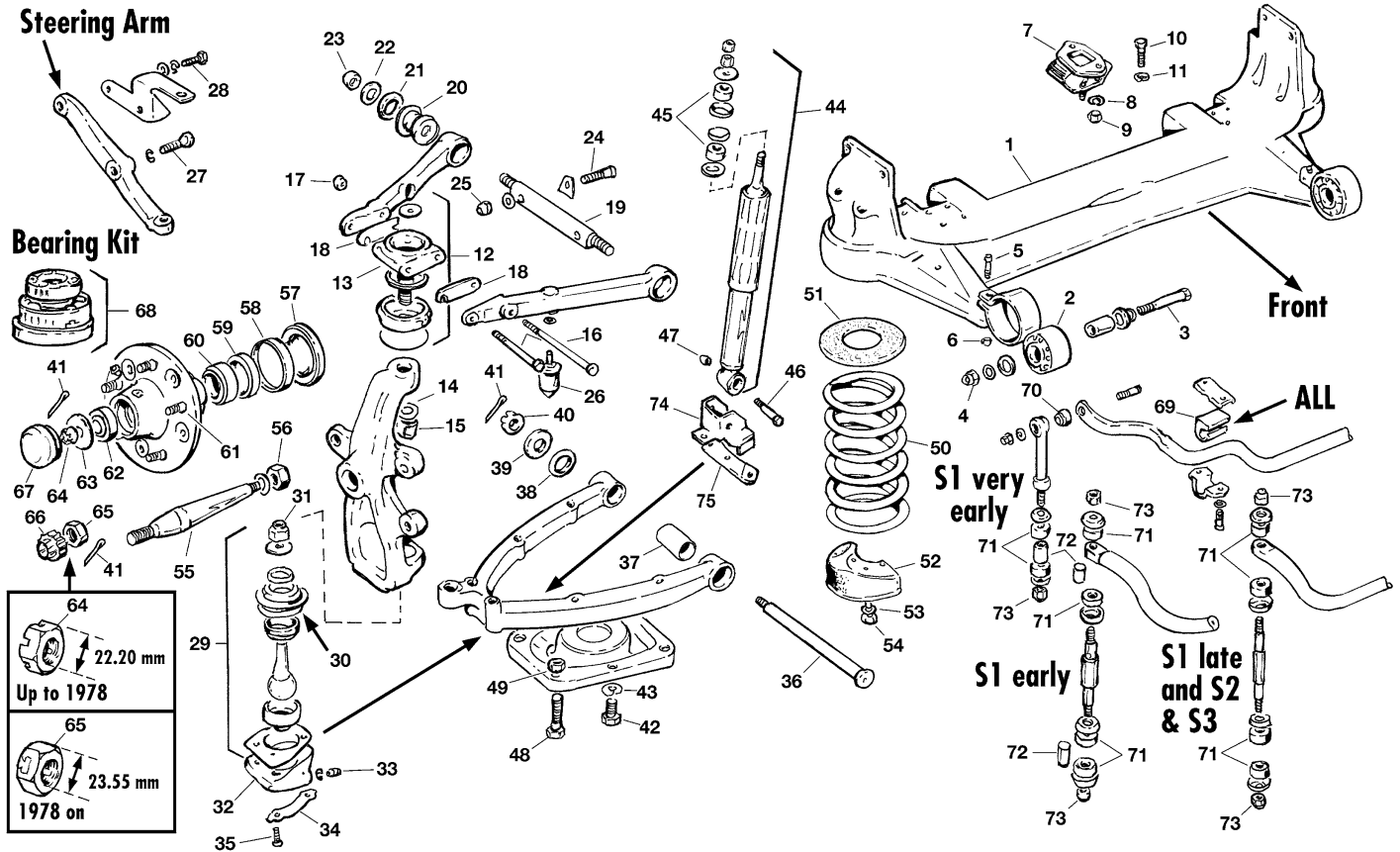
Jaguar XJ6 & XJ12 • Daimler Sovereign & Double Six

Rear suspension springs, radius arm, inner fulcrum & shock absorbers



ILL N°	PART N°	QTY	DESCRIPTION	APPLICATION
1	033.017	2	Inner fulcrum shaft	
2	161.017	4	Nut, nylock, comes also with kit Ill. No. 5	
3	033.018	2	Distance tube	
4	032.739	4	Shaft bearing tube, 28.5mm	
5	033.120	2	Repair kit, one inner fulcrum	
6	061.382	4	Grease nipple, early models, 3/8"	
	041.066	4	Grease nipple, later models, 1/4"	
7	165.954	2	Short bolt, bracket to differential	
8	165.953	2	Long bolt, bracket to differential	
9	033.035	A/R	0.005" 0.127mm Adjusting shim	
	033.036	A/R	0.007" 0.178mm Adjusting shim	
10	041.721	2	Support pin, shock absorber	
11	163.056	4	Washer, plain	
12	161.338	4	Nut, nylock	
13	045.053	4	Rear shock absorber, standard	
	042.845	4	Rear adjustable shock absorber, Koni	
	045.125	4	Rear adjustable shock absorber, Spax	
14	162.199	4	Upper bolt, shock absorber	
15	163.009	4	Washer, plain	
16	161.338	4	Nut, nylock	

ILL N°	PART N°	QTY	DESCRIPTION	APPLICATION
17	041.716	4	Sleeve	
18	048.257	4	Upper packing, coil spring	Series 1 & 2
	041.852	4	Upper packing, coil spring	Series 3
19	041.852	4	Lower packing, coil spring	
20	041.851	4	Split collet	
21	045.040	4	Coil spring	
22	045.047	2	Radius arm with bushes	
23	041.811	2	Bush, large, radius arm	
24	041.812	2	Bush, small, radius arm	
	041.925	2	Bush, small, radius arm, Polybush	
25	165.943	2	Bolt	
	174.140	2	Lock washer	
26	161.339	2	Nut, nylock	
27	033.034	2	Safety strap	
28	166.075	2	Bolt, safety strap & radius arm to body	
29	162.005	4	Bolt	
30	164.032	4	Washer, shakeproof	
31	330.040	1	500gr. high melt grease	
32	200.604	1	Grease pump	
33	186.021	1	Grease cartridge, LMX grease for general use	



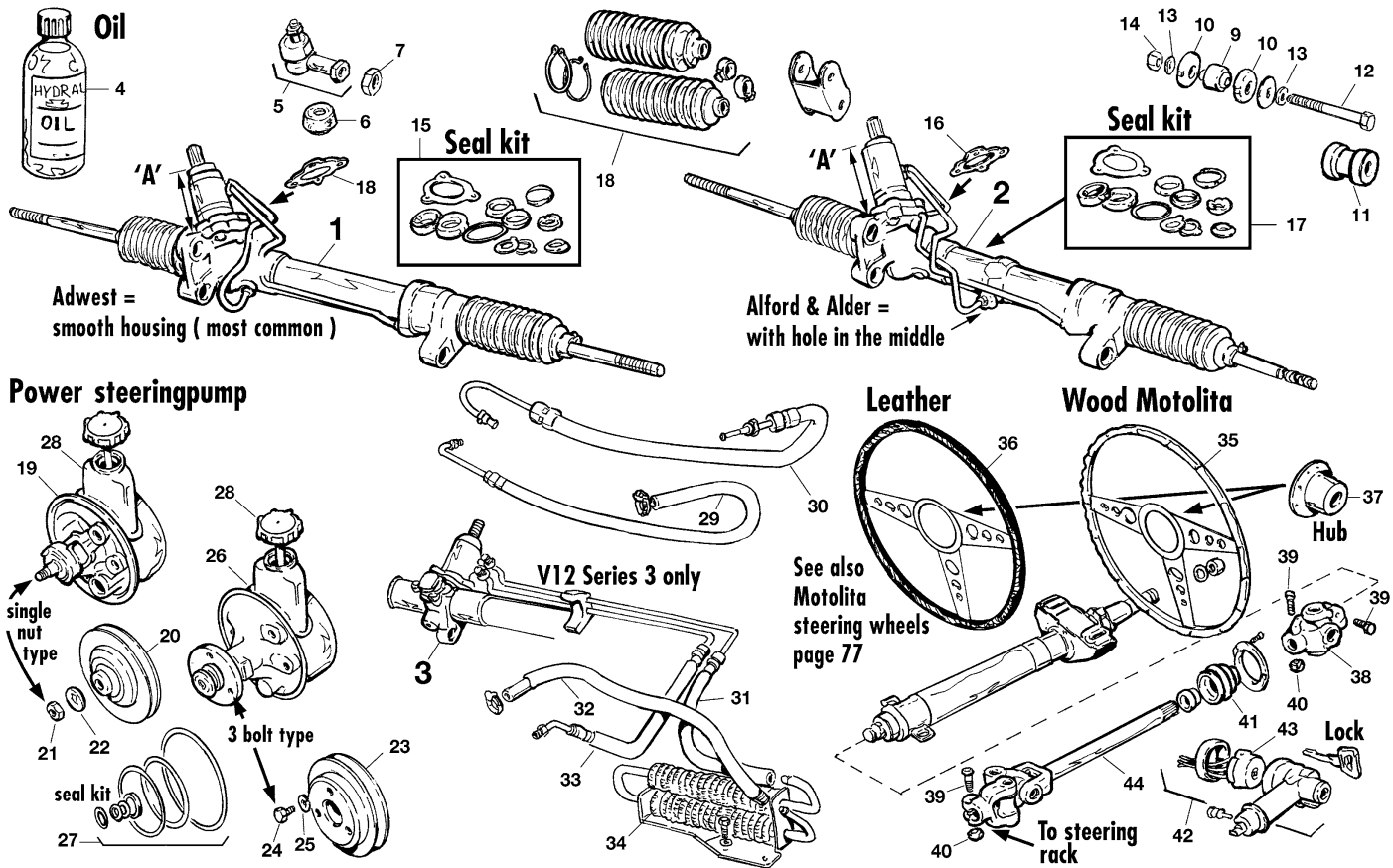
ILL N°	PART N°	QTY	DESCRIPTION
1	138.730	1	Crossmember
2	045.016	1	Bush, front
3	165.949	2	Bolt
4	161.055	2	Nut, nylock
5	165.782	2	Screw
6	161.017	2	Nut, nylock
7	045.017	2	Mounting rubber, rear
8	163.005	2	Washer, plain
9	161.025	2	Nut, nylock
10	162.524	4	Bolt, mounting to body
11	164.006	4	Washer, spring
12	042.245	2	Ball joint ass. upper, incl. ill. no 13, 14 & 15
13	041.194	2	Gaiter
14	163.004	2	Washer, plain
15	161.339	2	Nut, nylock
16	162.113	2	Bolt, long
	166.135	2	Bolt, short
17	161.025	4	Nut, nylock
18	041.737	A/R	Shim, castor adjustment
19	045.407	2	Upper shaft
20	041.783	4	Top bush, standard
	041.908	4	Top bush, polybush
21	041.709	8	Washer
22	041.725	4	Washer, plain
23	161.339	4	Nut, nylock
24	162.695	4	Bolt, upper shaft to crossmember
25	161.079	4	Nut, nylock
26	045.011	4	Upper bump stop
27	166.390	2	Bolt, steering arm
28	166.391	2	Bolt, steering arm, with hole for locking wire
29	045.009	2	Lower ball joint kit, incl. n° 30 & 31
30	049.061	2	Gaiter, clear
31	161.340	2	Nut nylock
32	048.006	2	Cup, lower ball joint
33	061.382	2	Grease nipple

ILL N°	PART N°	QTY	DESCRIPTION
34	174.136	4	Lock tab
35	166.123	8	Bolt, 1" long
	166.124	8	Bolt, 3/4" long for 'new' 045.009
36	041.707	2	Lower fulcrum pin
37	041.782	4	Lower bush, standard
	041.905	4	Lower bush, polybush
38	048.259	4	Washer, special
39	048.260	2	Washer
40	161.297	2	Castle nut
41	041.121	1	Split pin, kit
42	162.056	8	Bolt, pan to lower wishbone
43	164.006	8	Washer, spring
44	045.052	2	Front shock absorber, standard
	042.848	2	Front shock absorber, Koni
	045.394	2	Front shock absorber, Spax
45	041.493	4	Bush, poly bush, to upgrade your suspension
46	162.695	2	Bolt, shock absorber
47	161.338	2	Lock nut
48	162.676	4	Bolt, shock absorber mounting, bracket
49	161.025	4	Lock nut
50	045.063	2	Front spring, 2.8L
	045.013	2	Front spring, 3.4L, also non airco 4.2
	045.014	2	Front spring, 4.2L with airco
	045.064	1	Front spring, 5.3L
51	045.015	A/R	Packing ring 0.125"
52	045.010	2	Lower bump stop
53	164.031	4	Washer, internal shakeproof
54	161.002	4	Nut
55	048.249	2	Stub axle, up to 1978
	045.411	2	Stub axle, 1978 on
56	161.334	2	Nut nylock
57	048.010	2	Water deflector, fitted on stub axle
58	048.015	2	Water deflector, fitted on hub

ILL N°	PART N°	QTY	DESCRIPTION
59	041.818	2	Oil seal, up to 1978, see ill. No. 64
	041.819	2	Oil seal, 1978 on, see ill. No. 65
60	032.189	2	Inner bearing, up to 1978, see ill. No. 64
	041.821	2	Inner bearing, 1978 on, see ill. No. 65
61	167.305	10	Stud
62	041.335	2	Outer bearing, up to 1978, see ill. No. 64
	041.822	2	Outer bearing, 1978 on, see ill. No. 65
63	041.752	2	Washer, 'D', up to 1978, see ill. No. 64
	041.825	2	Washer, 'D', 1978 on, see ill. No. 65
64	161.297	2	Castle nut, 9.16" up to 1978
65	161.023	2	Flat nut, 5/8", 1978 on
66	041.827	2	Special lock washer/cap, use with ill. No. 65
67	041.753	2	Grease cap
68	041.886	2	Bearing kit, up to 1978
	045.413	2	Bearing kit, 1978 on
69	041.916	2	Mounting bush, std, very early XJ6 S1 only
	041.828	2	Mounting bush, std
	041.915	2	Mounting bush, polyurethane
	041.829	2	Mounting bush, std, XJ12, 13/16"
	041.917	2	Mounting, bush, polyurethane, XJ12
70	045.039	2	Bush, metal and rubber
71	041.835	8	Bush, standard
	041.911	8	Bush, polybush
72	044.010	4/2	Spacer, very early S1 use 2
73	161.337	4/2	Lock nut, very early S1 use 2
74	048.307	1	RH bracket, S1 & 2
	048.308	1	LH bracket, S1 & 2
	048.309	1	RH bracket, S3
	048.310	1	LH bracket, S3
75	048.311	2	Lower plate

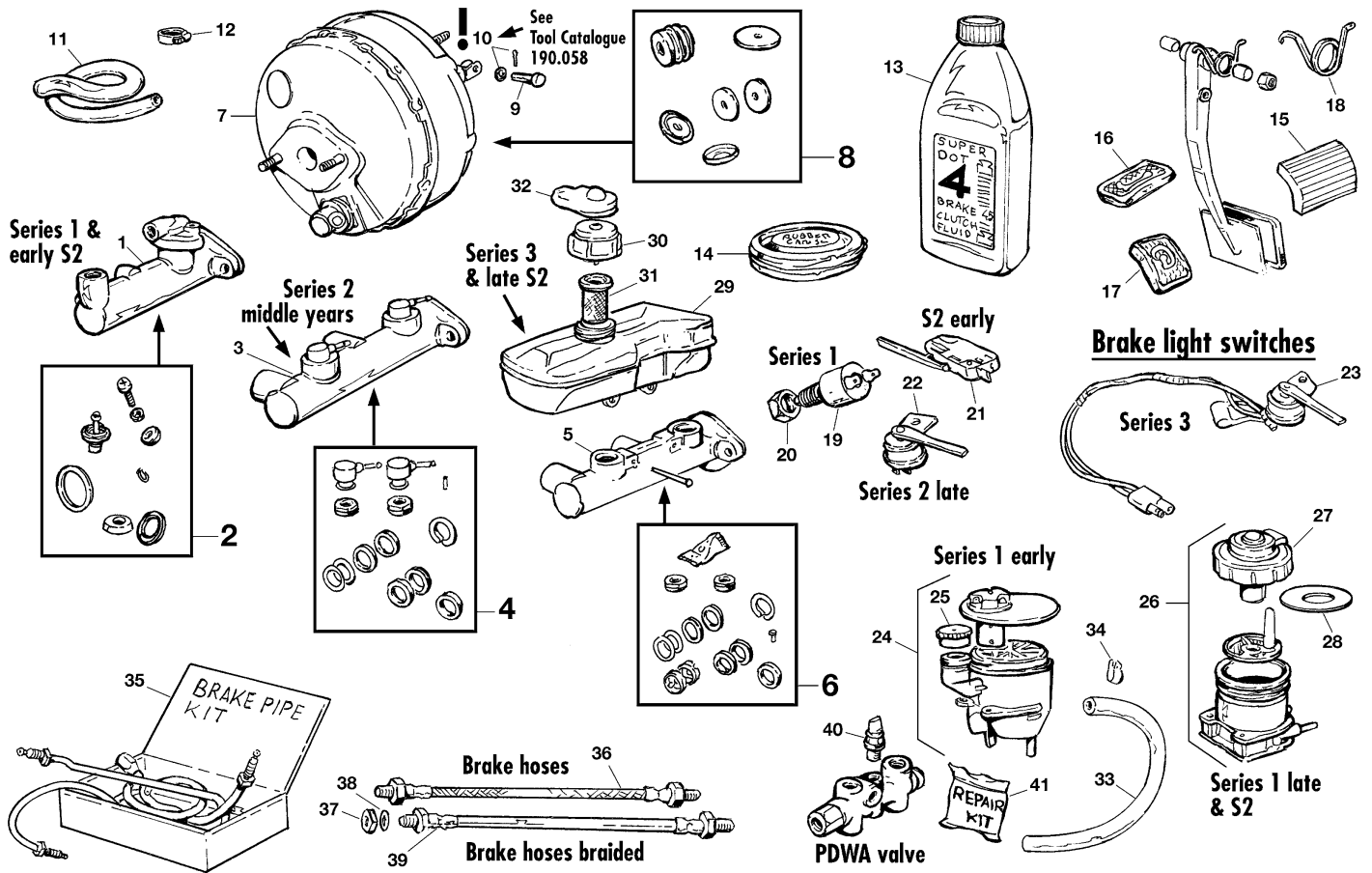


Steering



ILL N°	PART N°	Qty	DESCRIPTION	APPLICATION
1	043.795	1	Rebuild power steering, UNF, 'A' = 127mm	Up to 1978
	043.797	1	Rebuild power steering, UNF, 'A' = 83mm	1978 - 1983
	043.947	1	Rebuild power steering, Metric	1983 - 1986
	043.799	1	Rebuild power steering, Metric	1986 - 1993
2	043.796	1	Rebuild power steering, cast collar, UNF, 'A' = 83mm	1978 - 1983
3	043.801	1	Rebuild power steering, ZF, Metric	V12 Series 3, 1993 - 1994
4	330.095	1	Steering box oil, power steering	
5	043.807	2	Track rod end assembly, UNF thread	Up to May 1982
	043.808	1	Track rod end assembly, Metric thread	May 1982 on
6	043.029	2	Dust boot	
7	161.023	2	Lock nut, UNF thread	Up to May 1982
	161.766	2	Lock nut, Metric thread	May 1982 on
8	043.044	1	Boot kit, steering kit	
9	043.783	3	Steering rack mounting bush, STD	
10	043.782	6	Steering rack mounting washer, STD	
11	041.910	3	Steering rack mounting bush, Polybush, replaced Ill. No. 9 & 10	
12	165.346	3	Bolt	
13	163.001	6	Washer, plain	
14	161.330	3	Locknut	
15	043.877	1	Seal kit	XJ6 Series 1 up to VIN 1L54266
	043.951	1	Seal kit	XJ6 Series 1 VIN 1L54267-1L69098, XJ12 Series 1 up to VIN P50140
	043.952	1	Seal kit	XJ6 late S VIN 1L69099 on & S2 up to VIN 2T69450, XJ12 S1 from 1P50141 up to S2 VIN 2R53902
	043.954	1	Seal kit	XJ6 S2 VIN 2T69451 on, XJ12 S2 from 2 VIN 2R53603 on & S3
16	043.881	1	Gasket, tower	
17	043.953	1	Seal kit	XJ6 S2 VIN 2T69451 on & S3 up to VIN 314060
	049.087	1	Seal kit	XJ6 Series 3 VIN 314061 on
18	116.190	1	Gasket, tower	
19	043.767	1	Power steering pump. The pulley is retained by a single nut, incl. Ill. No. 28	Series 1 & early Series 2
20	061.683	1	Pulley, single nut type	
21	161.282	1	Nut	
22	174.101	1	Washer, tab	
23	061.794	1	Pulley, three screws type	
24	162.045	3	Screw	
25	164.002	3	Washer, spring	

ILL N°	PART N°	QTY	DESCRIPTION	APPLICATION
26	043.768	1	Power steering pump, the pulley is retained by 3 screws, high pressure hose is fitted with a brass metric thread, incl. Ill. No. 28 olive	Late Series 2 and early Series 3
	043.769	1	Power steering pump, the pulley is retained by screws bolts, high pressure hose is fitted with an 'O' ring, pump fitted with metric thread, incl. Ill. No. 28	Late Series 3
27	043.766	1	Seal kit	Fits all types
28	043.765	1	Filler cap	Fits all types
29	071.056	1	Low pressure hose	XJ6 up to 1977
	071.058	1	Low pressure hose	XJ6 1977 on
	071.153	1	Low pressure hose	XJ12 without fluid cooler
30	071.057	1	High pressure hose	XJ6 up to 1977
	071.059	1	High pressure hose	XJ6 1977 up to VIN 312606
	071.060	1	High pressure hose	XJ6 VIN 312607 on
	071.154	1	High pressure hose	XJ12 without fluid cooler
31	071.155	1	Low pressure hose	XJ12 with fluid cooler, steering rack to cooler
32	071.156	1	Low pressure hose	XJ12 with fluid cooler, cooler to pump
33	071.157	1	High pressure hose, pump to steering rack	XJ12 with fluid cooler
34	060.217	1	Fluid cooler	Later XJ12 models only
35	185.026	1	Woodrim steering wheel 35cm	Moto-lita
	185.027	1	Woodrim steering wheel 38cm	Moto-lita
36	185.156	1	Leather steering wheel 35cm	Moto-lita
	185.157	1	Leather steering wheel 38cm	Moto-lita
37	185.388	1	Hub, Jaguar	Up to 1973
	185.466	1	Hub, Jaguar	1973 up to 1986
	185.467	1	Hub, Jaguar	1986 on
	185.697	1	Hub	1987 on, Sovereign models
38	043.771	1	Steering joint assembly	
39	166.442	3	Bolt	
40	161.330	3	Lock nut	
41	043.774	1	Gaiter, steering column	Series 1
	043.775	1	Gaiter, steering column	Series 2 & 3
42	043.526	1	Steering lock & switch	Series 1 & 2
	043.528	1	Steering lock & switch	Series 3
43	088.887	1	Ignition switch only	Early Series 1
	088.225	1	Ignition switch only	Late Series 1 & Series 2
	088.784	1	Ignition switch only	Series 3
44	043.772	1	13" lower column	

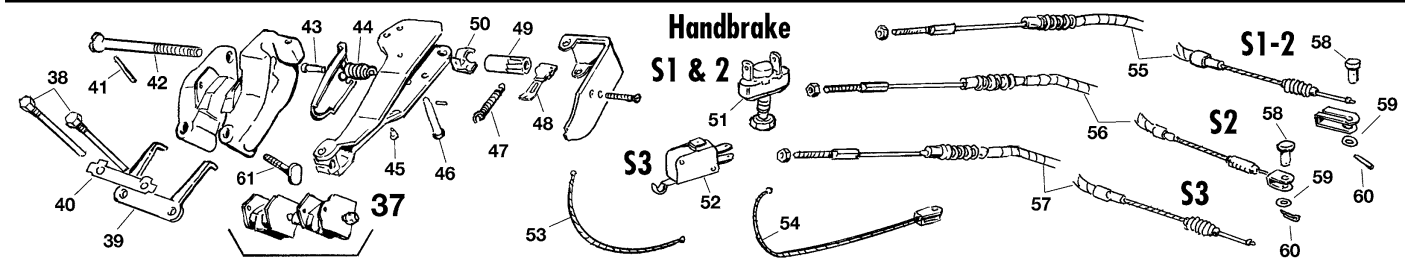
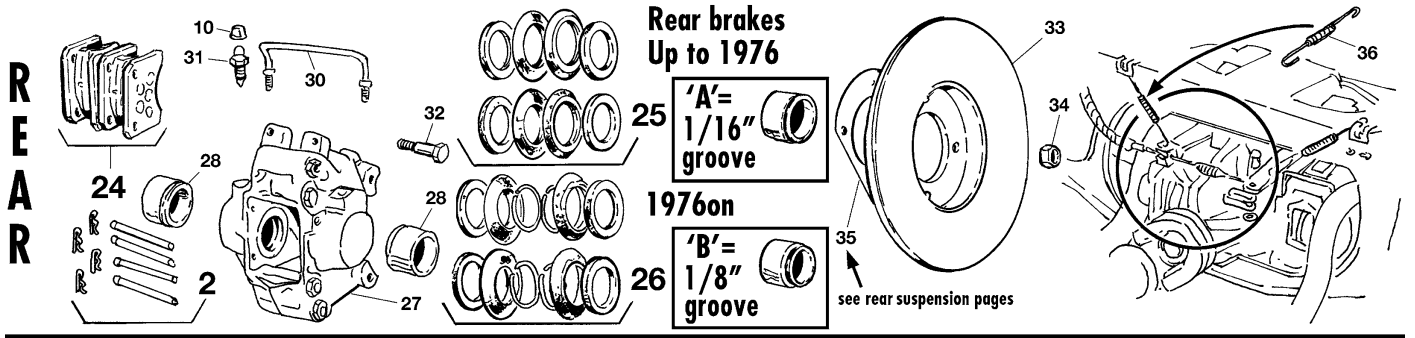
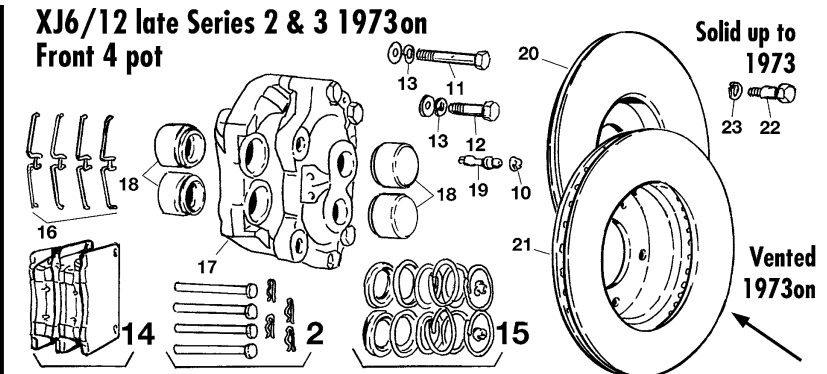
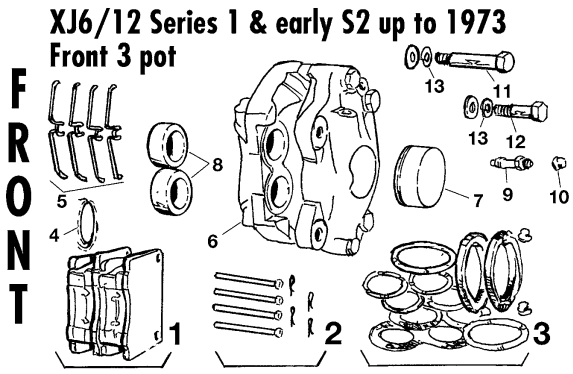


ILL N°	PART N°	QTY	DESCRIPTION	APPLICATION
1	053.321	1	Brake master cylinder	XJ6/12 Series 1 and early Series 2
2	052.806	1	Repair kit, brake cylinder	Series 1
3	053.322	1	Brake master cylinder	XJ6/12 Series 2 up to 1977, middle years
4	052.807	1	Repair kit, brake cylinder	Series 2
5	053.323	1	Brake master cylinder, has reservoir fitted on the cylinder	XJ6/12 Series 3, also late Series 2 models
6	052.808	1	Repair kit, brake cylinder	Series 3
7	053.625	1	Brake servo assembly	Series 1 early models
	053.324	1	Brake servo assembly, off-set stud configuration	Series 1 late and Series 2
	053.325	1	Brake servo assembly, square stud configuration	Series 2 & early Series 3
	053.676	1	Brake servo assembly, with ABS fitted	Series 3 XJ12 from 1991
8	052.791	1	Repair kit	All types
9	173.252	1	Clevis pin	
10			See tool catalogue 190.058	
11	054.105	1	1M servo hose 3/8" I/D	
12	172.864	2	Clamp	
13	053.039	1	1L Brake fluid DOT 4	
	053.018	1	1L Brake fluid SILICONE	
14	052.117	1	Rubber grease, special grease to be used with seal kit	
15	027.487	1	Brake pedal rubber	Automatic models, Jaguar/Daimler
16	027.425	1	Brake pedal rubber	Manual models, Jaguar
17	027.490	1	Brake pedal rubber	Manual models, Daimler
18	171.186	1	Spring, brake pedal return	
19	088.227	1	Brake light switch	Series 1
20	161.279	1	Lock nut	
21	088.891	1	Brake light switch	Early Series 2 models
22	088.776	1	Brake light switch	Late Series 2 models
23	086.762	1	Brake light switch	Series 3

ILL N°	PART N°	QTY	DESCRIPTION	APPLICATION
24	055.115	1	Brake fluid reservoir	Series 1
25	055.116	1	Filler cap only	
26	052.799	1	Brake fluid reservoir	Series 2
27	052.800	1	Filler cap only	
28	052.801	1	Seal	
29	052.802	1	Brake fluid reservoir	Series 3
30	052.803	1	Filler cap only	
31	052.804	1	Filter	
32	052.805	1	Rubber plug	
33	054.805	A/R	½ M low pressure hose	
34	172.859	A/R	Clamp	
35	254.078	1	Brake pipe set	XJ6 Series 1 (UNF thread) and very early XJ12
	254.079	1	Brake pipe set	XJ6 Series 2 (METRIC thread)
	254.080	1	Brake pipe set	XJ6 Series 3 (METRIC thread)
	254.081	1	Brake pipe set	XJ12 from 1973
36	054.520	2	Front brake hose, UNF thread	Up to Sept 1973
	254.072	2	Front brake hose, METRIC thread	Sept 1973 on
	054.521	1	Rear brake hose, UNF thread	Up to Sept 1973
	254.073	1	Rear brake hose, METRIC thread	Sept 1973 on
37	161.009	A/R	Lock nut, UNF	
	161.915	A/R	Lock nut, METRIC	
38	164.032	A/R	Internal shakeproof washer	
39	254.074	2	Stainless steel front brake hose, UNF thread	Up to Sept 1973
	254.076	2	Stainless steel front brake hose, METRIC thread	Sept 1973 on
	254.075	1	Stainless steel rear brake hose, UNF thread	Up to Sept 1973
	254.077	1	Stainless steel rear brake hose, METRIC thread	Sept 1973 on
40	086.125	1	Switch PDWA valve	
41	052.131	1	Repair kit	

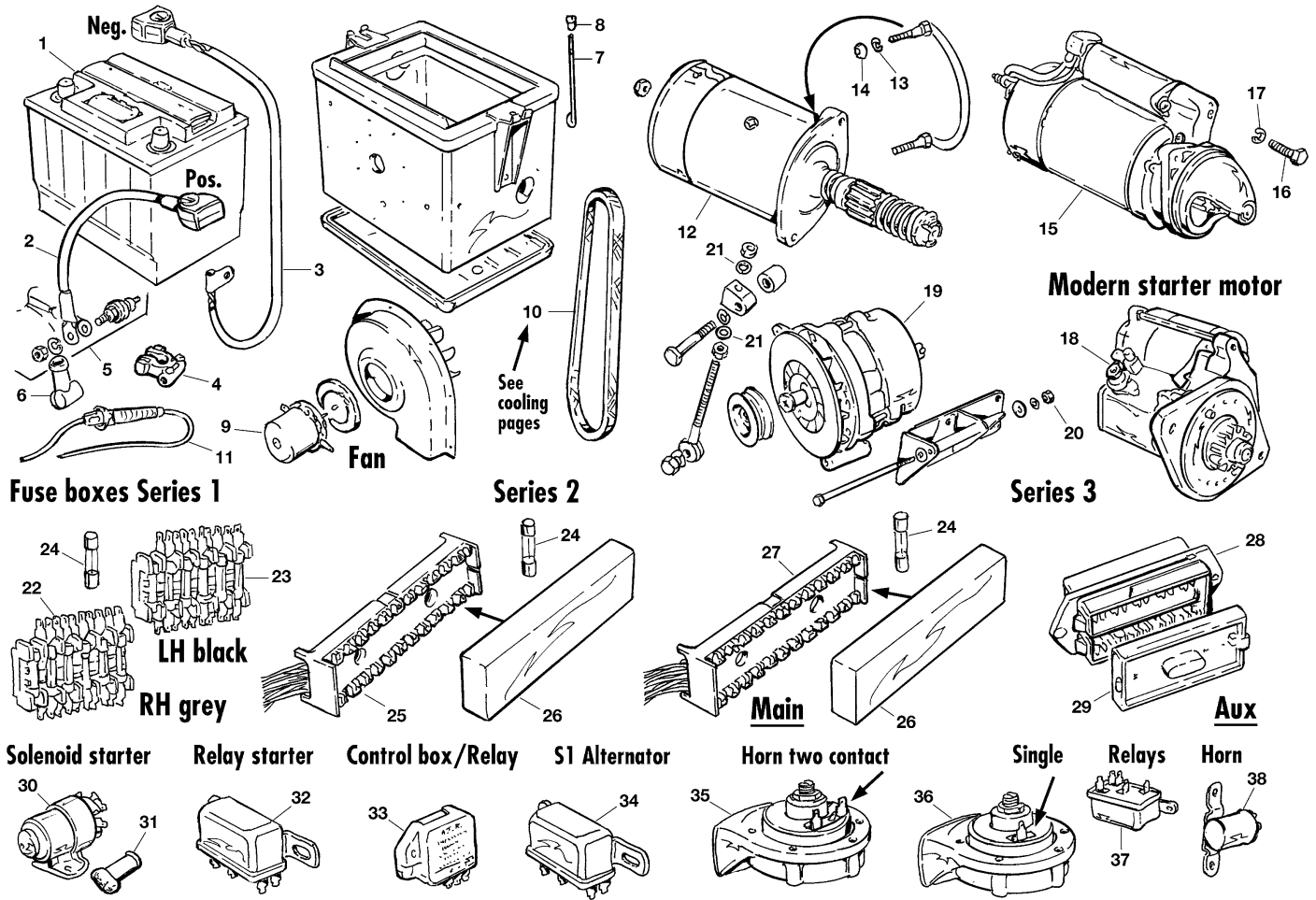


Front, rear & handbrakes



ILL N°	PART N°	QTY	DESCRIPTION	APPLICATION
1	053.331	1	Brake pad set, standard	Up to 1973
	053.306	1	Brake pad set, green stuff	Up to 1973
2	052.260	1	Set of 4 brake pad retaining pins and clips	
3	052.819	1	Seal kit, for two callipers (3 pot calliper)	
4	027.154	2	Soft wire for seal kit	
5	052.777	4	Anti-rattle clip	
6	050.340	1	RH Brake calliper assembly, 3 pot calliper	
	050.341	1	LH Brake calliper assembly, 3 pot calliper	
7	053.346	2	Piston, large, 57mm	
8	053.347	4	Piston, small, 41mm	
9	052.078	2	Bleed screw	
10	052.245	2	Dust cover	
11	166.390	2	Bolt, long, calliper	
12	165.443	2	Bolt, short, calliper	
13	164.021	4	Washer, spring	
14	053.336	1	Brake pad set, standard	1973 on
	053.308	1	Brake pad set, green stuff	1973 on
15	052.821	2	Seal kit, for two callipers, 4 pot calliper	
16	055.117	4	Anti-rattle clip	
17	050.342	1	RH Brake calliper, 4 pot calliper	
	050.343	1	LH Brake calliper, 4 pot calliper	
18	053.113	8	Piston, 48mm	
19	055.059	2	Bleed screw	
20	050.348	2	Front brake disc, solid	Up to 1973
	050.350	2	Front brake disc, vented	1973 on
22	165.442	10	Bolt, disc to hub	
23	164.021	10	Washer, spring	
24	053.332	1	Brake pad set, rear, standard	
	053.307	1	Brake pad set, rear, green stuff	
25	052.792	1	Seal kit, for two rear callipers, see piston 'A'	Up to 1976
26	055.030	1	Seal kit, for two rear callipers, see piston 'B'	1976 on
27	050.344	1	RH Rear brake calliper assembly, see piston 'A'	Up to 1976
	050.527	1	RH Rear brake calliper assembly, see piston 'B'	1976 on
	050.345	1	LH Rear brake calliper assembly, see piston 'A'	Up to 1976
	050.528	1	LH Rear brake calliper assembly, see piston 'B'	1976 on
28	053.345	4	Piston 'A', 1/16" groove	Up to 1976
	053.599	4	Piston 'B', 1/8" groove	1976 on
30	054.980	2	Bridge pipe	

ILL N°	PART N°	QTY	DESCRIPTION	APPLICATION
31	052.078	2	Bleed screw	
32	165.443	4	Bolt, calliper	
33	050.349	2	Rear brake disc	
34	161.079	8	locknut, nylon, see also rear suspension pages	
35			See rear suspension pages	
36	171.172	2	Handbrake return spring	
37	053.333	1	Handbrake pads set	
38	165.440	4	Bolt, attachment	
39	052.913	2	Retraction fork	
40	052.914	2	Lock tab	
41	172.344	2	Cotter pin	
42	165.451	2	Adjusting bolt, UNC course thread	
	165.450	2	Adjusting bolt, UNF fine thread	
43	052.904	2	Anchor pin	
44	052.903	2	Return spring	
45	052.904	2	Anchor pin	
46	052.910	2	Hinge pin	
47	052.906	2	Pawl tension spring	
48	052.905	2	Pawl assembly	
49	052.908	2	Handbrake ratchet nut	
50	052.909	2	Ratchet nut friction spring	
51	088.446	1	Handbrake warning light switch	Series 1 and 2
52	088.732	1	Handbrake warning light switch	Series 3
53	254.083	1	Upper handbrake cable	Series 1
	054.982	1	Upper handbrake cable	Early Series 2
54	054.869	1	Upper handbrake cable, with fork fitted	Late Series 2 and 3
55	054.983	1	Handbrake cable	SWB Series 1 and early Series 2, 1968-74
	254.084	1	Handbrake cable	LWB Series 1 and early Series 2, 1968-74
56	054.984	1	Handbrake cable	SWB late Series 2, 1974-79
	054.985	1	Handbrake cable	LWB late Series 2, 1974-79
57	054.870	1	Handbrake cable	Series 3, 1979 on
58	172.045	2	Clevis pin	
59	163.001	2	Washer, plain	
60	172.889	2	Split pin	
61	055.090	1	Handbrake pad fixing kit	



For cruise control, ask your local salesman

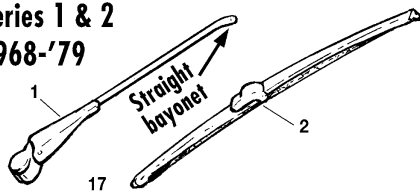
ILL N°	PART N°	QTY	DESCRIPTION
1	082.294	1	Battery for: XJ6, 2.8/4.2 Series 1, XJ6, 2.8/3.4/4.2 Series 2, XJ12, 5.3 Series 2. Daimler limousine 4.2 1985- on Dimensions: 260x173x206mm
	082.285	1	Battery for XJ12, 5.3 Series 1, Dimensions: 260x173x206mm
	082.295	1	Battery for XJ6, 3.4 Series 3, Daimler limousine 4.2 1982-'85 Dimensions: 278x175x175mm
	082.120	1	Battery for: XJ6, 4.2 Series 3, XJ12, 5.3 Series 3. Dimensions: 240x173x180mm
2	080.611	1	XJ6 Series 1 and 2 Pos. cable
	080.653	1	XJ6 Series 3 Pos. cable
3	080.612	1	XJ6 Series 1 and 2 Neg. cable
	080.654	1	XJ6 Series 1 and 2 Neg. cable
4	083.179	1	Battery terminal, positive, easy fit
	083.178	1	Battery terminal, negative, easy fit
5	088.124	1	Terminal post assembly
6	084.003	2	Rubber boot, cable
7	233.086	1	Battery bolt, long
	233.087	1	Battery bolt, short
8	161.912	2	Nut
9	082.291	1	Fan motor, battery cooling
10			See cooling pages
11	083.169	A/R	In-line fuse

ILL N°	PART N°	QTY	DESCRIPTION
12	082.090	1	Starter motor, XJ6 2.8 Series 1 manual
	082.128	1	Starter motor, XJ6 2.8 Series 1 automatic
13	164.006	2	Washer, spring
14	161.026	2	Nut
15	082.176	1	Starter motor, XJ6 3.4/4.2 Series 1, 2 & 3
	082.288	1	Starter motor, XJ12 all Series
16	162.048	2	Bolt UNF 6 cylinder models
	162.664	2	Bolt UNC 12 cylinder models
17	164.006	2	Washer, spring
18	082.156	1	Starter motor, 6 cyl., 2.8 manual
	082.157	1	Starter motor, 6 cyl., 3.4 & 4.2 engines
	082.158	1	Starter motor, 12 cyl, up to 1972, pinion dia. 29mm, 11 teeth
	082.188	1	Starter motor, 12 cyl, 1972 on, pinion dia. 25mm, 9 teeth
19	082.147	1	Alternator, XJ6, up to 1968
	082.174	1	Alternator, XJ6, 1969-1970 without airco
	082.175	1	Alternator, XJ6, 1969-1970 with airco
19	082.030	1	Alternator, XJ6, 1971-1976 with airco
	082.167	1	Alternator, XJ6, 1976-1980 with airco
	082.284	1	Alternator, XJ6, 1981-1987 with airco
	082.168	1	Alternator, XJ12

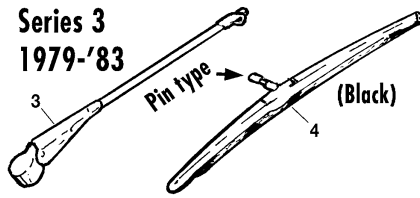
ILL N°	PART N°	QTY	DESCRIPTION
20	161.002	1	Nut
21	161.026	2	Nut
22	088.899	1	Fuse box, RH (grey) Series 1
23	088.900	1	Fuse box, LH (black) Series 1
24	083.166	A/R	Fuses (5) 10A
	083.165	A/R	Fuses (5) 15A
24	083.164	A/R	Fuses (5) 20A
	083.163	A/R	Fuses (5) 25A
	084.005	A/R	Fuses (5) 35A
	083.162	A/R	Fuses (5) 50A
25	088.901	1	Fuse box, Series 2
26	088.902	1	Fuse box cover, Series 2 & 3 (main)
27	088.903	1	Fuse box, Series 3 (main)
28	088.904	2	Fuse box, Series 3 (aux)
29	088.711	2	Fuse box cover, Series 3 (aux)
30	083.119	1	Solenoid, start motor XJ6 2.8
31	122.013	2	Boot, cover
32	083.120	1	Relay, starter, non ballast coil
	083.810	1	Relay, starter, ballast coil
33	082.063	1	Control box, alternator, early Series 1
34	083.120	1	Relay, field, alternator
35	083.124	1	Horn, high, two terminal
	083.125	1	Horn, low, two terminal
36	083.958	1	Horn, high, single terminal
	083.959	1	Horn, low, single terminal
37	083.120	1	Relay, horn, metal box, Series 1 & 2
38	083.425	1	Relay, horn, plastic, Series 3



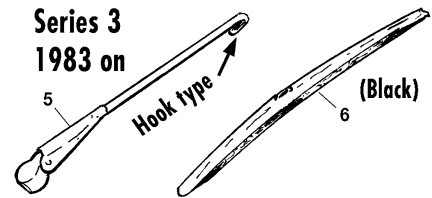
**Series 1 & 2
1968-'79**



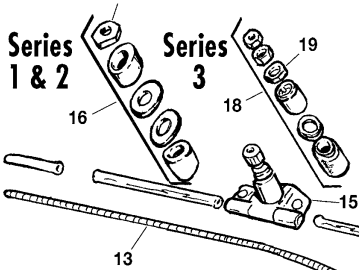
**Series 3
1979-'83**



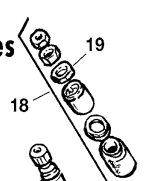
**Series 3
1983 on**



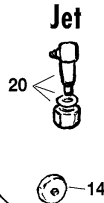
Series 1 & 2



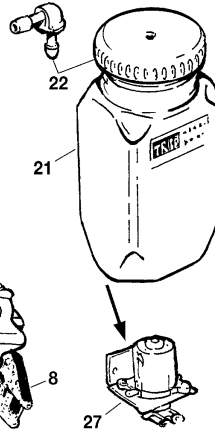
Series 3



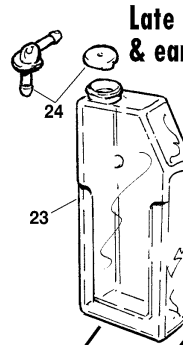
Jet



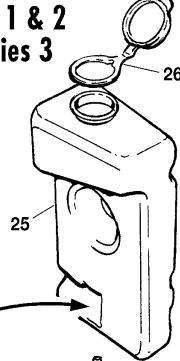
Early series 1



**Late series 1 & 2
& early series 3**



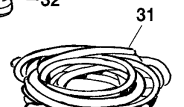
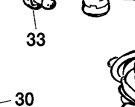
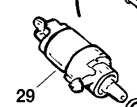
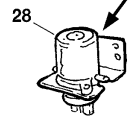
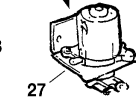
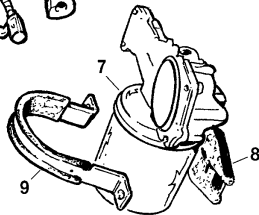
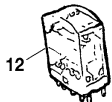
Late series 3



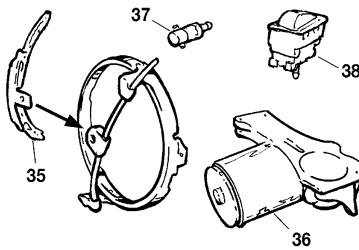
Park switch



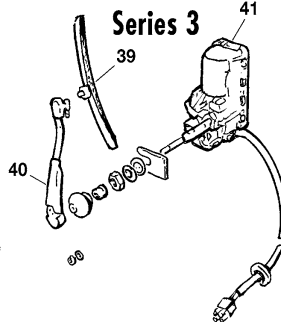
Brush plate



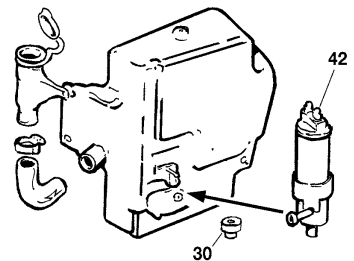
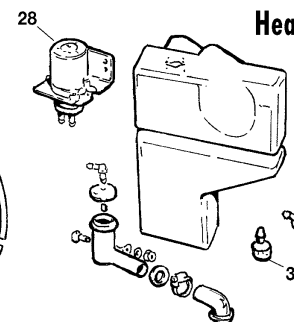
**Headlamp wiper/wash
series 2**



Series 3

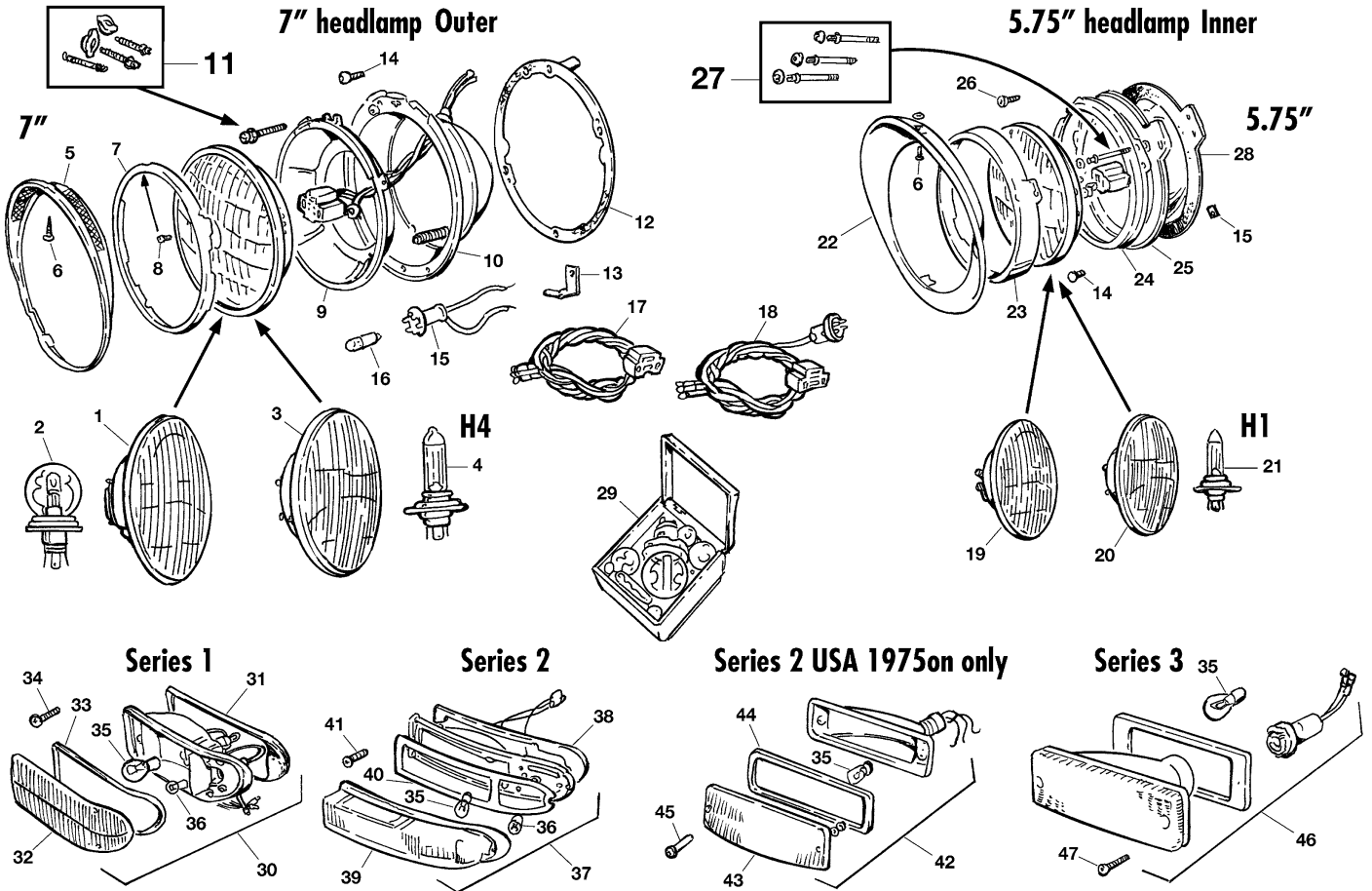


Headlamp wash/wipe bottle



ILL N°	PART N°	QTY	DESCRIPTION	APPLICATION
1	087.152	1	RH wiper arm	1968-79
	087.151	1	LH wiper arm	1968-79
2	087.101	2	Wiper blade	
3	087.153	1	LH wiper arm, pin type	1979-83
	087.154	1	RH wiper arm, pin type	1979-83
4	087.169	2	Wiper blade, pin type	1979-83
5	087.148	1	RH wiper arm, black, hook type	1983 on
	087.149	1	LH wiper arm, black, hook type	1983 on
6	087.150	2	Wiper blade, black, hook type	
7	082.192	1	Wiper motor, less gear	Series 1
	082.272	1	Wiper motor, less gear	Series 2
	082.252	1	Wiper motor, less gear	Series 3
8	133.138	1	Pad	
9	133.137	1	Bracket	
10	083.853	1	Brush plate	
11	083.973	1	Park switch	Series 1
	086.174	1	Park switch	Series 2 & 3
12	088.906	1	Wiper relay	Series 2
	088.907	1	Wiper relay	Series 3
13	088.908	1	Wipe rack	Series 1
	088.888	1	Wiper rack	Series 2 & 3
14	122.199	1/3	Grammet	Series 2 & 3 use 3
15	083.105	2	Wiper box	Series 1 & 2
	088.828	1	RH wiper box	Series 3
	088.829	1	LH wiper box	Series 3
16	088.942	2	Escutcheon kit, wheel box	Series 1 & 2
17	083.106	2	Nut, chrome	
18	142.613	2	Escutcheon kit, wheel box	Series 3
19	083.106	2	Nut, chrome	
20	083.060	2	Jet, chrome	Series 1, 2 & early S3
	088.683	2	Jet, black	Late Series 3

ILL N°	PART N°	QTY	DESCRIPTION	APPLICATION
21	088.843	1	Washer bottle	Early Series 1
22	088.454	1	Filler cap, washer bottle	
23	088.844	1	Washer bottle, non headlamp wash type	Late Series 1, Series 2 and early Series 3
24	088.909	1	Filler cap, washer bottle	
25	088.845	1	Washer bottle, build-in washer pump, non headlamp wash type	Late Series 3
26	088.910	1	Filler cap, washer bottle	
27	083.294	1	Washer pump	Early Series 1
28	088.831	1	Washer pump	Late Series 1, Series 2 and early Series 3
29	088.832	1	Washer pump, build-in type	Late Series 3
30	086.567	1	Sealing, washer pump to bottle	
31	083.055	1	Washer tubing set	
32	083.054	1	Valve, fits in bottle ILL. No. 21 & 23	
33	083.057	1	In-line valve	Series 2 & 3
34	088.191	1	Tubing connector	
	083.056	1	'T' piece	Series 3
35	087.147	2	Wiper blade, headlamp	Series 2
36	082.006	2	Wiper motor, less gear	
37	088.911	2	Jet, headlamp washer	Series 2
38	088.912	1	Switch, headlamp wiper/wash	Series 2
39	087.111	2	Wiper blade, headlamp	Series 3
40	087.109	1	RH headlamp wiper arm	
	087.110	1	LH headlamp wiper arm	
41	088.913	1	RH headlamp wiper motor	
	088.914	1	LH headlamp wiper motor	
42	088.915	1	Washer pump	XJ Series 3 late



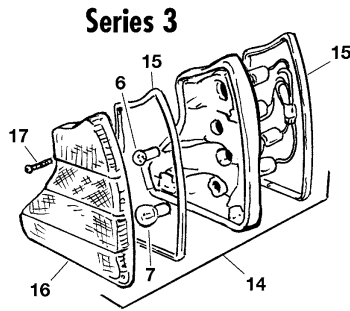
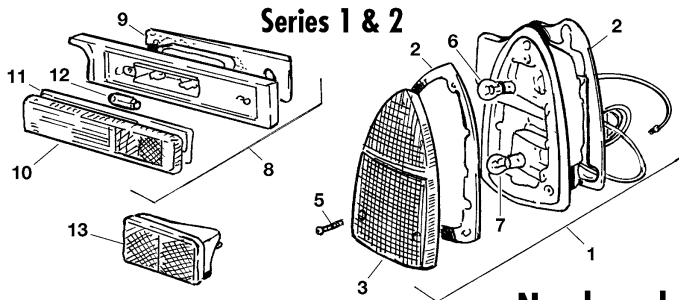
ILL No	PART No	QTY	DESCRIPTION	APPLICATION
1	084.082	2	Lamp unit 7" 'E' approved	
	084.105	2	Lamp unit 7" 'E' approved, with pilot light	
2	084.054	2	Headlamp bulb	
3	084.103	2	Lamp unit 7" H4 'E' approved	
	084.107	2	Lamp unit 7" H4 'E' approved, with pilot light	
4	084.110	2	H4 bulb	
5	284.105	2	Headlamp rim, with air intake grill	
6	166.456	2	Screw, headlamp rim	
7	084.087	2	Retaining rim	
8	166.065	6	Screw, retaining rim	
9	084.053	2	Inner retaining rim	
10	133.050	2	Headlamp bowl, less fittings	
11	084.051	2	Adjuster kit	
12	084.081	2	Seal, headlamp bowl to body	
13	173.225	2	Clip, headlamp rim	
14	162.729	8	Screw, bowl to front wing	
15	084.455	2	Bulb holder, bayonet	
16	084.113	2	Bulb, bayonet	
	084.128	2	Bulb, cap less	
17	084.052	2	Wiring and lamp socket	
18	084.500	2	Wiring and lamp socket for pilot light	
19	284.183	2	Lamp unit 5.75" sealed beam type	
20	284.182	2	Lamp unit 5.75" H1 (halogen)	
21	084.690	2	H1 bulb (halogen)	
22	084.977	2	Headlamp rim	
23	284.428	2	Inner rim	
24	284.265	2	Retaining rim	
25	284.211	2	Bowl, less fittings	
26	166.065	6	Screw, inner rim	
27	284.212	2	Adjuster kit	
28	284.457	2	Seal, headlamp bowl to body	
29	084.602	1	Bulb kit, 7 pieces spare bulb kit, not H4/H1	
30	084.919	1	RH side/indicator lamp, amber/white	European
	084.920	1	LH side/indicator lamp, amber/white	European
	084.927	1	RH side/indicator lamp, amber	USA
	084.928	1	LH side/indicator lamp, amber	USA

ILL No	PART No	QTY	DESCRIPTION	APPLICATION
31	284.028	1	RH gasket/rubber, lamp to body	
	284.029	1	LH gasket/rubber, lamp to body	
32	084.921	1	RH lens, amber/white	European
	084.922	1	LH lens, amber/white	European
	084.929	1	RH lens, amber	USA
	084.930	1	LH lens, amber	USA
33	284.030	2	Gasket, lens	
34	162.404	4	Screw	
35	084.063	2	Bulb 21/5W	USA models
	084.062	2	Bulb 21W	
36	084.069	2	Bulb 5W	
37	284.227	2	RH side/indicator lamp, amber/white	European
	284.228	2	LH side/indicator lamp, amber/white	European
	284.371	1	RH side/indicator lamp, amber, with pilot light fitted in headlamp	USA and later European models
	284.372	1	RH side/indicator lamp, amber, with pilot light fitted in headlamp	USA and later European models
38	284.376	1	RH gasket/rubber, lamp to body	
	284.377	1	LH gasket/rubber, lamp to body	
39	284.229	1	RH lens, amber/white	European
	284.230	1	LH lens, amber/white	European
	284.374	1	RH lens, amber, with pilot light fitted in headlamp	USA and later European models
	284.375	1	LH lens, amber, with pilot light fitted in headlamp	USA and later European models
40	284.458	2	Gasket, lens	
41	162.404	4	Screw	
42	284.328	2	Side/indicator lamp	USA models 1975 on
43	084.256	2	Lens	
44	084.631	2	Gasket	
45	162.405	4	Screw	
46	284.087	2	Indicator lamp, amber, with pilot light fitted in headlamp	European models
	284.373	2	Side/indicator lamp, amber	USA models
47	162.046	4	Screw	



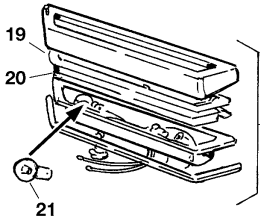
Jaguar XJ6 & XJ12 • Daimler Sovereign & Double Six

Rear lamps, side and small lamps

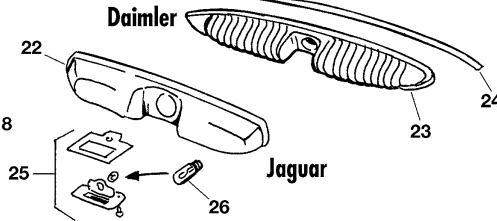


Number plate lamps

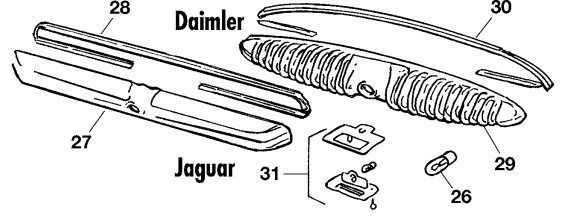
Series 1 early



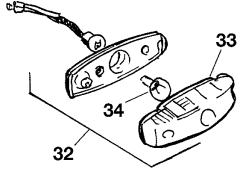
Series 1 late & Series 2



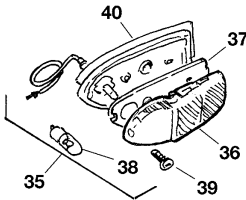
Series 3



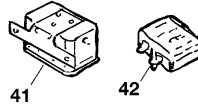
Side repeater Europe



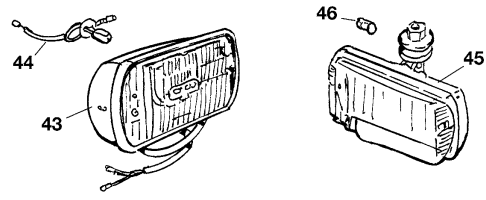
Side marker USA



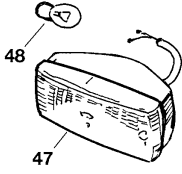
Headlamp dip relays Series 2



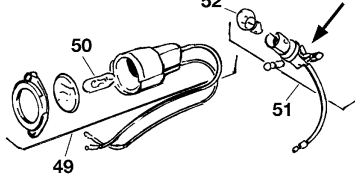
Spotlamps



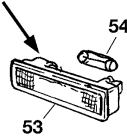
Rear fog lamp S3



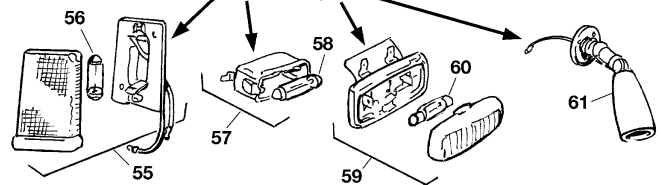
Doorlight



Bootlight



Interior light



ILL N°	PART N°	QTY	DESCRIPTION
1	284.071	1	RH rear lamp ass., amber/red, Europe
	284.072	1	LH rear lamp ass., amber/red, Europe
			Rear lamp ass., USA , ask for details
2	284.460	2	Gasket set, lamp to body and lens to lamp
3	084.803	1	RH rear lens, amber/red, Europe
	084.804	1	LH rear lens, amber/red, Europe
	284.386	1	RH rear lens, red, USA
	284.387	1	LH rear lens, red, USA
5	162.404	6	Screw
6	084.062	2	Bulb 21W
7	084.063	2	Bulb 21/5W
8	284.380	1	RH reverse lamp assembly
	284.381	1	LH reverse lamp assembly
9	284.461	2	Gasket, reverse lamp to body
10	284.384	2	Lens, reverse lamp
11	284.462	2	Gasket
12	084.125	2	Bulb 21W
13	284.209	1	RH reflector
	284.210	1	LH reflector
14	284.085	1	RH rear lamp ass., amber/red, Europe
	284.086	1	LH rear lamp ass., amber/red, Europe
			Rear lamp ass., USA , ask for details
15	284.472	2	Gasket set, lamp to body and lens to lamp
16	284.064	1	RH rear lens, amber/red, Europe
	284.065	1	LH rear lens, amber/red, Europe
	284.267	1	RH rear lens, red, USA
	284.268	1	LH rear lens, red, USA
17	162.404	8	Screw
18	284.319	1	Number plate lamp ass. fitted on rear bumper, early Series 1

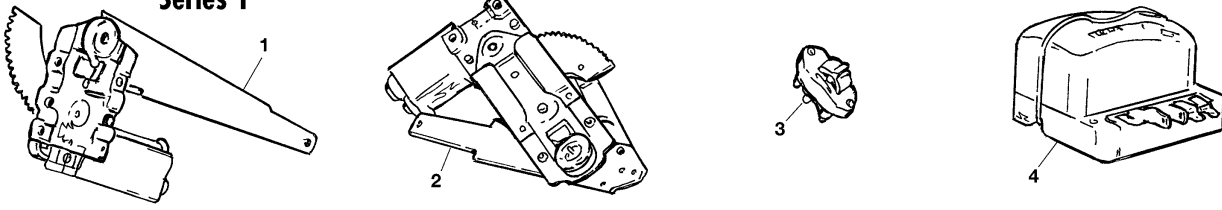
ILL N°	PART N°	QTY	DESCRIPTION
19	284.320	1	Lens
20	284.463	1	Gasket
21	084.069	2	Bulb
22	142.601	1	Chrome plinth, number plate, Jaguar
23	142.604	1	Chrome plinth, number plate, Daimler
24	221.002	1	Seal
25	284.321	2	Lens, number plate lamp
26	084.113	2	Bulb
27	284.083	1	Number plate lamp ass. Jaguar
28	121.768	1	Seal, number plate lamp to body
29	284.322	1	Number plate lamp ass. Daimler
30	284.464	1	Seal, number plate lamp to body
31	284.388	2	Lens, number plate lamp
32	284.063	2	Side repeater lamp assembly, Europe
33	084.465	2	Lens
34	084.128	2	Bulb
35	084.241	1	RH amber side marker ass. front, USA
	084.242	1	LH amber side marker ass. front, USA
	084.243	1	RH red side marker ass. rear, USA
	084.244	1	LH red side marker ass. rear, USA
36	084.245	1	RH amber lens
	084.246	1	LH amber lens
	084.247	1	RH red lens
	084.248	1	LH red lens
37	084.249	4	Gasket, lens to lamp
38	084.069	4	Bulb
39	162.405	4	Screw
40	084.250	4	Gasket, lamp to body
41	088.232	1	Dipping relay
42	088.917	2	Fuse box
43	084.646	2	Spot lamp assembly, Series 1
44	084.663	2	Bulb

ILL N°	PART N°	QTY	DESCRIPTION
45	284.294	2	Spot lamp assembly, Series 2 & 3
	284.379	2	Lens, glass
46	284.465	2	Bulb
47	284.066	2	Rear fog lamp assembly, Lucas, Series 3
	284.067	2	Rear fog lamp assembly, Bosch, Series 3
48	084.062	2	Bulb
49	284.466	2	Door warning lamp ass. black, Series 3
	284.467	2	Door warning lamp ass. silver, Series 3
50	284.468	2	Bulb
51	284.385	1	Boot lamp, Series 1 & 2
52	084.062	1	Bulb
53	084.970	1	Boot lamp assembly, Series 3
54	284.048	1	Bulb
55	084.939	1	Pair interior lamps, not coupe, Series 1, 2 and early Series 3
	284.469	2	Interior lamp, coupe, looks as ILL N° 53
	284.389	1	RH interior lamp, late Series 3
	284.390	1	LH interior lamp, late Series 3
56	284.048	2	Bulb 5W, Series 1, 2 & early, Series 3
	084.953	2	Bulb 10W, late Series 3
	284.470	2	Bulb, coupe
57	084.971	2	Map lamp, Series 1 & 2
58	284.471	2	Bulb
59	084.972	1	Glove box lamp, Series 3 up to VIN 369381
	084.973	1	Glove box lamp, Series 3 from VIN 369382
60	284.048	1	Bulb, 5W
61	084.597	1	Reading lamp

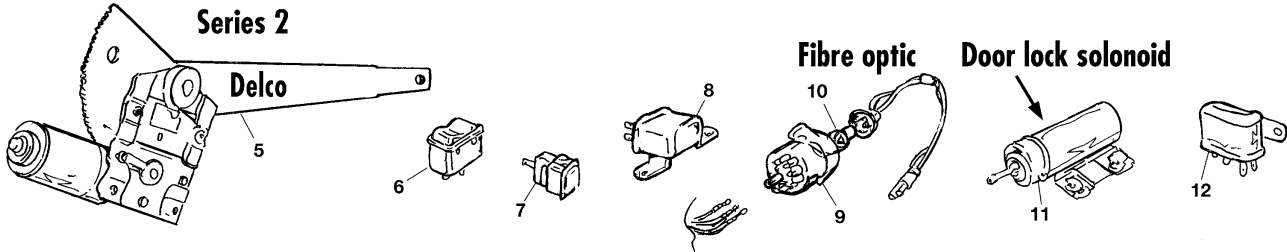
Window lift motors, door switches and antenna



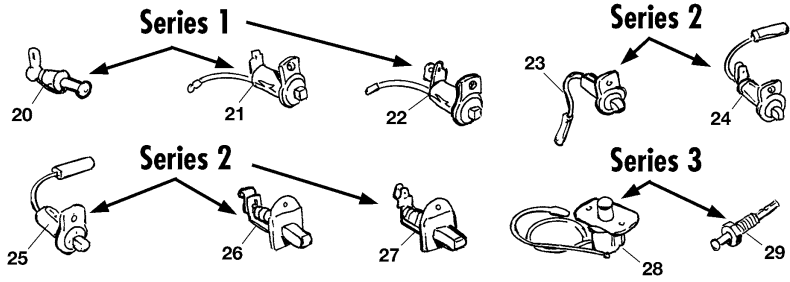
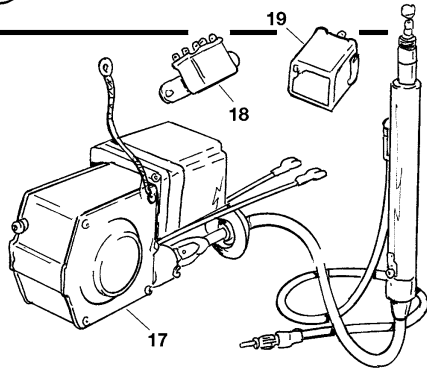
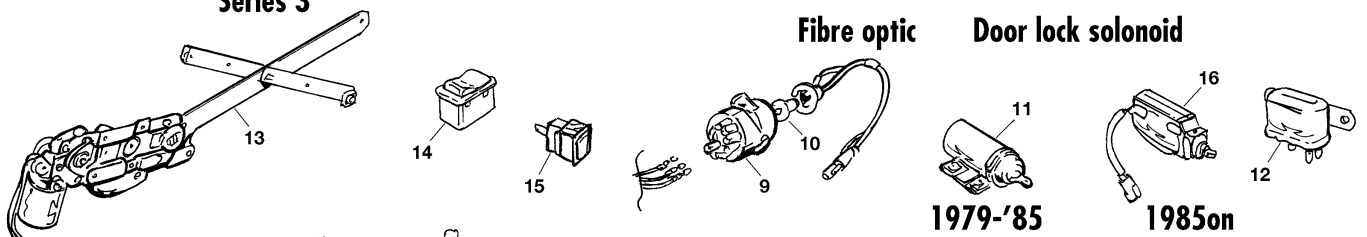
Series 1



Series 2



Series 3

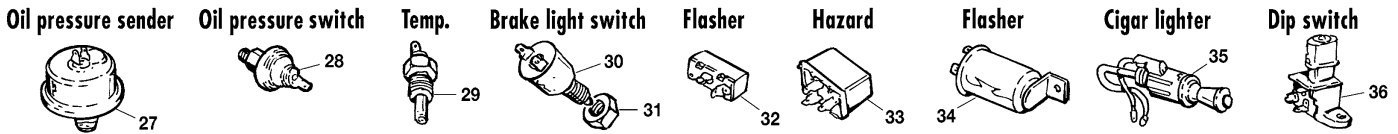
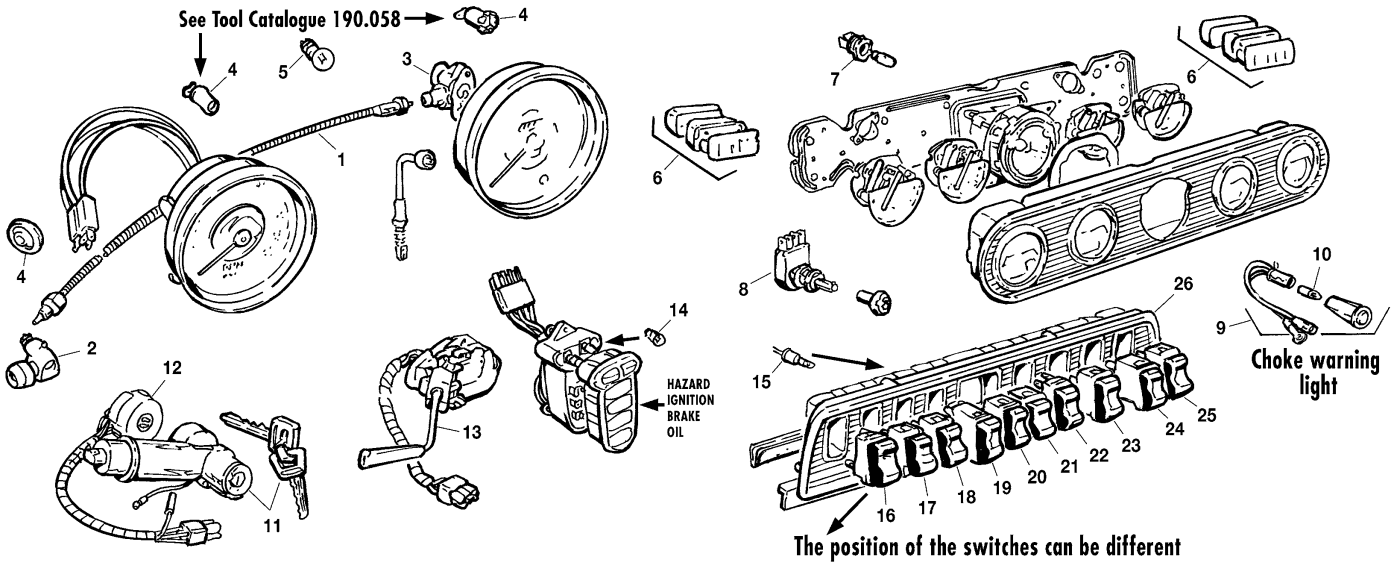


ILL N°	PART N°	QTY	DESCRIPTION	
1	082.289	1	Window lift motor, RH front	
	082.290	1	Window lift motor, LH front	
2	082.290	1	Window lift motor RH rear	
	082.289	1	Window lift motor, LH rear	
3	088.775	6	Switch, window lift, 4 fitted in console, 2 fitted in rear door	
4	082.296	1	Control box, window lift motors	
	082.292	2	Window lift motor, RH front or LH rear	Series 2 & early Series 3
	082.293	2	Window lift motor, LH front or RH rear	Series 2 & early Series 3
6	086.761	6	Switch, window lift, 4 fitted in front / 2 fitted at rear of the console	
7	083.614	1	Master switch, window lift switches	
8	086.219	1	Relay	
9	088.919	1	Fibre optic unit	
10	088.920	1	Bulb, fibre optic	
	088.687	2	Solenoid, door lock, RH front and RH rear	1979-85
	088.895	2	Solenoid, door lock, LH front and LH rear	1979-85
12	088.591	2	Relay, door lock	
	082.277	1	Window lift motor, RH front	1985 on, pre 1985, models use Ill. No. 5
	082.278	1	Window lift motor, LH front	1985 on, pre 1985, models use Ill. No. 5
	082.279	1	Window lift motor, RH rear	1985 on, pre 1985, models use Ill. No. 5
	082.280	1	Window lift motor, LH rear	1985 on, pre 1985, models use Ill. No. 5

ILL N°	PART N°	QTY	DESCRIPTION	
14	088.628	6	Switch, window lift, 4 fitted in front / 2 fitted at rear of the console	
15	083.614	1	Master switch, window lift switches	
	088.898	3	Solenoid, door lock, RH front and RH/LH rear	1985 on
	088.897	1	Solenoid, door lock, LH front	
17	088.593	1	Antenna assembly	Series 1 & 2
	088.618	1	Antenna assembly	Series 3
18	088.303	1	Relay	Series 1 & 2
19	088.921	1	Relay	Series 3
	088.049	1	Switch, antenna	Series 3
20	088.922	1	Door switch	Series 1
21	088.923	2	Door switch, rear	Series 1
22	088.771	2	Door switch, front	Series 1
23	088.924	2	Door switch, front	Series 2 early
24	088.925	2	Door switch, front	Series 2 (USA) early
25	088.813	2	Door switch, rear	Series 2 early
26	088.812	2	Door switch, front	Series 2 late
27	088.813	2	Door switch, rear	Series 2 late
28	088.681	5	Door/boot switch	Series 3
	083.951	2	Door warning lamp switch, front	Series 3
	086.935	2	Door warning lamp switch, rear	Series 3



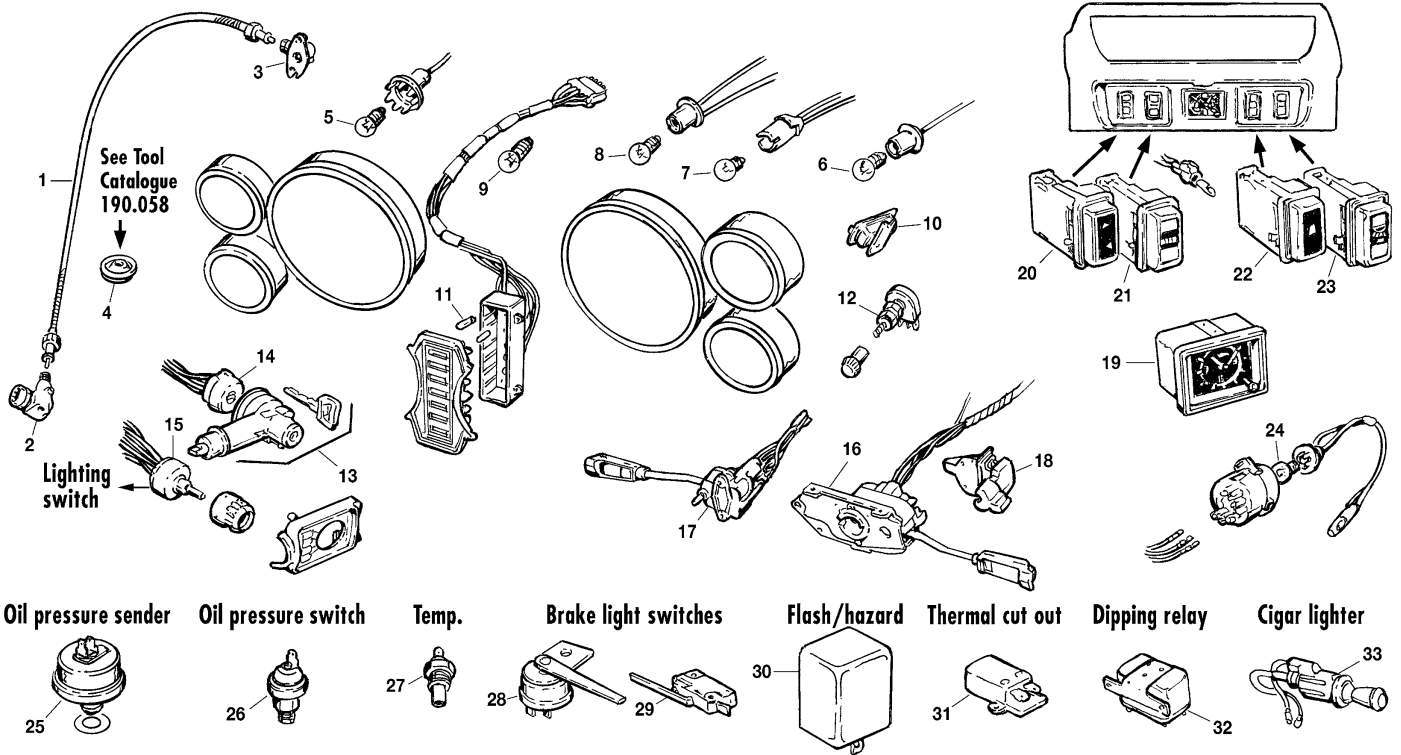
Series 1 dashboards and components



Dear customer, for more specific sensors etc., see engine and cooling pages!

ILL N°	PART N°	QTY	DESCRIPTION	APPLICATION
1	088.184	1	Speedo cable	2.8 and 4.2 Manual overdrive gearbox and automatic gearbox, 152cm
	088.773	1	Speedo cable	2.8 and 4.2 Manual non overdrive gearbox, 140cm
	083.458	1	Speedo cable	5.3 automatic XJ12, 160cm
2	086.843	1	Angle drive, fitted on gearbox	
3	088.850	1	Angle drive, fitted on speedometer	
4			See tool and accessories catalogue	
5	084.123	5	Bulb, speedometer and rev counter	
6	088.927	1	Voltage stabilizer	Early models fitted left, later models fitted right
7	284.475	2	Bulb, instrument binnacle	
8	083.038	1	Dimmer rheostat	
9	088.179	1	Choke warning light	
10	284.020	1	Bulb	
11	043.526	1	Steering lock assembly	
12	088.887	1	Switch	
13	088.590	1	Indicator switch	
14	284.476	6	Bulb, warning light cluster	
15	084.126	3	Bulb, indicator switch	
16	086.752	1	Switch, hazard warning	
17	088.984	1	Switch, rear heated window	

ILL N°	PART N°	QTY	DESCRIPTION	APPLICATION
18	086.753	1	Switch, interior/map light	
19	086.753	1	Switch, panel light	
20	088.774	1	Switch, side lights	
21	086.756	1	Switch, headlamp	
22	086.754	1	Switch, wiper	
23	086.758	1	Switch, windscreen washer	
24	086.755	1	Switch, fan heater	
25	088.916	1	Switch, fuel tank changeover	
26	088.174	1	Surround assembly, switches	
27	088.084	1	Sending unit, oil pressure sensor	Up to May 1976
	088.104	1	Sending unit, oil pressure sensor	May 1976 on
28	013.074	1	Oil pressure switch	
29	088.105	1	Water temperature Sensor	XJ6
	088.658	1	Water temperature Sensor	XJ12
30	088.227	1	Brake light switch	
31	161.279	1	Lock nut	
32	083.172	1	Flasher box	
33	083.486	1	Hazard box	
34	083.079	1	Flasher box, 3 pole	Some early models
35	088.153	1	Cigar lighter	
36	083.080	1	Dip switch	
	086.287	1	Rubber cap, fitted on switch	



Dear customer, for more specific sensors etc., see engine and cooling pages!

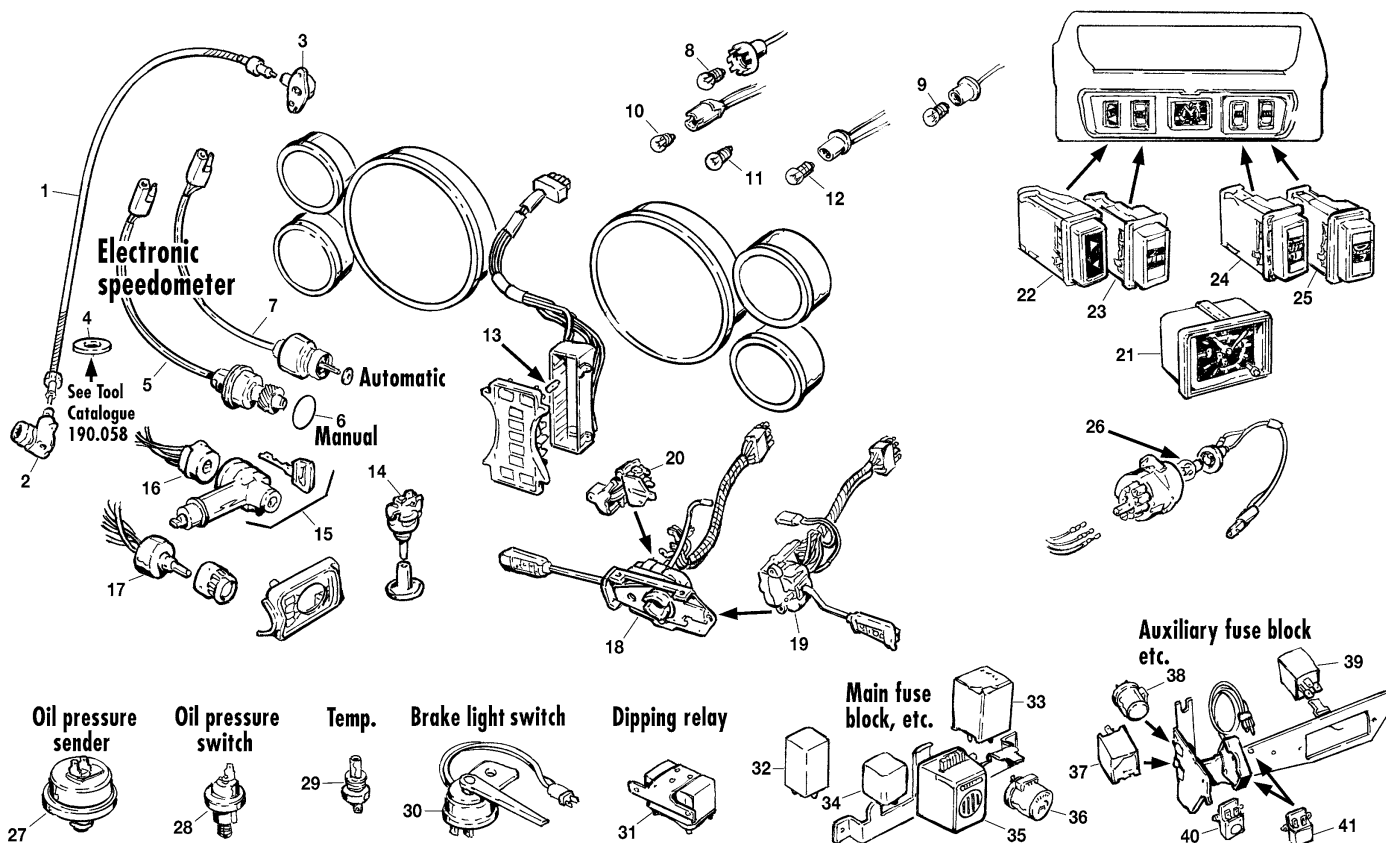
ILL N°	PART N°	QTY	DESCRIPTION	APPLICATION
1	088.272	1	Speedo cable	3.4 and 4.2, manual non overdrive gearbox, 163cm
	088.185	1	Speedo cable	3.4 and 4.2 manual overdrive gearbox, 173cm
	088.184	1	Speedo cable	3.4 and 4.2 automatic gearbox, XJ6, 152cm
	083.458	1	Speedo cable	5.3 automatic XJ12, 160cm
2	086.843	1	Angle drive, fitted on gearbox	
3	088.769	1	Angle drive, fitted on speedometer	
4			See tool and accessories catalogue	
5	084.123	2	Bulb, speedometer and rev counter	
6	084.123	4	Bulb, small instruments	
7	284.477	2	Bulb, direction	
8	284.478	1	Bulb, demist	
9	084.123	1	Bulb, choke	
10	083.091	1	Voltage stabilizer	
11	088.456	7	Bulb, warning light cluster	
12	088.783	1	Dimmer rheostat	
13	043.526	1	Steering lock assembly	
14	088.225	1	Switch, ignition	
15	088.777	1	Lighting switch	Up to 1975
	086.765	1	Lighting switch	1976 on

ILL N°	PART N°	QTY	DESCRIPTION	APPLICATION
16	088.646	1	Indicator switch	Early
	088.647	1	Indicator switch	Late (with speed control)
17	088.622	1	Windscreen wiper switch	
18	088.074	1	Switch, hazard	
19	088.421	1	Clock, time	
20	088.138	1	Switch, fuel tank changeover	
21	088.587	1	Switch, heated rear window	
22	088.779	1	Switch, map light	
23	088.778	1	Switch, interior light	
24	088.920	1	Bulb, fibro optic unit, see also window lift motor page	
25	088.084	1	Oil pressure Sensor	Up to May 1976
	088.104	1	Oil pressure Sensor	May 1976 on
26	013.074	1	Oil pressure switch	
27	088.105	1	Water temperature Sensor	XJ6
	088.658	1	Water temperature Sensor	XJ12
28	088.776	1	Brake light switch	Late Series 2
29	088.891	1	Brake light switch	Early Series 2
30	088.928	1	Flasher/hazard relay	
31	088.602	2	Thermal cut out, for doors and electric windows	
32	088.232	1	Dipping relay	
33	088.153	1	Cigar lighter	



Jaguar XJ6 & XJ12 • Daimler Sovereign & Double Six

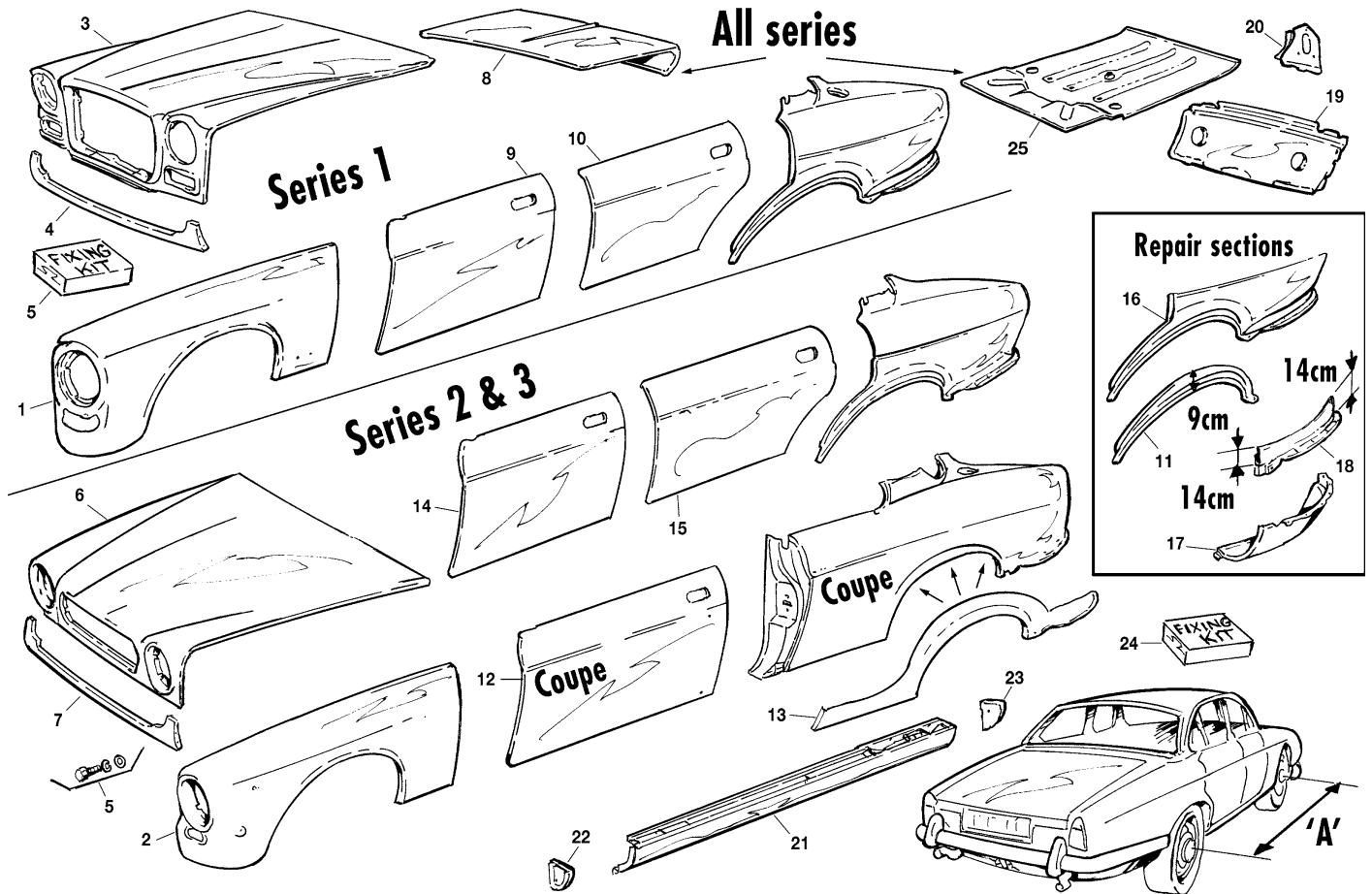
Series 3 dashboards, steering lock, switches, sensors and small components



Dear customer, for more specific sensors etc., see engine and cooling pages!

ILL N°	PART N°	QTY	DESCRIPTION	APPLICATION
1	088.929	1	Speedo cable	3.4 and 4.2 manual 5 speed gearbox, 139cm
	088.773	1	Speedo cable	3.4 and 4.2 automatic models XJ6, 140cm
	088.272	1	Speedo cable	Automatic, XJ12, 163cm
2	086.843	1	Angle drive, fitted on gearbox	
3	088.769	1	Angle drive, fitted on speedometer	
4			See tool and accessories catalogue	
5	088.930	1	Transducer	3.4 manual gearbox
	088.931	1	Transducer	4.2 manual gearbox
6	026.730	1	'O' ring	
7	088.052	1	Transducer	XJ6 automatic
	088.853	1	Transducer	XJ12 automatic
8	084.123	2	Bulb, speedometer and rev counter	
9	084.123	4	Bulb, small instruments	
10	284.477	2	Bulb, direction	
11	284.478	1	Bulb, demist	
12	084.123	1	Bulb, choke	
13	088.456	9	Bulb, warning light cluster	
14	088.783	1	Dimmer rheostat	
15	043.528	1	Steering lock assembly	
16	088.784	1	Switch, ignition	
17	088.932	1	Lighting switch	
18	088.656	1	Indicator switch	Early, XJ6 & 12 non cruise control
	088.933	1	Indicator switch	Late, XJ6 & 12 non cruise control
	088.655	1	Indicator switch	Early, XJ6 & 12 with cruise control
	088.688	1	Indicator switch	Late, XJ6 & 12 with cruise control
19	088.786	1	Windscreen wiper switch	Early, 20.50 cm wiring loom length
	088.657	1	Windscreen wiper switch	Early, 30.50 cm wiring loom length
	088.689	1	Windscreen wiper switch	Late

ILL N°	PART N°	QTY	DESCRIPTION	APPLICATION
20	088.051	1	Switch, hazard	
21	088.421	1	Clock	
22	088.044	1	Switch, fuel tank changeover	
23	088.045	1	Switch, heated rear window	
24	088.046	1	Switch, map light	
25	088.047	1	Switch, interior light	
26	088.920	1	Bulb, fibro optic unit, see also window lift motor page	
27	088.104	1	Oil pressure Sensor	
28	013.074	1	Oil pressure switch	
29	088.105	1	Water temperature Sensor	XJ6
	088.658	1	Water temperature Sensor	XJ12
30	086.762	1	Brake light switch	
31	088.232	1	Dipping relay	
32	088.262	1	Flasher/hazard relay	
33	088.629	1	Delay unit, heated rear window	
34	088.934	1	Bulb check unit	
35	088.935	1	Logic unit	
36	083.425	1	Load relay	
37	088.663	1	Light delay unit	
38	083.425	1	Window lift relay, see also window lift motor page	
39	088.630	1	Wiper relay unit	
40	088.602	1	Door/boot lock thermal cut out	
41	088.603	2	Electric window thermal cut out	



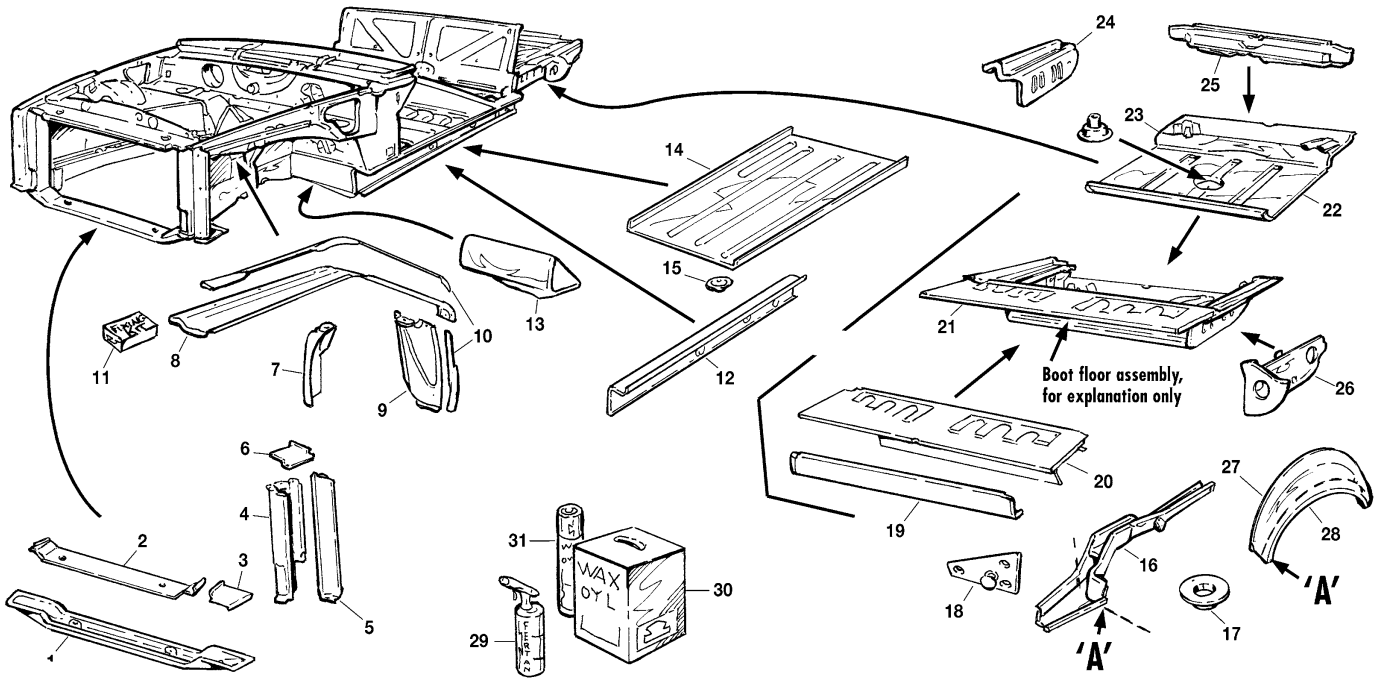
SWB = Short wheel base 'A' = 2.77M / LWB = Long wheel base 'A' = 2.87M
SWB = at least 90% Series 1 / LWB = about 90% Series 2 & 3

ILL N°	PART N°	QTY	DESCRIPTION	APPLICATION
1	138.456	1	RH Front wing	Series 1
	138.457	1	LH Front wing	Series 1
2	138.532	1	RH Front wing	Series 2
	138.549	1	RH Front wing	Series 3
	138.533	1	LH Front wing	Series 2
	138.550	1	LH Front wing	Series 3
	138.829	1	Bonnet	Series 1
4	232.898	1	Lower valance	Series 1
5	233.217	1	Kit, valance fixing	All Series
6	138.830	1	Bonnet	Series 2 & 3
7	232.899	1	Lower valance	Series 2 & 3
	138.831	1	Boot lid	Series 1
	138.832	1	Boot lid	Series 2
	138.834	1	Boot lid	Series 3, up to Aug 1985
8	138.915	1	Boot lid	Series 3, Aug 1985 om
	232.860	1	RH front door skin	
	232.861	1	LH front door skin	
9	232.862	1	RH rear door skin	SWB
	232.864	1	RH rear door skin	LWB
	232.863	1	LH rear door skin	SWB
	232.865	1	LH rear door skin	LWB
	232.903	1	RH wheel arch repair	
10	232.904	1	LH wheel arch repair	
	232.901	1	RH door skin	Coupe
11	232.902	1	LH door skin	Coupe
	138.731	1	RH repair panel	Coupe
12	138.732	1	LH repair panel	Coupe
	232.860	1	RH front door skin	Series 2
	232.866	1	RH front door skin	Series 3
	232.861	1	LH front door skin	Series 2
13	232.867	1	LH front door skin	Series 3
	232.864	1	RH rear door skin	Series 2, LWB
	232.868	1	RH rear door skin	Series 3

ILL N°	PART N°	QTY	DESCRIPTION	APPLICATION
15	232.865	1	LH rear door skin	Series 2, LWB
	232.900	1	LH rear door skin	Series 3
16	138.927	1	RH original Jaguar rear repair panel	Not coupe
17	138.928	1	LH original Jaguar rear repair panel	Not coupe
	232.091	1	RH rear lower panel	All Series
18	232.092	1	LH rear lower panel	All Series
	232.905	1	RH repair panel, flange	
19	232.906	1	LH repair panel, flange	
	138.758	1	Rear lower valance	Up to 1974
20	234.565	1	Rear lower valance	1974 on
	232.912	1	RH rear tail lamp mounting panel	Series 1
21	232.913	1	LH rear tail lamp mounting panel	Series 1
	232.909	1	RH rear tail lamp mounting panel	Series 2
22	232.910	1	LH rear tail lamp mounting panel	Series 2
	232.914	1	RH rear tail lamp mounting panel	Series 2 coupe
23	232.915	1	LH rear tail lamp mounting panel	Series 2 coupe
	232.916	1	RH rear tail lamp mounting panel	Series 3
24	232.917	1	LH rear tail lamp mounting panel	Series 3
	138.636	1	RH outer sill	SWB models, mostly Series 1
25	234.563	1	RH outer sill	Coupe
	138.638	1	RH outer sill	LWB models, Series 2 & 3 and some very late Series 1
26	138.637	1	LH outer sill	SWB models, mostly Series 1
	234.564	1	LH outer sill	Coupe
27	138.639	1	LH outer sill	LWB models, Series 2 & 3 and some very late Series 1
	233.024	1	RH front closing panel	
28	233.025	1	LH front closing panel	
	233.026	1	RH rear closing panel	
29	233.027	1	LH rear closing panel	
	233.218	1	Fixing kit L & R rear lower panels	Series 1 & 2
30	233.219	1	Fixing kit L & R rear lower panels	Series 3
	138.922	1	Spare wheel panel	All Series

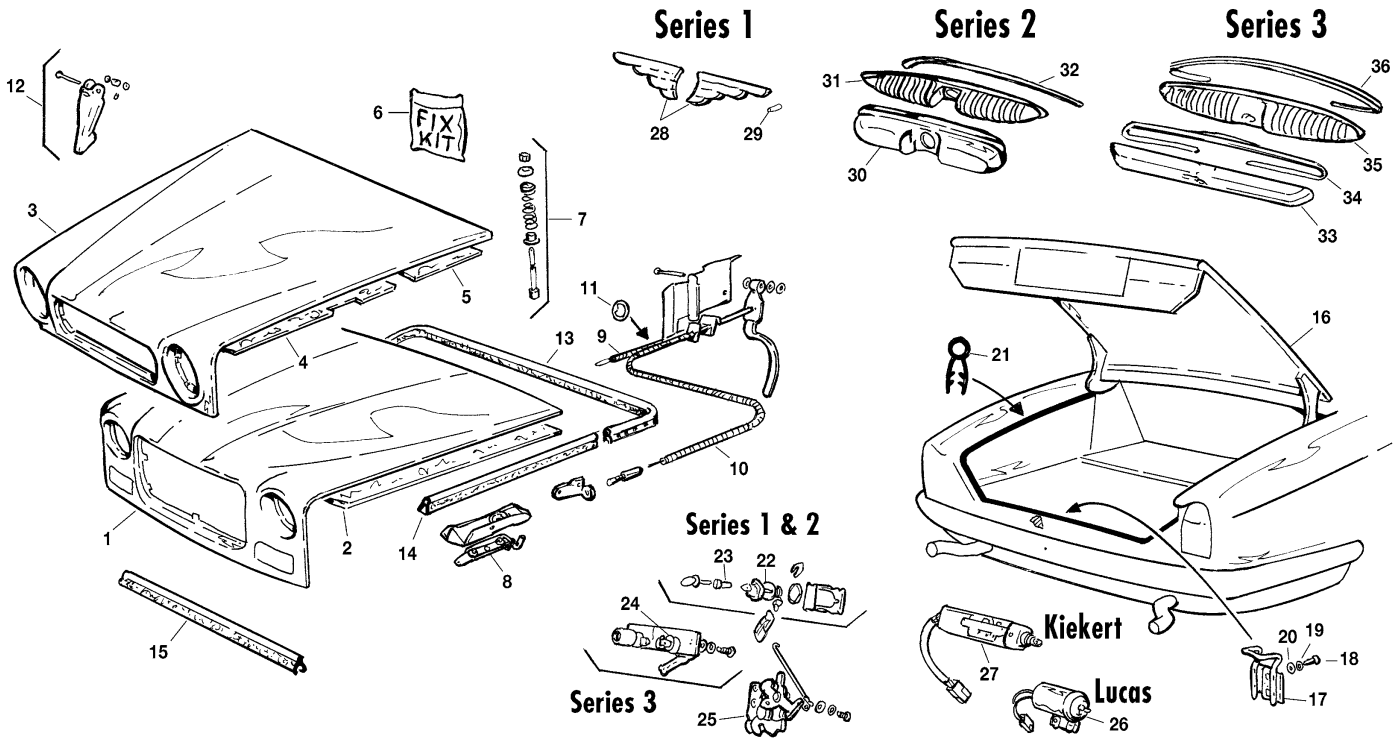


Internal body parts



ILL N°	PART N°	QTY	DESCRIPTION	APPLICATION
1	236.050	1	Cross member, radiator	
2	236.051	1	Closing panel, cross member	
3	233.221	1	RH closing panel, small	
	233.222	1	LH closing panel, small	
4	236.052	1	RH radiator support post	
	236.053	1	LH radiator support post	
5	236.054	1	RH front wing vertical bracket	
	236.055	1	LH front wing vertical bracket	
6	233.223	1	RH top closing panel	
	233.224	1	LH top closing panel	
7	236.056	1	RH shock absorber support bracket	
	236.057	1	LH shock absorber support bracket	
8	138.916	1	RH upper stone guard, front wing	
	138.917	1	LH upper stone guard, front wing	
9	236.058	1	RH lower stone guard, front wing	
	236.059	1	LH lower stone guard, front wing	
10	121.631	2.6	Draught excluder seal, use 1.3m for each side (upper and lower stone guard)	
11	233.220	2	Fixing kit stone guard panels	
12	234.646	1	RH inner sill, see external body parts page for explanation	SWB, Series 1 & 2, needs modification for coupe models!
	234.647	1	LH inner sill, see external body parts page for explanation	SWB, Series 1 & 2, needs modification for coupe models!
	234.650	1	RH inner sill, see external body parts page for explanation	LWB, Series 2
	234.651	1	LH inner sill, see external body parts page for explanation	LWB, Series 2
	234.648	1	RH inner sill	LWB, Series 3
	234.649	1	LH inner sill	LWB, Series 3
13	232.611	1	RH toeboard panel	
	232.612	1	LH toeboard panel	
14	138.712	1	RH floor panel	LWB models, needs modification for SWB models
	138.713	1	LH floor panel	LWB models, needs modification for SWB models

ILL N°	PART N°	QTY	DESCRIPTION	APPLICATION
15	139.525	2	Front jacking point	
16	138.918	1	RH rear side member	
	236.060	1	RH repair piece side member (to 'A')	
	138.919	1	LH rear side member	
	236.061	1	LH repair piece side member (to 'A')	
17	233.225	2	Radius arm mounting point	
18	233.226	2	Rear jacking point	Series 1
	233.227	1	RH jacking point	Series 2 & 3
	233.228	1	LH jacking point	Series 2 & 3
19	138.920	1	Cross member, differential mounting	
20	138.921	1	Boot floor rear shelf panel, also included with ILL. No. 21	
21		1	Boot floor assembly, for explanation only	
22	138.922	1	Spare wheel well panel, also included with ILL. No. 21	
23	233.229	1	Spare wheel mounting bracket	
24	236.062	1	RH boot floor side panel, also included with ILL. No. 21	
	236.063	1	LH boot floor side panel, also included with ILL. No. 21	
25	236.064	1	Rear cross member	Series 1,
	236.065	1	Rear cross member	Series 2 & 3
26	236.066	1	RH rear valance extension (fuel tank panel)	
	236.067	1	LH rear valance extension (fuel tank panel)	
27	236.068	1	RH outer wheel arch	
	236.069	1	LH outer wheel arch	
28	236.070	1	RH wheel arch repair section, to 'A'	
	236.071	1	LH wheel arch repair section, to 'A'	
29	186.165	1	"Fertan" rust killer, 1L.	
30	186.087	1	Waxoyl 2.5L starter kit	
	186.084	1	Waxoyl 2.5L refill can	
31	186.080	1	Waxoyl spray, 400ml	

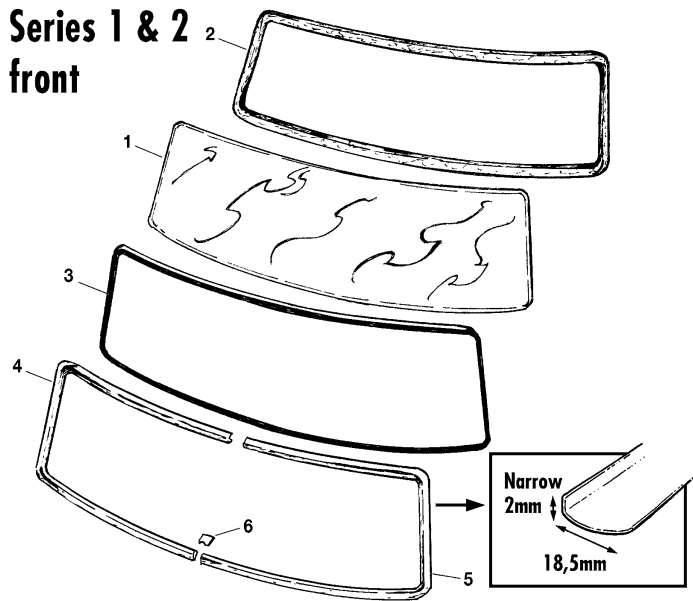


ILL N°	PART No	QTY	DESCRIPTION	APPLICATION
1	138.829	1	Bonnet	Series 1
2	159.944	1	Isolation pad	
3	138.830	1	Bonnet	Series 2 & 3
4	159.944	1	Isolation pad (one piece)	Series 2
	159.945	1	Isolation pad, front	Series 3
5	159.946	1	Isolation pad, rear	Series 3
6	233.241	1	Fixing kit, bonnet isolation pad	Series 3
7	233.143	2	Closing pin assembly	
8	233.242	1	RH Bonnet catch	
	233.243	1	LH Bonnet catch	
9	234.630	1	RH LHD bonnet cable, assembly	
10	234.659	1	LH LHD outer bonnet cable	
	234.660	1	LH LHD inner bonnet cable	
11	122.499	1	Grommet	
12	233.244	1	Safety catch	
13	122.586	1	Seal, rear	
14	221.022	2	Seal, side	Series 1 & 2
	221.021	2	Seal, side	Series 3
15	221.038	1	Seal, front	Only Series 2 & 3
16	138.831	1	Boot lid	Series 1
	138.832	1	Boot lid	Series 2
	138.834	1	Boot lid	Series 3, up to Aug 1985
	138.915	1	Boot lid	Series 3, Aug 1985 on

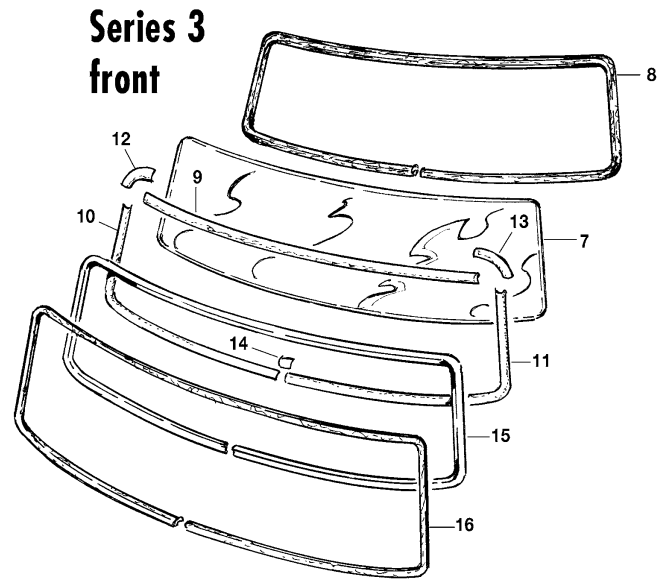
ILL N°	PART No	QTY	DESCRIPTION	APPLICATION
17	233.245	1	Stricker	
18	162.076	2	Screw	
19	164.007	2	Washer, shakeproof	
20	163.223	2	Washer, plain	
21	221.027	1	Seal, boot lid	
22	142.630	1	Boot lock assembly	Series 1 & 2
23	083.035	1	Barrel and key	
24	142.631	1	Boot lock assembly	Series 3
25	233.246	1	Latch, boot lid	
26	088.895	1	Solenoid 'Lucas', boot lock	1979-1985 Series 3 and some late Series 2
27	088.898	1	Solenoid, 'Kiekert', boot lock	1985-87 Series 3
28	142.249	1	Pair boot lock wings	Series 1
29	152.116	6	Bush, fixing	
30	142.601	1	Chrome plinth, number plate	Jaguar, Series 2
31	142.604	1	Chrome plinth, number plate	Daimler, Series 2
32	221.002	1	Seal	
33	284.083	1	Number plate lamp ass.	Jaguar, Series 3
34	121.768	1	Seal	
35	284.322	1	Number plate lamp ass.	Daimler, Series 3
36	284.464	1	Seal	



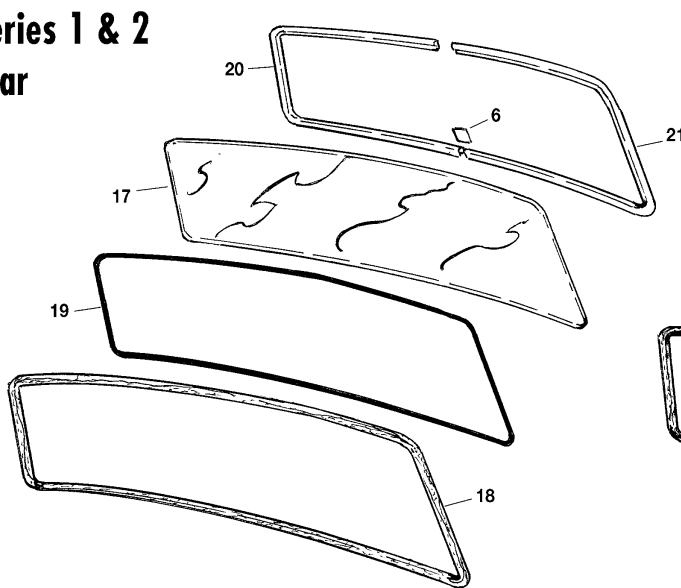
Series 1 & 2 front



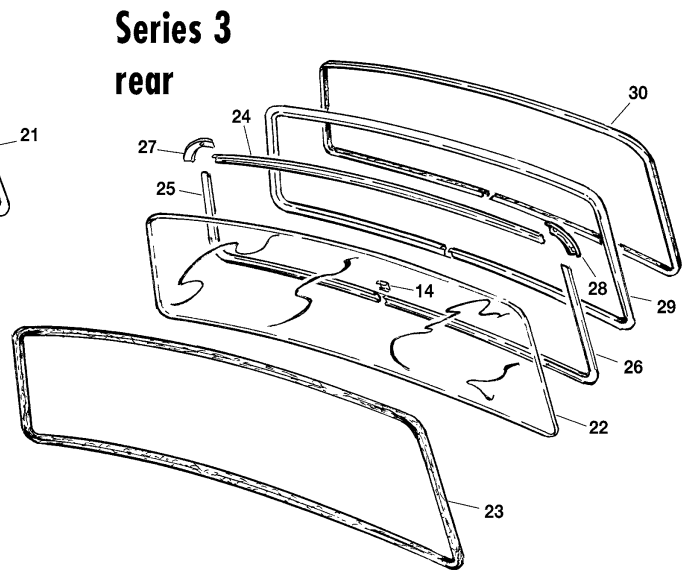
Series 3 front



Series 1 & 2 rear

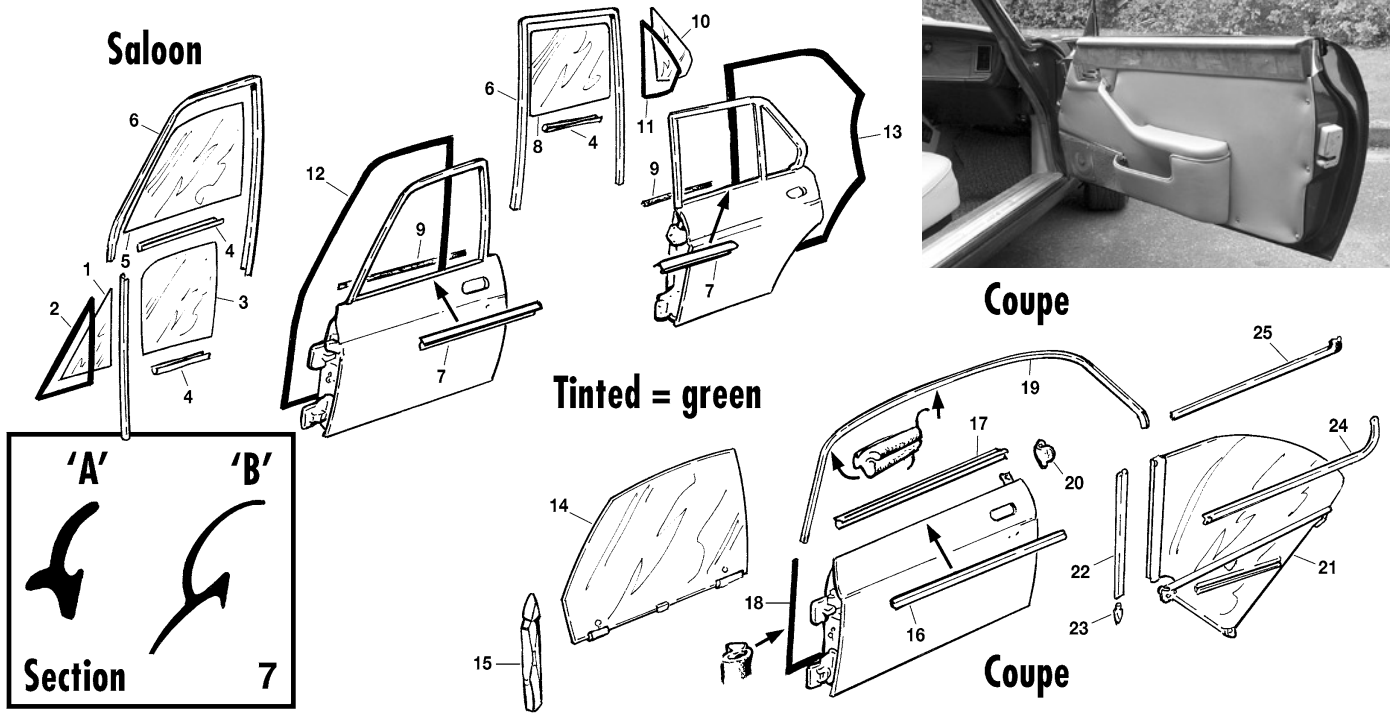


Series 3 rear



ILL No	PART No	QTY	DESCRIPTION	
FRONT				
1	120.186	1	Front screen, clear	Series 1 & 2
	120.187	1	Front screen, tinted	Series 1 & 2
2	121.554	1	Seal, front	Series 1 up to 1970
	121.556	1	Seal, front	Series 1 1970 on and Series 2
3	121.633	4	1 m filler rubber	Series 1 & 2
4	140.707	1	RH Finisher, wide	Series 1 up to 1970
	140.661	1	RH Finisher, narrow	Series 1 1970 on, & also Series 2
5	140.708	1	LH Finisher, wide	Series 1 up to 1970
	140.662	1	LH Finisher, narrow	Series 1 1970 on, & also Series 2
6	142.428	2	Joint piece, wide	Up to 1970
	137.963	2	Joint piece, narrow	Series 1 1970 on & also Series 2
7	120.240	1	Front screen, clear	Series 3
	120.204	1	Front screen, tinted	Series 3
8	121.626	4	1m inner seal	
9	234.566	1	Top Finisher	
10	140.692	1	RH Finisher	
11	140.693	1	LH Finisher	
12	142.574	1	RH Corner finisher	
13	142.575	1	LH Corner finisher	
14	142.632	1	Joint piece	
15	121.770	1	Seal, finisher to screen	
16	121.771	1	Seal, finisher to body	

ILL No	PART No	QTY	DESCRIPTION	
REAR				
17	120.241	1	Rear screen, heated, clear	Series 1 & 2
	120.242	1	Rear screen, heated, tinted	Series 1 & 2
18	121.555	1	Seal, rear	Series 1 up to 1970
	121.557	1	Seal, rear	Series 1 1970 on and Series 2
19	121.633	4	1m filler rubber	
20	140.620	1	RH Finisher, wide	Series 1 up to 1970
	140.709	1	RH Finisher, narrow	Series 1 1970 on, & also Series 2
21	140.621	1	LH Finisher, wide	Series 1 up to 1970
	140.710	1	LH Finisher, narrow	Series 1 1970 on and also Series 2
22	120.205	1	Rear screen, heated, clear	Series 3
	120.206	1	Rear screen, heated, tinted	Series 3
23	121.625	4	1m inner seal	
24	234.567	1	Top finisher	
25	140.694	1	RH Finisher	
26	140.695	1	LH Finisher	
27	142.577	1	RH Corner finisher	
28	142.578	1	LH Corner finisher	
29	121.770	1	Seal, finisher to screen	
30	121.771	1	Seal, finisher to body	

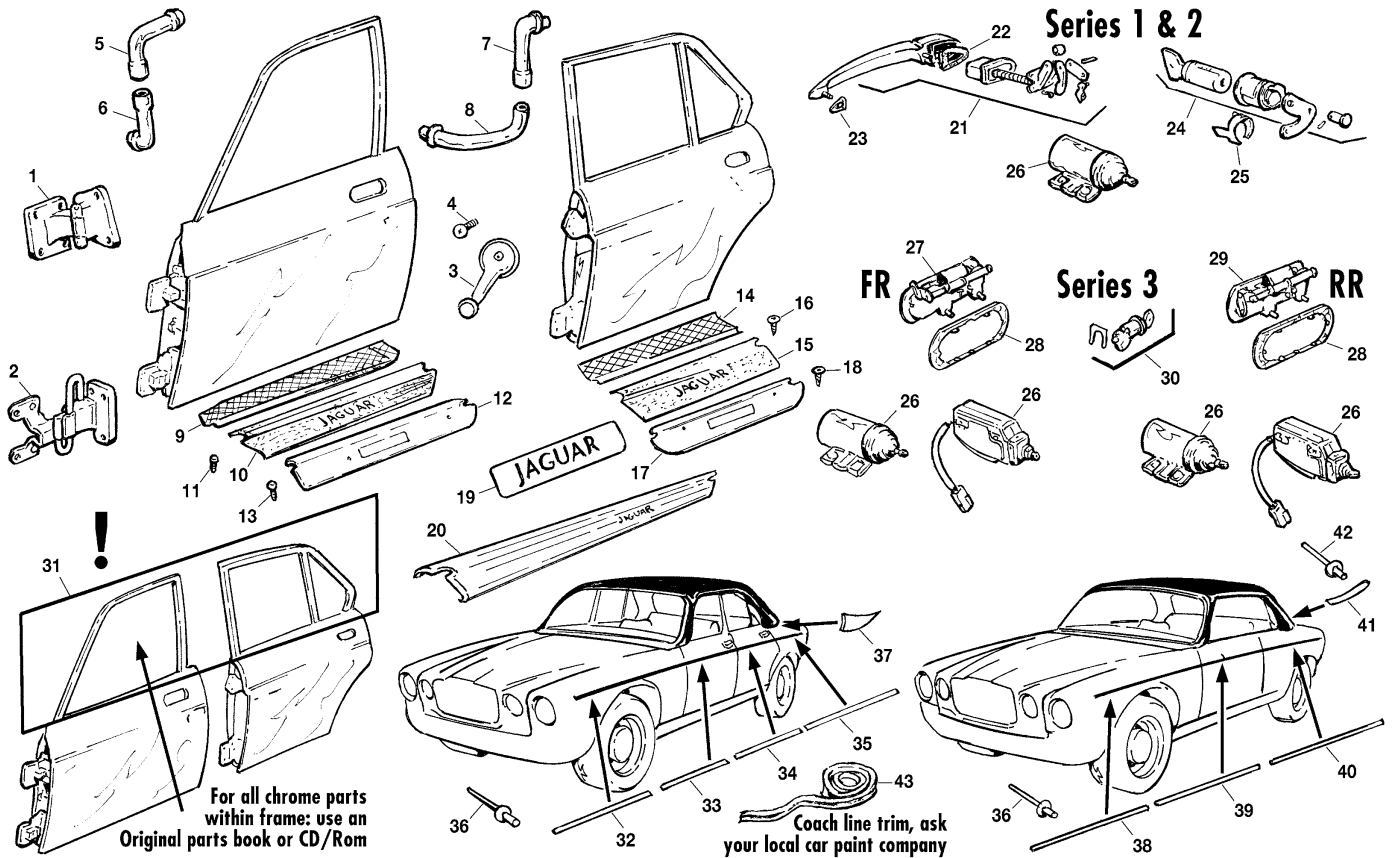


ILL N°	PART N°	QTY	DESCRIPTION	APPLICATION
1	120.243	1	RH front quarter light, clear	Series 1
	120.245	1	RH front quarter light, tinted	Series 1
	120.247	1	RH front quarter light, clear	Series 2
	120.249	1	RH front quarter light, tinted	Series 2
	120.244	1	LH front quarter light, clear	Series 1
	120.246	1	LH front quarter light, tinted	Series 1
	120.248	1	LH front quarter light, clear	Series 2
	120.250	1	LH front quarter light, tinted	Series 2
2	121.565	1	Front quarter light seal, pair	Series 1
3	120.251	1	RH front door glass, clear	Series 1 & 2
	120.253	1	RH front door glass, tinted	Series 1 & 2
	120.252	1	LH front door glass, clear	Series 1 & 2
	120.254	1	LH front door glass, tinted	Series 1 & 2
4	121.061	2	Seal, window glass to channel window regulator, 50cm	
5	120.259	1	RH front door glass, clear	Series 3
	120.261	1	RH front door glass, tinted	Series 3
	120.260	1	LH front door glass, clear	Series 3
	120.262	1	LH front door glass, tinted	Series 3
6	121.913	4	Window channel felt	Series 1 & 2
	221.040	2	Window channel, front door	Series 3
	221.041	2	Window channel, rear door	Series 3
7	121.622	4	1m Outer weather seal, see 'A',	Series 1 and early Series 2
	121.634	4	1m Outer weather seal, see 'B',	Late Series 2 and Series 3
8	120.263	1	RH rear door glass, clear	Series 1 & 2 SWB
	120.265	1	RH rear door glass, tinted	Series 1 & 2 SWB
	120.267	1	RH rear door glass, clear	Series 1 & 2 LWB
	120.269	1	RH rear door glass, tinted	Series 1 & 2 LWB
	120.275	1	RH rear door glass, clear	Series 3
	120.277	1	RH rear door glass, tinted	Series 3
	120.264	1	LH rear door glass, clear	Series 1 & 2 SWB
	120.266	1	LH rear door glass, tinted	Series 1 & 2 SWB
	120.268	1	LH rear door glass, clear	Series 1 & 2 LWB
	120.270	1	LH rear door glass, tinted	Series 1 & 2 LWB
	120.276	1	LH rear door glass, clear	Series 3
	120.278	1	LH rear door glass, tinted	Series 3
9	134.925	4	Inner weather seal	Series 1
	221.028	4	Inner weather seal	Series 2
	234.303	4	Inner weather seal	Series 3

ILL N°	PART N°	QTY	DESCRIPTION	APPLICATION
10	120.279	1	RH rear quarter light, clear	Series 1 & 2
	120.281	1	RH rear quarter light, tinted	Series 1 & 2
120.283	1	RH rear quarter light, clear	Series 3	
120.285	1	RH rear quarter light, tinted	Series 3	
120.280	1	LH rear quarter light, clear	Series 1 & 2	
120.282	1	LH rear quarter light, tinted	Series 1 & 2	
120.284	1	LH rear quarter light, clear	Series 3	
120.286	1	LH rear quarter light, tinted	Series 3	
11	121.811	1	RH quarter light seal, rear	Series 1 & 2
	121.766	1	RH quarter light seal, rear	Series 3
	121.812	1	LH quarter light seal, rear	Series 1 & 2
12	121.767	1	LH quarter light seal, rear	Series 3
	121.574	1	RH front door seal	
13	121.575	1	LH front door seal	
	121.764	1	RH rear door seal, SWB	
14	121.576	1	RH rear door seal, LWB	
	121.765	1	LH rear door seal, SWB	
	121.577	1	LH rear door seal, LWB	
15	120.255	1	RH door glass, COUPE, clear	
	120.257	1	RH door glass, COUPE, tinted	
	120.256	1	LH door glass, COUPE, clear	
	120.258	1	LH door glass, COUPE, tinted	
16	234.661	1	RH seal, door glass, COUPE	
	234.662	1	LH seal, door glass, COUPE	
17	121.634	2	1m Outer weather seal	
	234.546	2	Inner weather seal, COUPE	
18	121.572	1	RH lower door seal, COUPE	
	121.573	1	LH lower door seal, COUPE	
19	121.588	4	1m Upper seal, use 2m for each side	
	122.580	1	RH end cap	
20	122.581	1	LH end cap	
	120.271	1	RH rear glass, clear, COUPE	
21	120.273	1	RH rear glass, tinted, COUPE	
	120.272	1	LH rear glass, clear, COUPE	
22	120.274	1	LH rear glass, tinted, COUPE	
	121.975	2	Seal, vertical, rear glass	
23	122.582	1	Pair seal ends	
	121.971	2	Outer weather seal, rear glass	
24	121.634	2	1M outer weather seal, alternative	
	121.973	1	RH inner weather seal, rear glass	
25	121.974	1	LH inner weather seal, rear glass	

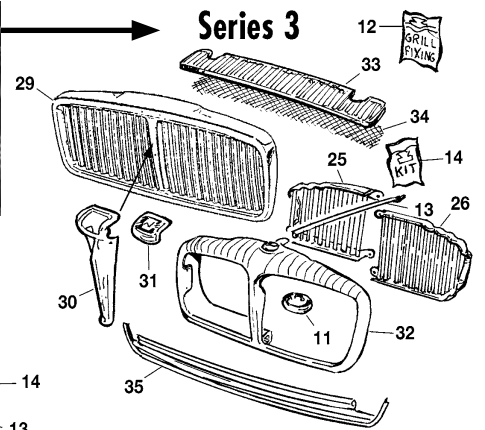
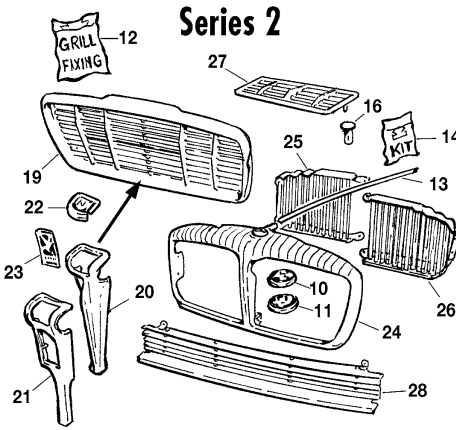
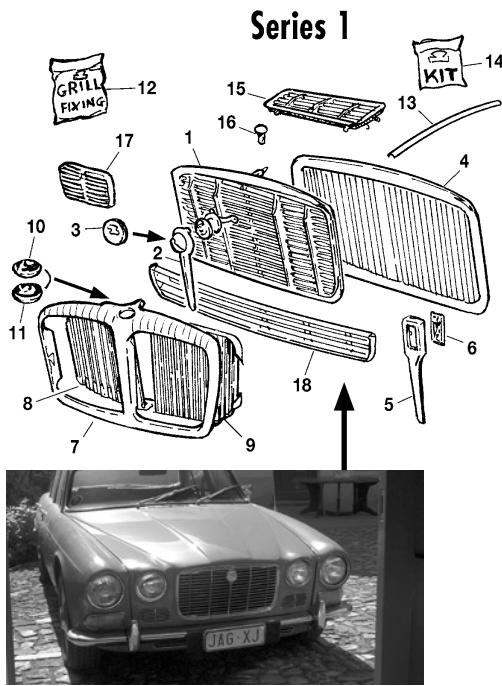


Door handles, locks, tread plates & body moulding

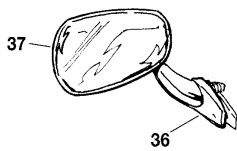


ILL N°	PART N°	QTY	DESCRIPTION	APPLICATION
1	233.255	1	RH front top hinge	
	233.257	1	LH front top hinge	
2	233.256	1	RH front bottom hinge	
	233.258	1	LH front bottom hinge	
3	142.659	1	Handle, window regulator	
4	166.	1	Screw	
5	122.576	2	Sheath, wiring front door, upper	Series 1 & 2
	122.577	2	Sheath, wiring front door, upper	Series 3
6	122.577	2	Sheath, wiring front door, lower	Series 1 & 2
	122.578	1	Sheath, wiring front door, RH lower	Series 3
	122.579	1	Sheath, wiring front door, LH lower	Series 1 & 2
7	122.577	2	Sheath, wiring rear door, upper	All Series
8	122.578	1	Sheath, wiring rear door, RH lower	Series 3
	122.579	1	Sheath, wiring rear door, LH lower	Series 3
9	234.100	1	RH tread plate, front	Series 1
	234.101	1	LH tread plate, front	Series 1
10	234.104	1	RH tread plate, front	S2 & 3, up to Aug 1985
	234.105	1	LH tread plate, front	S2 & 3, up to Aug 1985
11	166.050	4	Screw	
12	234.119	1	RH tread plate, front	Series 3 Aug 1985 on
	234.120	1	LH tread plate, front	Series 3 Aug 1985 on
13	166.053	8	Screw	
14	234.102	1	RH tread plate, rear	Series 1
	234.103	1	LH tread plate, rear	Series 1
15	234.107	1	RH tread plate, rear	Series 2 SWB
	234.109	1	RH tread plate, rear	S2 LWB & 3 up to Aug 1985
	234.108	1	LH tread plate, rear	Series 2 SWB
	234.110	1	LH tread plate, rear	S2 LWB & 3 up to Aug 1985
16	166.050	2	Screw	
17	234.122	1	RH tread plate, rear	Series 3 from Aug 1985
	234.123	1	LH tread plate, rear	Series 3 from Aug 1985
18	166.053	8	Screw	
19	085.452	4	Label 'Jaguar'	
20	234.113	1	RH tread plate, Series 2 Coupe only	
	234.114	1	LH tread plate, Series 2 Coupe only	
21	141.889	2	RH door handle ass.	S1 & 2, Coupe use 1
	141.890	2	LH door handle ass.	S1 & 2, Coupe use 1
	141.888	2	Pair door handles ass.	S1 & 2, Coupe use 1
22	116.271	4	Gasket, large	Coupe use 2
23	116.270	4	Gasket, small	Coupe use 2
24	141.891	1	Pair door locks, incl. Ill. No. 25	

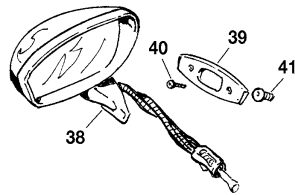
ILL N°	PART N°	QTY	DESCRIPTION	APPLICATION
25	172.206	2	Clip, door lock	
26	088.687	2	Solenoid, door lock, RH front and RH rear	1979-85
	088.895	2	Solenoid, door lock, LH front and LH rear	1979-85
	233.174	1	LH front door handle	
28	122.587	4	Seal, door handle	
29	233.175	1	RH rear door handle	
	233.176	1	LH rear door handle	
30	233.183	1	RH door lock	
	233.184	1	LH door lock	
31			For all chrome parts within frame: use an Original parts book or CD/Rom	
32	234.168	1	RH side moulding, front	Series 2 & 3
	234.167	1	LH side moulding, front	Series 2 & 3
33	234.127	1	RH side moulding, front door	Series 2
	234.128	1	LH side moulding, front door	Series 2
	234.130	1	RH side moulding, front door	Series 3
	234.129	1	LH side moulding, front door	Series 3
34	234.129	1	RH side moulding, rear door	Series 2 & 3 LWB
	234.130	1	LH side moulding, rear door	Series 2 & 3 LWB
35	234.167	1	RH side moulding, rear	Series 2 & 3
	234.168	1	LH side moulding, rear	Series 2 & 3
36	152.272	A/R	Rivet, moulding	
	166.057	8/6	Screw, special, Coupe use 6	
	164.016	8/6	Washer, shakeproof	
	161.054	8/6	Nut	
37	142.287	1	RH finisher, rear quarter panel	Series 2
	142.288	1	LH finisher, rear quarter panel	Series 2
	162.335	4	Screw	
	172.195	2	Clip	
38	234.167	1	RH side moulding, front	Coupe
	234.168	1	LH side moulding, front	Coupe
39	234.169	1	LH side moulding, door	Coupe
	234.170	1	RH side moulding, door	Coupe
40	234.171	1	RH moulding, rear	Coupe
	234.172	1	LH moulding, rear	Coupe
41	234.135	1	RH finisher, rear quarter panel	Coupe
	234.136	1	LH finisher, rear quarter panel	Coupe
42	152.273	8	Rivet	
43			Coach line trim, ask your local car paint company	



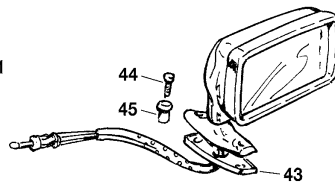
**Series 1 & 2
non remote**



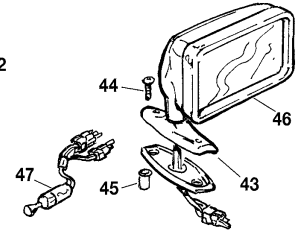
**Series 1 & 2
remote**



**Series 2 & 3
remote**



**Series 2
electric remote**



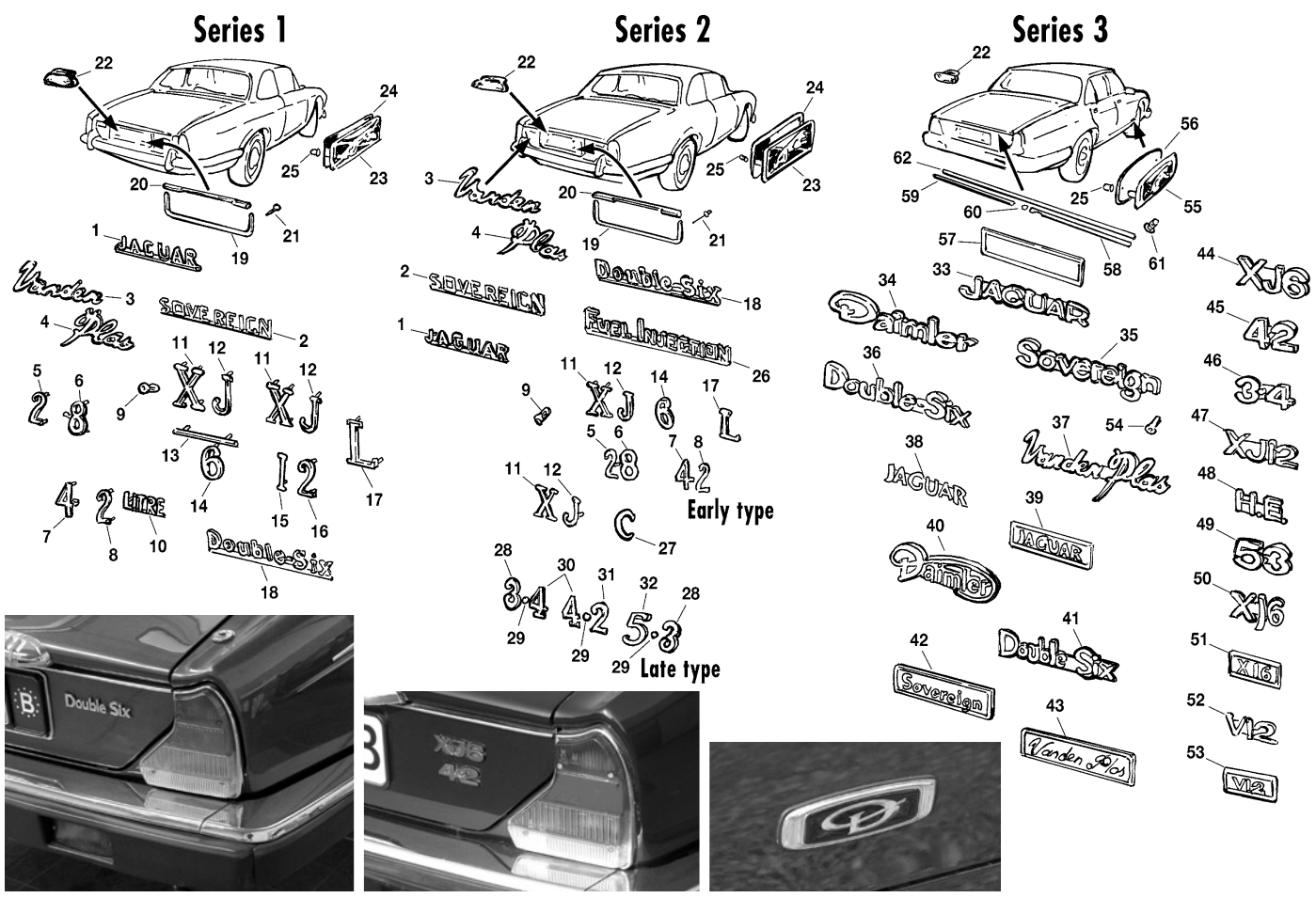
ILL N°	PART N°	QTY	DESCRIPTION	APPLICATION
1	140.711	1	Grill	XJ Series 1
2	140.712	1	Centre piece	XJ6 Series 1
3	085.459	1	Badge, 'Jaguar'	
4	140.713	1	Grill	XJ12 Series 1
5	142.633	1	Centre piece	XJ12 Series 1
6	142.634	1	Badge	V12
7	140.714	1	Grill surround, Sovereign & double-six	Series 1
8	140.715	1	RH grill insert	
9	140.716	1	LH grill insert	
10	142.566	1	Badge	V12
11	142.563	1	Badge 'D', Daimler	
12	233.263	1	Grill fixing kit	All Series
13	234.663	1	Moulding, bonnet	
14	233.264	1	Fixing kit, bonnet moulding	
15	142.635	1	Air intake, in front of windscreen	Series 1
16	152.284	2	Fixing bush	
17	142.397	2	Air intake, fits in bonnet	
18	140.717	1	Grill, lower	Series 1
19	140.639	1	Grill	XJ Series 2
20	142.583	1	Centre piece	XJ6 Series 2
21	142.636	1	Centre piece	XJ12 Series 2
22	142.525	1	Badge, Jaguar, for Ill. No 20 & 21	Series 2
23	142.565	1	Badge	V12
24	140.718	1	Grill surround, Sovereign & double-six	Series 2
25	140.705	1	RH grill insert	
26	140.706	1	LH grill insert	
27	142.635	1	Air intake, in front of windscreen	Series 2
28	142.637	1	Grill, lower	XJ Series 2
	142.638	1	Grill, lower	XJ Series 2 with twin fans fitted
29	140.640	1	Grill	XJ Series 3
30	140.641	1	Centre piece	Series 3

ILL N°	PART N°	QTY	DESCRIPTION	APPLICATION
31	142.525	1	Badge, Jaguar	
32	140.718	1	Grill surround	Series 3, up to VIN 346687
	140.704	1	Grill surround	Series 3, from VIN 346688
33	139.643	1	Air intake, in front of windscreen	Series 3
34	139.644	1	Mesh, air intake	
35	233.265	1	Grill, lower	XJ Series 3
36	141.122	1	RH mirror arm	
	141.123	1	LH mirror arm	
37	141.125	2	Mirror	
38	142.639	1	RH mirror, bullet type, remote control	Series 1 and 2 1 st type
	142.640	1	LH mirror, bullet type, remote control	Series 1 and 2 1 st type
	142.641	1	RH mirror, bullet type, remote control	Series 2 Coupe 1 st type
	142.642	1	LH mirror, bullet type, remote control	Series 2 Coupe 1 st type
39	233.022	2	Gasket	
40	162.110	4	Screw	
41	161.463	4	Special nut	
42	142.584	1	RH mirror, square type, remote control	Series 2 2 nd type, Series 3 1 st type
	142.585	1	LH mirror, square type, remote control	Series 2 2 nd type, Series 3 1 st type
43	233.262	2	Gasket	
44	166.477	4	Screw	
45	161.794	4	Special nut	
46	142.586	1	RH mirror, electric, Series 3 up to 1985	
	142.572	1	RH mirror, electric, Series 3 1985 on	
	142.587	1	LH mirror, electric, Series 3 up to 1985	
	142.573	1	LH mirror, electric, Series 3 1985 on	
47	088.940	1	Switch, electric mirror, up to VIN366144	
	088.941	1	Switch, electric mirror, VIN366145 on	



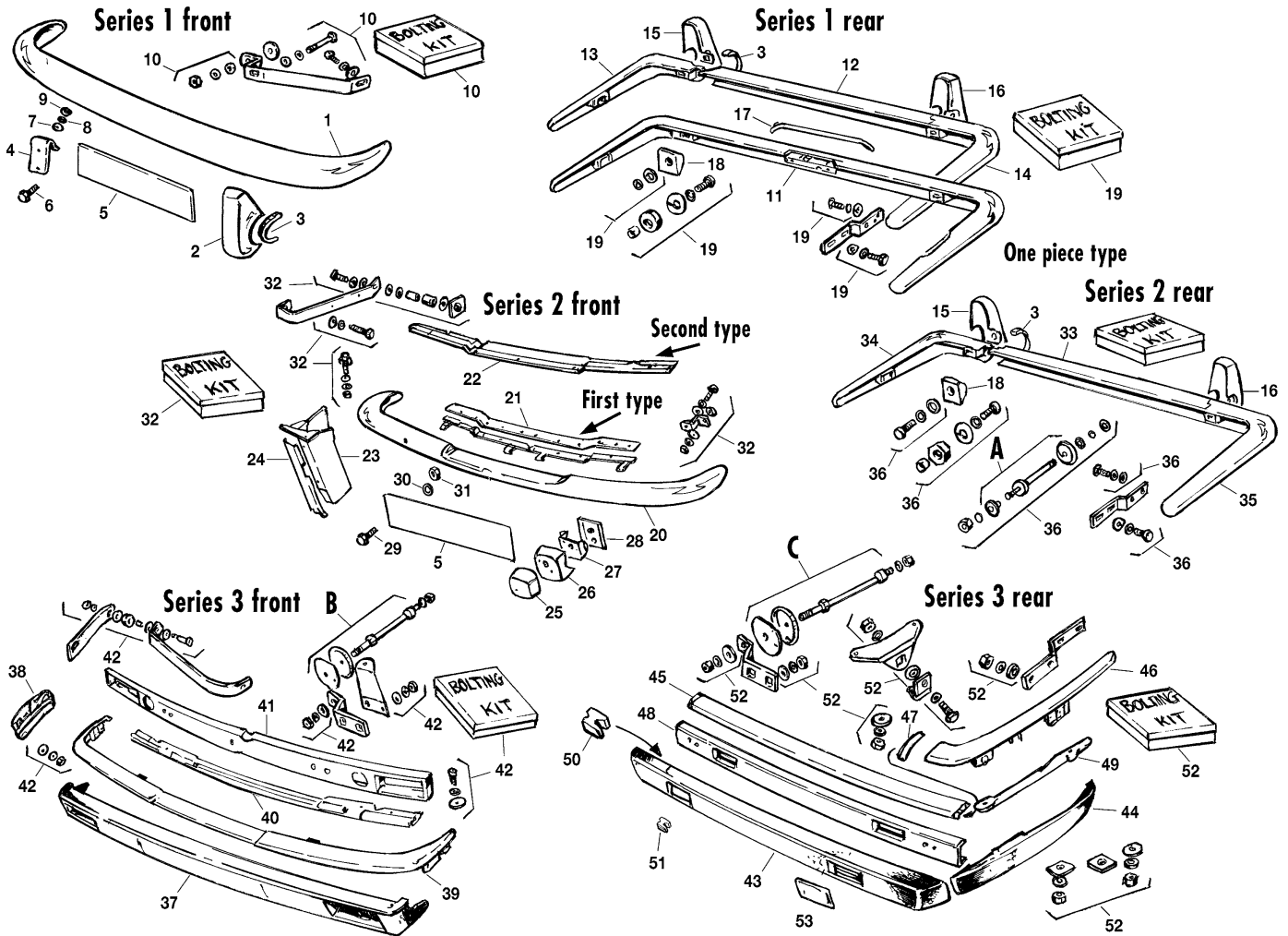
Jaguar XJ6 & XJ12 • Daimler Sovereign & Double Six

Badges and boot lid finishers



ILL N°	PART N°	QTY	DESCRIPTION	APPLICATION
1	142.338	1	Badge 'Jaguar'	
2	142.550	1	Badge 'Sovereign'	
3	142.643	1	Badge 'Vanden'	
4	142.644	1	Badge 'Plas'	
5	142.538	1	Badge '2'	
6	142.545	1	Badge '8'	
7	142.541	1	Badge '4'	
8	142.538	1	Badge '2'	
9	173.249	A/R	Bush kit, contains 20 pieces	
10	142.487	1	Badge 'Litre'	
11	142.532	1	Badge 'X'	
12	142.533	1	Badge 'J'	
13	142.645	1	Badge '.'	
14	142.544	1	Badge '6'	
15	142.537	1	Badge '1'	
16	142.539	1	Badge '2'	
17	142.535	1	Badge 'L'	
18	142.593	1	Badge 'Double-six'	
19	142.653	1	Beading, lower	
20	234.018	1	Beading, upper	
21	152.273	8	Rivet, beading	
22	122.459	4	Buffer, number plate	
23	085.456	1	RH front wing badge 'Jaguar'	
	085.457	1	LH front wing badge 'Jaguar'	
24	122.585	2	Pad, badge	
25	152.184	4	Bush	
26	142.567	1	Badge 'Injection'	
27	142.534	1	Badge 'C'	
28	142.540	1	Badge '3'	Late Series 2
29	142.546	1	Badge '.' (dot)	Late Series 2
30	142.542	1	Badge '4'	Late Series 2
31	142.539	1	Badge '2'	Late Series 2
32	142.543	1	Badge '5'	Late Series 2
33	142.499	1	Badge 'Jaguar'	
34	142.500	1	Badge 'Daimler'	

ILL N°	PART N°	QTY	DESCRIPTION	APPLICATION
35	142.554	1	Badge 'Sovereign'	
36	142.646	1	Badge 'Double-six'	
37	142.552	1	Badge 'Vanden Plas'	
38	142.527	1	Badge 'Jaguar'	Late Series 3
39	142.562	1	Badge 'Jaguar'	
40	142.558	1	Badge 'Daimler'	
41	142.553	1	Badge 'Double six'	
42	142.560	1	Badge 'Sovereign'	
43	142.559	1	Badge 'Vanden Plas'	
44	142.505	1	Badge 'XJ6'	
45	142.503	1	Badge '4.2'	
46	142.504	1	Badge '3.4'	
47	142.647	1	Badge 'XJ12'	
48	142.648	1	Badge 'HE'	
49	142.556	1	Badge '5.3'	
50	142.649	1	Badge 'XJ6'	Late Series 3
51	142.561	1	Badge 'XJ6'	Late Series 3
52	142.555	1	Badge 'V12'	Late Series 3
53	142.650	1	Badge 'V12'	Late Series 3
54	173.248	A/R	Bush	
	173.250	A/R	Bush kit, contains 20 pieces	
55	142.528	1	RH front wing badge	Up to VIN343677
	142.651	1	RH front wing badge	VIN343678 on
	142.529	1	LH front wing badge	Up to VIN343677
	142.652	1	LH front wing badge	VIN343678 on
	142.430	2	Badge Daimler	
56	122.585	2	Pad, badge	Up to VIN343677
	122.608	2	Pad, badge	VIN343678 on
57	236.080	1	Number plate	
58	234.602	1	RH moulding	
59	234.603	1	LH moulding	
60	233.100	1	Joint piece	
61	152.284	8	Bush	
62	221.005	1	Seal, boot moulding	

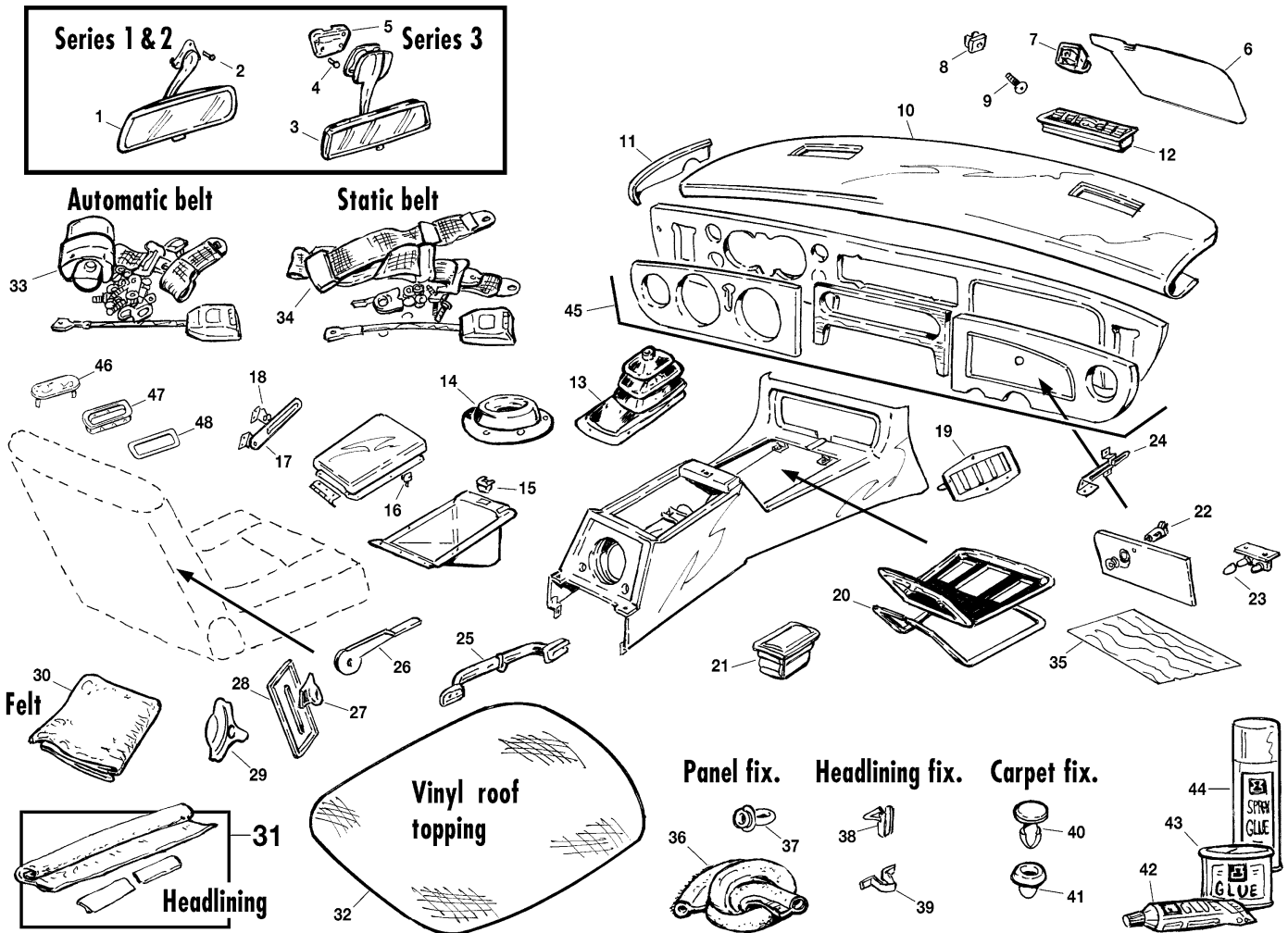


ILL N°	PART N°	QTY	DESCRIPTION	APPLICATION
1	140.719	1	Bumper, front	Series 1
2	140.678	1	RH over rider	
	140.679	1	LH over rider	
3	121.635	1	1 meter seal, over rider	
4	133.341	2	Bracket, need some modification	
5	132.046	1	Number plate	
	132.927	1	Number plate, made from stainless steel	
6	162.045	4	Screw, bracket to bumper or number plate to bracket, also in kit ill. No. 10	
7	163.001	4	Washer, plain, also in kit ill. No. 10	
8	164.002	4	Washer, spring, also in kit ill. No. 10	
9	161.002	4	Nut, also in kit ill. No. 10	
10	233.269	1	Front bumper fixing kit, incl. most of bolts, nut etc.	
11	140.720	1	Bumper, rear, one piece type	Series 1
12	140.685	1	Bumper, rear, centre piece with holes for no. plate lamp, 3 piece type	
	140.686	1	Bumper, rear, centre piece, plain, 3 piece type	
13	140.687	1	RH rear corner	
14	140.688	1	LH rear corner	
15	140.572	1	RH over rider	
16	140.573	1	LH over rider	
17	221.033	1	Seal, number plate lamp	
18	233.248	2	Spacer, rear bumper, 3 piece type	
	233.249	2	Spacer, rear bumper, one piece type	
19	233.270	1	Fixing kit rear bumper incl. most of bolts, nuts etc.	
20	140.623	1	Bumper, front	Series 2
21	140.721	1	Plinth, front bumper, first type	
22	140.722	1	Plinth, front bumper, second type	
23	140.624	1	RH under rider	
	140.625	1	LH under rider	
24	142.451	1	RH finisher, under rider	
	142.452	1	LH finisher, under rider	
25	139.704	1	RH buffer over rider	
	139.705	1	LH buffer over rider	
26	142.453	1	RH plinth	
	142.454	1	LH plinth	

ILL N°	PART N°	QTY	DESCRIPTION	APPLICATION
27	139.706	1	RH bracket	
	139.707	1	LH bracket	
28	122.555	2	Pad	
29	162.125	2	Screw	
30	164.012	2	Washer, spring	
31	161.019	2	Nut	
32	233.271	1	Fixing kit front bumper, incl. most of bolts, nuts etc.	
33	140.689	1	Bumper, rear, centre piece	
34	140.690	1	RH rear corner	Very early models, use ill. no 13
35	140.691	1	LH rear corner	Very early models, use ill. no 14
36	233.272	1	Fixing kit rear bumper, incl. most of bolts, nuts etc.	'A' not included
37	234.664	1	Bumper cover, front, black	
38	233.275	1	RH corner piece	
	233.276	1	LH corner piece	
39	140.703	1	Top piece, chrome	
40	234.665	1	Plinth	
41	234.666	1	Armature	
42	233.273	1	Fixing kit front bumper, incl. most of bolts, nuts etc.	'B' not included
43	234.297	1	Bumper cover, rear, black	
44	233.277	1	RH rear end capping	
	233.278	1	LH rear end capping	
45	234.347	1	Top piece, chrome	
46	140.723	1	RH top piece, chrome	
	140.724	1	LH top piece, chrome	
47	233.279	2	Joining piece	
48	234.298	1	Armature	
49	233.280	1	RH support plate	
	233.281	1	LH support plate	
50	173.243	7	Clip, upper, also in kit ill. No 52	
51	172.593	9	Clip, lower, also in kit ill. No 52	
52	233.274	1	Bolting kit rear bumper, incl. most of bolts, nuts etc.	'C' not included
53	233.282	2	Blanking plate, when fog lamps are not fitted	



Jaguar XJ6 & XJ12 • Daimler Sovereign & Double Six
 Interior mirrors, dashboard, sun visors, head lining, safety belts
 & small components

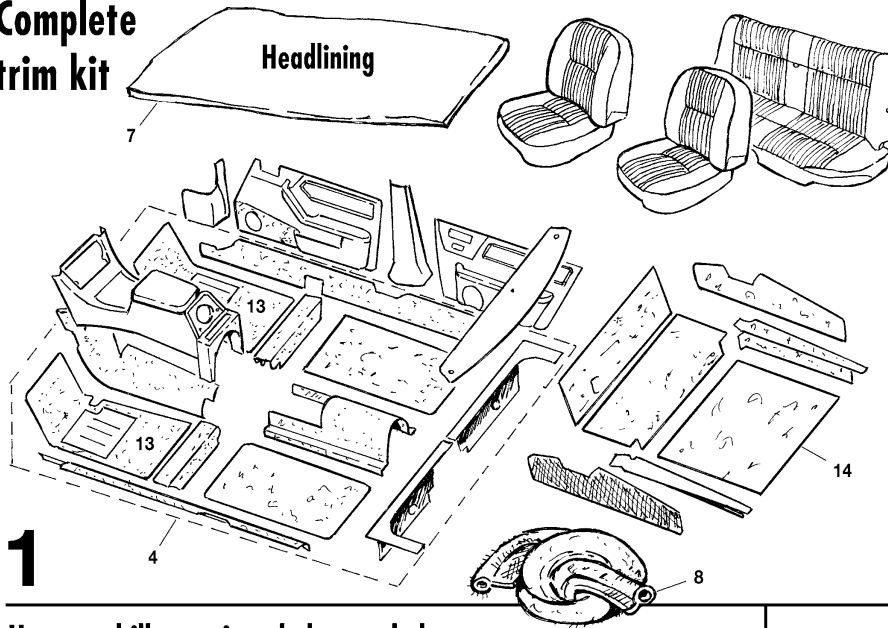


ILL N°	PART N°	QTY	DESCRIPTION	APPLICATION
1	142.327	1	Interior mirror	Series 1 & 2
2	166.479	2	Screw	
3	233.018	1	Interior mirror, use with 233.019	Series 3
4	165.525	2	Screw	
5	233.020	1	Filler piece	
	233.019	1	Plate mirror fixing	
6	159.960	1	Pair sun visors, black	Series 3
7	152.315	2	Clip, sun visor	
8	161.917	4	Spire nut	
9	166.480	4	Screw	
10	159.964	1	Dash top assembly, black, original type	
11	221.039	1	Pair rubber dash pad ends	
12	063.658	2	Air vent, dash top	
13	121.779	1	Boot, gear shift, 4 speed	Series 1 & 2
14	121.991	1	Boot, gear shift, 5 speed	Series 3
15	152.071	1	Catch	
16	152.142	1	Striker	
17	233.286	1	Link, check, armrest	
18	233.172	1	Bracket, check	
19	063.674	1	RH air vent, black, console	
	063.675	1	LH air vent, black, console	
20	139.914	1	Moulding, console	S2 up to VIN 346687
	233.287	1	Moulding, console	S2 from VIN 346688 & S3
21	142.656	3	Ash tray	
22	141.883	1	Glove box lock	Series 1
	141.286	1	Glove box lock	Series 2
	142.657	1	Glove box lock	Series 3
23	122.609	2	Buffer, glove box lid	
24	139.037	1	Link, check, glove box lid	Series 2 & 3
25	233.288	2	Grab handle	Most common model
26	142.658	2	Seat adjusting handle	
27	233.289	2	Knob, tilt mechanism	Coupe models only
28	233.290	2	Escutcheon	
29	233.291	2	Knob, lumbar adjustment	Series 3 models

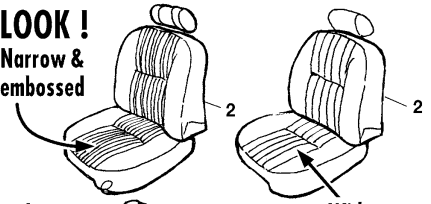
ILL N°	PART N°	QTY	DESCRIPTION	APPLICATION
30	151.097	A/R	1m2 Thick insulation felt, general purpose	
31	251.313	1	Headlining material, beige	
	251.314	1	Headlining material, grey	
	251.321	1	Headlining pad, glue this pad first into the body	
32	251.324	1	Vinyl roof topping material	
33	185.382	2	3 point safety belt, automatic	
34	185.021	2	3 point safety belt, static	
35	150.836	A/R	Bitumen sound deadening pad	44 x 15cm
36	251.315	1	Furflex kit, black	
	251.316	1	Furflex kit, beige	
	251.317	1	Furflex kit, grey	
37	152.069	1	Door panel fixing clips, set of 50	
	152.068	A/R	Door panel fixing clip	
38	172.138	10	Clip, front and rear piece headlining	
39	152.280	10	Clip, A, B and C post fixing	
	152.286	10	Carpet fastener, carpet side, male	
	152.287	10	Carpet fastener, body side, female	
42	187.011	A/R	Glue, tube	
43	187.009	A/R	Glue, for carpet & insulation	
44	187.010	A/R	Glue, spray	
Info dashboard / door capping. Customers own woodwork :				
45	159.951		Re-lacquer dash	
	159.953		Re-veneer & lacquer dash	
	159.952		Re-lacquer door cappings (set)	
	159.954		Re-veneer & lacquer door trims	
	159.955		Re-veneer radio panel*	
	159.956		Re-veneer radio shift panel*	
*these panels are veneer on steel, and nearly always have to be re-veneered as the veneer becomes loose and lifts				
46	133.258	2	Black plug, when no head rest are fitted	
47	133.256	2	Eyelet rim	
48	133.257	2	Oval washer	



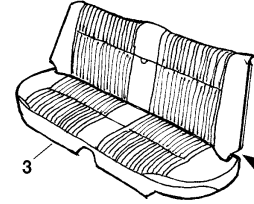
Complete trim kit



LOOK!
Narrow & embossed

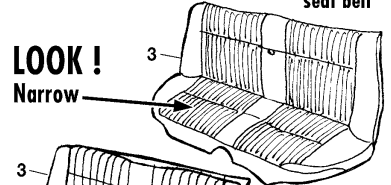


Wide LOOK!

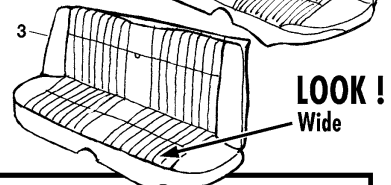


LOOK!
Cut-out for seat belt

LOOK!
Narrow



LOOK!
Wide

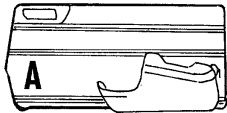


Use panel illustrations below to help with choosing trim kits etc.

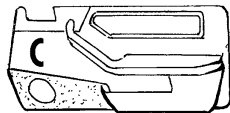
Saloon

Coupé

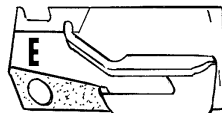
Series 1, 1968-'73



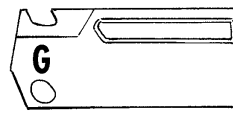
Series 2 XJ12, 1974-'76 with welded lines & kick carpet



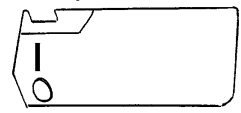
Series 2 XJ12 1977-'79 with kick carpet



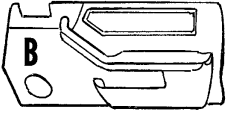
XJ6 Coupé Series 2 1974-'76 with welded lines



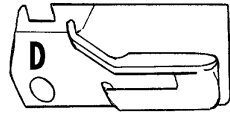
XJ6 Coupé Series 2 1977-'79



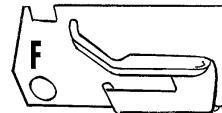
Series 2 XJ6 1974-'76 with welded lines



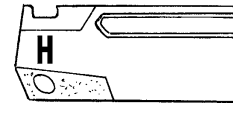
Series 2 XJ6 1977-'79



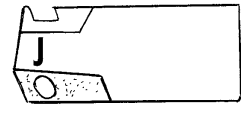
Series 3 1979-'87 Not Van Den Plas



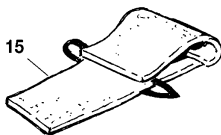
XJ12 Coupé Series 2 1974-'76 with welded lines & kick carpet



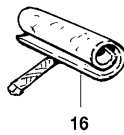
XJ12 Coupé Series 2 1977-'79 with kick carpet



Jack bag



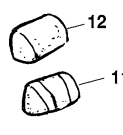
Tool roll



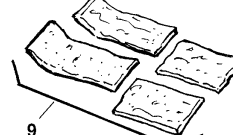
Seat base foam



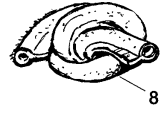
Headrest



Under carpet



Furlflex



ILL N°	PART N°	QTY	DESCRIPTION
IMPORTANT BEFORE ORDERING: Dear customer, before ordering check carefully which type of front and rear seats are in your car (narrow & embossed or wide) cut out for rear seat belt, check also which type of door panels are fitted in your car! (*Prices are indicative)			
• See Ill. Saloon panels A, B, C, D, E, F & Coupé panels G, H, I and J			
• Also very important is the colour, contact your local dealer for more info.			
Full trim kits include the following parts: front and rear seat covers, carpet set, door panels (excluding pockets) covering kit for armrests and pockets, covering kit for door cappings and door handle escutcheons, rear parcel shelf, 'B' post covers, centre console kit, headlining material, boot hardura kit including boot side trims, furlflex kit and a 4 piece under-carpet sound proofing pads set.			
1	158.392	1	*Full trim kit for: 'A' - Series 1, 1968-73
	158.395	1	*Full trim kit for: 'B' - Series 2, XJ6 1974-76. With welded lines
	158.396	1	*Full trim kit for: 'C' - Series 2, XJ12 1974-76. With welded lines and kick carpet
	158.397	1	*Full trim kit for: 'D' - Series 2, XJ6 1977-79
	158.398	1	*Full trim kit for: 'E' - Series 2, XJ12 1977-79. With kick carpet
	158.399	1	*Full trim kit for: 'F' - Series 3, 1979-87. Not van den plas
	158.400	1	*Full trim kit for: 'G' - XJ6 Coupé Series 2 1974-76. With welded lines
	158.401	1	*Full trim kit for: 'H' - XJ12 Coupé Series 2 1974-76. with welded lines and kick carpet
	158.402	1	*Full trim kit for: 'I' - XJ6 Coupé Series 2 1977-79
	158.403	1	*Full trim kit for: 'J' - XJ12 Coupé Series 2. With kick carpet

ILL N°	PART N°	QTY	DESCRIPTION
2	156.755	1	*Front seat covers, pair, see text 'important'
3	156.756	1	*Rear seat covers, see text 'important'
4	251.310	1	*Carpet set, includes Ill. No. 11, see text 'important'
7	251.313	1	Headlining material, beige
	251.314	1	Headlining material, grey
8	251.315	1	Furlflex kit, black
	251.316	1	Furlflex kit, beige
	251.317	1	Furlflex kit, grey
9	251.318	1	Under felt kit, set of 4 piece
10	157.099	1	Pair front seat base foams
11	159.948	1	*Pair headrest covers, see text 'important'
12	159.949	1	Pair headrest foams
13	251.319	1	*Pair front foot well carpets, see text 'important'
	251.320	1	*Set of 4 foot well carpets, see text 'important'
14	251.322	1	*Boot mat, carpet, see text 'important'
	251.323	1	*Boot mat, hardura, see text 'important'
15	159.818	1	Jack bag
16	159.950	1	Tool roll



Engine tuning & engine accessory parts



Part nr. **101.854** **MONZA**
Oil filler cap

2.1/2" diameter and chrome plated. To be used with the adaptor collar 017.205.



Part nr. **101.853** **ASTON**
Oil filler cap

2.1/2" diameter and chrome plated. To be used with the adaptor collar 017.205.



Part nr. **017.205** **Special adaptor collar**

For 2.1/2" Aston or Monza oil filler cap. This collar has a double thread and will fit all XK's valve covers up to the XJ6 Series II. Once the collar is fitted you can choose your own foil filler cap design, either Monza or Aston.



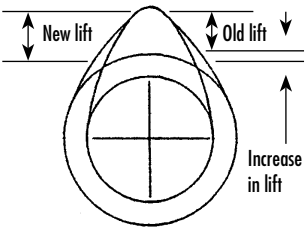
Part nr. **013.843** **Pair reprofiled camshafts**

3.4, 3.8 or 4.2 engines. Fast road specifications. These all round cams improve mild range. Cam lift 380 or 9.67mm, duration degree 270, timing 25/62 62/25, Valve clearances IN 6 EX 8 (thou).

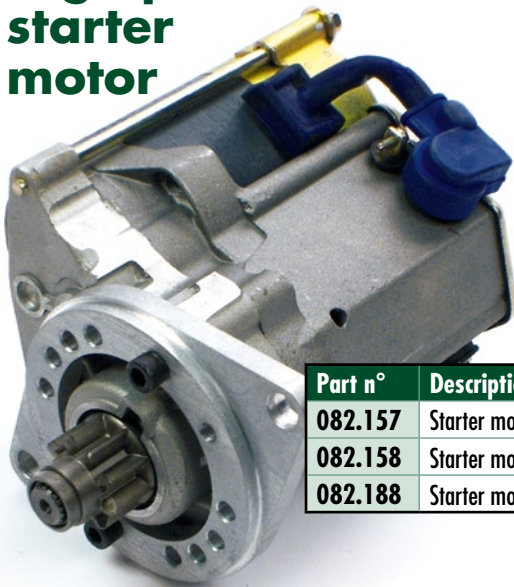
Part nr. **013.844** **Pair reprofiled camshafts**

3.4, 3.8, 4.2 engines. Road competition Useable for road and best with triple SU's or Webers. Cam lift 426 or 10.82mm, duration degrees 308, timing 52/76 76/52, Valve clearances IN 6 EX 8 (thou).

The picture below explains that by grinding a lobe smaller, more lift can be achieved. By reducing the base circle diameter, not only the size of the lobe is reduced. When adjusting the valve clearance, the cam follower sits closer to the shaft and the levering of the lobe is increased, and thereby increasing the lift.



High performance starter motor



Part n°	Description
082.157	Starter motor 3.4 & 4.2
082.158	Starter motor 12 cyl up to 1972
082.188	Starter motor 12 cyl 1972 on



Part nr. **200.839** **Cam alignment tool**
For XK six cylinder and V12 engines.



Part nr. **018.056** **Heavy duty valve spring set**

These heavy duty springs eliminate float at high RPM will result in a constant power delivery.

Part nr. **016.859** **Replacement oil seal**



Part nr. **011.917** **Rear crankshaft oil seal conversion kit, 6 cyl.**

Very functional but the rear of the crank has to be ground to 75mm before fitting this kit.



Filter sold individually, **011.050**

Part nr. **017.281** **XJ6 S1 Spin-on oil filter conversion kit**



Part nr. **200.869**

Tappet hold-down kit

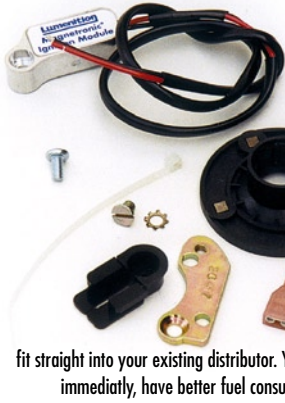
(2 sets required)

The tappet guides can work themselves loose, especially under the stress of high RPM or even just a lot of Km. This guide hold-down kit is the prevention needed. Fitting this kit is always less expensive than a loose tappet can cost you. Only required for outer side of tappets.





Magnetronic ignition system



Replaces contact breakers and condensers

Lumenition is proud to present the NEW Magnetronic Ignition System. Designed to replace troublesome points with a simple drop in installation. Each unit comes complete, ready to fit straight into your existing distributor. You will notice that your car will start immediately, have better fuel consumption, and increased performance. The Magnetronic Ignition System is suitable for most Lucas distributors, **NEGATIVE EARTH** and with or without vacuum advance.

Part n°	Description
086.579	XJ6 S1, 2.8 & 4.2 22 or 25D6, 1968-73
181.259	XJ6 S2, 3.4 & 4.2 45D6 1974-79

The benefits of the Magnetronic are: it is quick and easy to fit, completely self contained within the distributor and is a two wire connection. The unit is housed in a solid die-cast dissipating body which is unaffected by distributor wear and gives all the advantages associated with our Ignition Systems. **NEGATIVE EARTH ONLY!!!**

Part nr.

081.656

Magnetronic ignition coil

High energy electronically matched for optimum output from the Magnetronic system. Must be used with a ballast resistor, if not already fitted, partn° 086.608 is required.



Part nr.

081.657

Optronic ignition coil

High energy electronically matched for optimum output from the Optronic system. (must be with a ballast resistor) if not already fitted then partn° 086.608 is required



Part nr.

081.195

Sport coil,
NOT for electronic ignition



Lumenition®

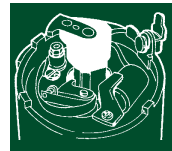
Originally for Negative earthed cars, ask for wiring info with positive earthed cars.



Power supply module

System with mechanical distributor and contact points.

Lumenition, no wearing parts & always perfect timing.



Ask your local Anglo Parts shop for more information



Part nr.

053.039

1L. DOT 4
Lockheed
brake fluid

Part nr.

053.018

1L. Silicone
brake fluid



The one thing that has the most dramatic effect on car braking performance is the quality of the friction material

GIVE IT A BRAKE, GIVE IT GREENSTUFF!!

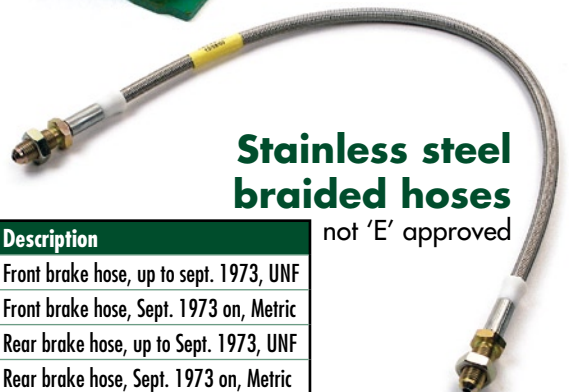
- Resist higher temperatures
- 20% more grip
- Less black dust



Part n°	Description
053.306	Front brake pad set, up to Sept. '73
053.308	Front brake pad set, 1973 on
053.307	Rear brake pad set

Stainless steel braided hoses

not 'E' approved



Part n°	Description
254.074	Front brake hose, up to sept. 1973, UNF
254.076	Front brake hose, Sept. 1973 on, Metric
254.075	Rear brake hose, up to Sept. 1973, UNF
254.077	Rear brake hose, Sept. 1973 on, Metric



Part nr.

108.209

Facet electric fuel pump

Negative earth only!
45 gallons/hour 7.5 PSI
High pressure fuel pump.
Years of proven reliability
in race, rally & road
specifications.
Negative
earthed & easy
to fit. Unions
not incl.



Part n°	Description
108.541	Pair 90° unions
108.542	Pair straight unions

Unions

For facet pump



Part nr.

101.819

Fuel pressure regulator

This adjustable fuel pressure regulator eliminates high-end power fade. The fully adjustable dial settings ensure proper metering of fuel for consistent low or high-end power. Comes complete with unions from 1/4", two hoses and clips.



Part nr.

101.821

In-line fuel filter from purolator

It is important that your fuel is filtered properly. This chrome plated fuel filter, complete with unions, hoses and installation clips will do the job right. Toughened glass file, cleanable filter and 1/4" bore

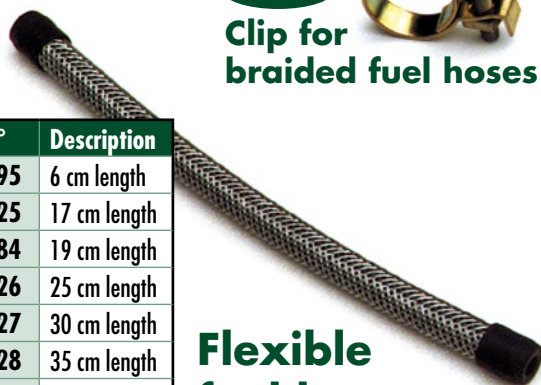
Part nr.

172.051

Clip for braided fuel hoses



Part n°	Description
102.095	6 cm length
101.325	17 cm length
101.384	19 cm length
101.326	25 cm length
101.327	30 cm length
101.328	35 cm length
101.047	38 cm length



Flexible fuel hoses

All 100% asbestos free



Part nr.

159.404

Exhaust wrap

5cm wide by 1500 cm long.
Reduces the engine bay temperature with up to 45%.
This temperature reduction is beneficial towards breathing. Cooler air and avoiding premature failure on costly engine components due to thermal deterioration.

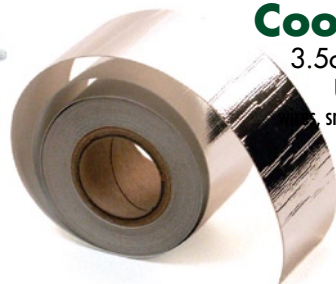


Part nr.

172.076

Strap

Handy strap for securing the wrap around tubes and small parts.



Part nr.

159.407

Cool-tape

3.5cm x 450cm
Used for wrapping small relay's, hoses etc.. in the engine bay. Very strong adhesive.



Part nr.

159.406

Versa shield

60 x 18 cm
Universal heat shield to protect starter motors, carburettors, electrical parts, fuel pumps etc.. from heat. Can be cut to shape and secures itself using the velcro provided.

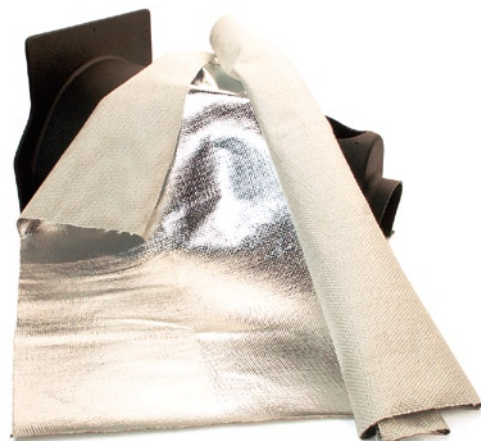


Part nr.

159.408

Heat shroud

90cm long and covers from 2 to 3cm wire or hose.
A fast and efficient solution for hoses, lines and tubes. Easy to use and install, the heat shroud utilizes a full length hook and loop material as a closure. Can be cut to length with a sharp knife.



Part nr.

159.405

Heat screen

100cm x 90cm
Designed with many uses in mind. Heat Screen is capable of withstanding direct heat up to 500 C° on one side, while protecting against radiant temperatures up to 1000 C° on the aluminised side.



MOTO-LITA *quality steering wheels*



These quality accessories are made from strong, finely finished solid wood.

They are a must for the classical driver who likes that bit of extra finesse and classic racing style. Since the early fifties Moto-Lita has been designing and manufacturing unique steering wheels in wood and leather. Each steering wheel is a piece of artwork built by British craftsman. The wooden steering wheels are made from carefully selected cross-laminated timber which is bonded and rivetted to a high quality hand polished alloy 3 spoke frame. They are then handfinished with a hardwearing deep lustre which is resistant to petrol, oil and the elements.

Part nr. **185.830**
Aluminium billet centre hub cap 3 1/2"

Boss for Moto-Lita steering wheels

- For Jaguar, When Daimler, also order Daimler badge 085.485



Part n°	Description
185.388	XJ6, XJ12 up to 1973
185.466	XJ6, XJ12 1974 to 1987
185.697	XJ12 1987 up to 1993

MK3 Wood rim

Not 'E' approved

Part n°	Sizes
185.026	35 CM
185.027	38 CM



Part n°	Sizes
185.156	35 CM
185.157	38 CM

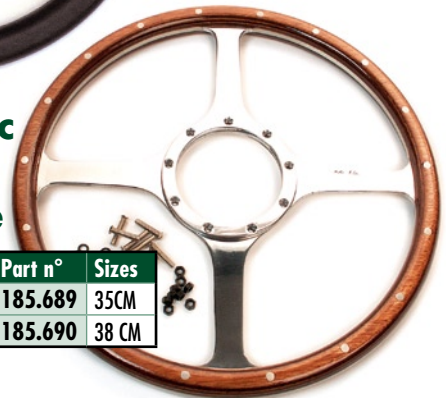
MK3 Leather

Not 'E' approved

Classic four spoke

Not 'E' approved

Part n°	Sizes
185.689	35CM
185.690	38 CM



XJ Bolt on Stainless Steel wire wheel



Part n°	Description
046.157	Bolt-on wheel, Stainless Steel, with nuts, 6.5x15, up to 1994
046.158	Bolt-on wheel, Stainless Steel, with nuts, 7.0x16, 1994 on
161.923	Spare wheel nut



Part nr. **159.328** Padded vinyl wing cover Jaguar



Part nr. **185.050** Wire wheel brush



Part nr. **198.050** Luster Lace, metal polish

This is the best way to polish your chrome and stainless steel metal. It's so simple and effective. The polish is in the cloth that you wrap around your chrome wheels etc. Test this very simple way of polishing and you'll be astounded!



Stainless Steel wheel arch set

Part n°	Description
140.622	Stainless Steel wheel arch cover set S1 & S2 SWB
140.664	Stainless Steel wheel arch cover set S2 LWB & S3



Moltex outdoor car covers

Moltex car covers are made from strong lightweight breathable waterproof material.

Whether you are looking for an in-door car cover, or a way to keep the sun off your car during the day, or an all season outdoor car cover, a Moltex car cover is the best solution. These universal car covers come with a stowage bag and two elasticated ropes with four hooks to keep the cover securely in place. Make sure the cover doesn't move because of wind. Tighten with additional ropes or elastic to avoid the car cover making matt areas through friction!

Part n°	Description
159.517	XJ Short wheel base (SWB)
159.518	XJ Long wheel base (LWB)

- * Superior water resistance
- * Protects from dust
- * Protects from pollution
- * Keeps interior cooler
- * Protects from bird & tree droppings
- * Elasticized edge for snug fit
- * Light and easy to use
- * Washable by hand or machine (+40°)



Part n°
159.521

Green indoor car cover

Made from 100% pure cotton, the inside has been brushed to give a soft flannel appearance. Although the material has been pre-washed, we recommend washing in cold water and soft soap.

Door mirror arm on spring

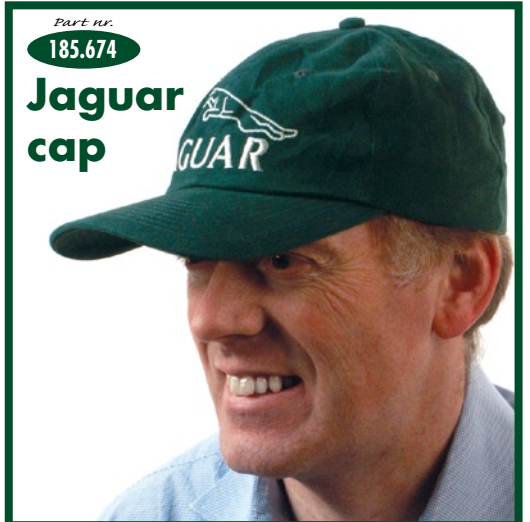
(incl. rubber gasket & screws)



Part n°	Description
141.123	LH mirror arm
141.122	RH mirror arm
141.125	Mirror head

Part n°
185.674

Jaguar cap



Shift knobs

Genuine walnut and black vinyl covered knobs with a cloisonné medaillon. Manual transmission only.

Part n°	Description
185.877	XJ walnut gearknob, crested
185.878	XJ walnut gearknob, plain
185.879	XJ vinyl gearknob



Part n°
185.874

Pair wooden gearknobs

Genuine walnut covered knobs, automatic transmission only.





Part nr.
185.332

Fire extinguisher

'E' Approved, 1 Kg dry chemical fire extinguisher. We hope you will never have to use it, but just in case, have it with you.

Part nr.
086.604 **800 mA Automatic Waterproof battery charger**

- Sparkproof and reverse polarity protected.
- 100% sealed and all-weather safe, incl. wet and cold weather
- Safely charges any size battery through 200 amp-hour capacity.
- For all vehicle types: car, motorbike, boats, caravans...
- Led battery status display
- Check battery status before charging
- Bulk charge raises battery voltage to 14.4 Vdc
- Float/storage monitors and maintains fully charged battery for an indefinite period of time



Part nr.

185.328

Reflector-triangle

Heavy duty and 'E' approved In case of an emergency, be seen and put this triangle at least 30 meters in front of the obstacle

Mud flaps

Part n°	Description
185.841	Front mud flaps
185.842	Rear mud flaps



Part nr.

141.865

Leaping Jaguar

Top Quality, British made ! Use 2 nuts 161.080 for fixing. Needs to be adjusted.



Part nr.

284.092

Rear fog lamp

Styled with chrome rim



Part nr.

284.177

Reverse lamp

Styled with chrome rim



Part nr.

132.646

Oil drip pan

Is useful to put under your lawn-mower, British bike or even under your Classic car





Oils, greases & lead replacement additives

Part nr. 198.059
Valvemaster Plus
 Castrol valvemaster is a phosphorous based additive to enable you to use unleaded petrol in your classic without modifying the engines soft valve seats.

Castrol Valvemaster is endorsed by the Federation of British Historic Vehicle Clubs (FBHVC) following the tests developed by that independent body. Supplied in 250ml bottles, with a built in measuring device. 10ml treats 10 litres of unleaded giving you the flexibility to fill up with varying quantities of fuel. OK for 40 L



Part nr. 200.604
Grease gun

Part nr. 186.021
Cartridge Castrol LMX grease (Bearings)



Part nr. 187.012
Castrol silicon spray, 400 ml
 For protecting and waterproofing ignition systems, locks. Can be used to protect chrome etc.



Part nr. 186.031
Cartridge Castrol LM grease



Part n°	Description
200.735	Pint • 0.568 L
200.749	Quart • 1.137 L

Castrol oil pouter



Part nr. 300.522
20W/50 Classic Castrol oil 4.5 Litres



Castrol body stickers

Part n°	Description
085.381	10" sticker
085.418	5" sticker

Part nr. 198.042
VSP PLUS Lead substitute & octane booster

To be added to unleaded fuel as a replacement for 4 star leaded petrol. Most pre-1990 or classic cars cannot run on unleaded petrol without risking severe valve seat wear. VSP PLUS uses advanced Manganese technology which: • protects against valve seat recession • Boosts octane of unleaded petrol typically back to 4 old star leaded levels • OK for 40 L



Part nr. 186.034
Copper grease

With wire wheels hubs & spinners get very hot. Normal grease becomes liquid and disappears, causing them to get stuck with risk of damage. This copper grease withstands these high temperatures and makes it easy to remove spinners.



Part nr. 052.117
Rubber grease
 A quality product for greasing all rubber, especially brakes & clutch



PENRITE OIL

Part nr. 330.060
Cam assembly lube, 40 gm
 For lubricating engine components during assembly not for use on pistons or in the ring area.



Part nr. 300.509
Running-In oil, 5L

Running-In Oil is designed to promote and control the bedding in process of newly rebuilt engines. It should be used for the first 300 miles and then replaced with the appropriate grade of HPR oil.



Part nr. 330.070
Damper oil 125 ml
 Specifically formulated for SU carburetors (both damped and non-damped) of all ages and certain Stromberg carburetors.

Gearbox Oil 30

Part n°	Description
300.511	gearbox oil 5L
300.111	gearbox oil 1L



Part nr. 200.758
Penrite oil pouter, 1 Litre



Penrite classic oil

Part n°	Description
300.501	20W/60 classic oil 5L
300.101	20W/60 classic oil 1L





AUTOGLYM

Simply outstanding

Part n°	Description
198.005	480ml car shampoo & conditioner
198.008	Cutting polish for badly damaged paint
198.007	Super resin polish
198.011	Extra gloss protection
198.006	Clean wheels
198.031	Instant tyre dressing
198.009	Bumper care (rubber)
198.012	Glass protection
198.035	Fast glass cleaner (spray)
198.013	Interior shampoo
198.010	Vinyl & rubber care
198.014	Instant tar remover
198.003	Chrome polish (tube 75gr.)
198.033	8 x polishing clothes
198.039	Leather care
198.057	Engine cleaner



Part nr. 198.061
Autoglym gift pack



Part nr. 185.046
Connolly hide care
Don't let leather dry out! Use this at least once a year



Part nr. 198.060
Hydra blade
Effortless removal of shampoo rinse water



Part nr. 185.343
Car wash handshoe
The perfect cloth for washing your classical



Part nr. 185.551
Connolly hide care kit
For cleaning and preserving hides, upholstery and all leather clothing



Part nr. 185.351
Car duster

This 100% cotton dusting mop has been specially treated to trap dust. Shake out and it's ready to use again.
DO NOT WASH OUT



Part nr. 185.334
Chamois
We offer only the best real natural chamois. These are specially made for the car industry having larger dimensions than most of them and are thick and extremely soft. Approx. 40 x 62cm. Made in England of course.



Part nr. 185.335
The professional wringer
Heavy duty industrial quality wringer for chamois, towels etc. Specifications: Rustproof all steel frame, maintenance free rollers and bearings, adjustable pressure over the entire length of the rollers for uniform water removal. The complete wringer machine has two strong clamps for easy attaching.





Part nr. 186.087

WaxOyl Anti-Corrosion
2.5L Starter kit



Part nr. 186.084

2.5 L. WaxOyl
refill can



Part nr. 186.080

WaxOyl 400ml Spray



Part nr. 198.069

Wet Protect
High performance spray that protects electronics from moisture. Long lasting protective water resistant coating when used. 40 ml.



Part nr. 187.009

Glue gel pot 625 gr.
This very strong all purpose glue is perfect for sticking panels, carpets and other trim parts.



Part nr. 186.151

"Fertan" rust killer
Pumpspray, 250ml



Part nr. 186.164

"Fertan" rust killer, 30ml.



Part nr. 186.165

"Fertan" rust killer, 1L.



Part nr. 187.010

Glue spray
This strong spray glue can be used for all purposes.



Part nr. 187.011

Tube glue gel
This tube of all purpose glue is perfect for sticking small trim parts.



Part nr. 186.159

5L. Coolant for winter & summer

This coolant acts as an anti-freeze and protects from corrosion. DO NOT USE just water, it will damage aluminium (cyl. head etc.).
Illustration maybe different from delivered product.



Part nr. 198.044

Water Wetter

This super coolant helps control overheating by reducing surface tension inside the radiator. Your car can run up to 7°C cooler. Use only one or two of these bottles and the 'Water Wetter' will do the job.



Part nr. 053.039

1L. Dot 4 high quality brake fluid

1L. Dot 5 high performance brake fluid
For race & rally

Part nr. 053.177



Part nr. 053.018

1L. Silicone brake fluid



Loctite gasket products



Part nr. 198.016

300ml spray, gasket remover
Removes paper, paint, gasket etc.



Part nr. 016.269

200 ml. Form-A-Gasket Nr. 1, gasket cement tube

Use on both sides of the gasket or direct on the surface.



Part nr. 016.627

Loctite tube, 3 gr.

Part nr. 198.017

Form -A- Gasket Nr. 1372, 200 ml gasket cement tube

Use on both sides of a gasket or direct on the surface. Specially for high temperatures up to 315°C. Also usefull for exhaust pipe fitting.



Part nr. 198.036

Castrol cleaner

This great cleaner is perfect for cleaning engines & mechanical parts





Part nr.
185.751 Jaguar mug



Part nr.
185.605 Key fob Daimler



Part nr.
185.712 Key fob Jaguar



Part nr.
085.413 Jaguar sticker
10 x 4cm



Part nr.
185.756 Jaguar patch
11 x 7cm



Part nr.
085.357 Jaguar soft adhesive badge, 27mm



Part nr.
185.736 Jaguar umbrella



Part nr.
185.199 Union Jack Flag
70 X 100 cm

Part nr.
185.002 Union Jack badge
Quality chrome with jewellers enamel.
A masterpiece for your car. 34 x 57mm



Part nr.
162.405 Screw
Part nr.
161.054 Nut



Part nr.
185.219 Union Jack on pin
Fine chrome & jewellers enamel

Part nr.
185.709 Union Jack desk dressing flag



Part nr.
185.210 Key fob Union Jack



Part nr.
085.149 Magnetic U.J.
For your car or as decoration & souvenir.
measurements: 90 x 55 mm



Part nr.
185.755 Chrome GB stick-on



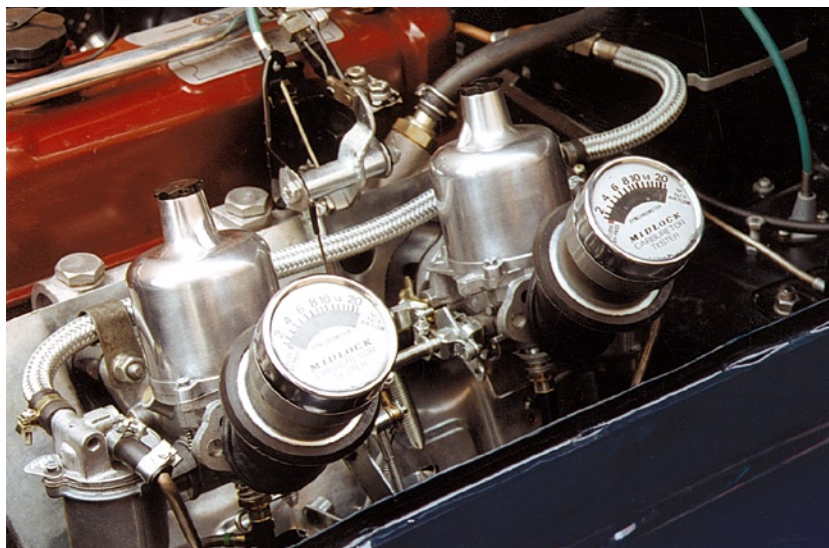
Part nr.
085.362 Union Jack soft adhesive badge, 27mm dia.



Part nr.
085.157 Union Jack sticker
For your car or as decoration & souvenir.
measurements: 73 x 43 mm



Part nr.
185.174 Union Jack patch
52 x 78mm



Part nr.
200.679

Pair of "Midlock" carburettor testers

Comes complete with a universal adaptor

Part nr.
200.750

Exhaust gas analyzer

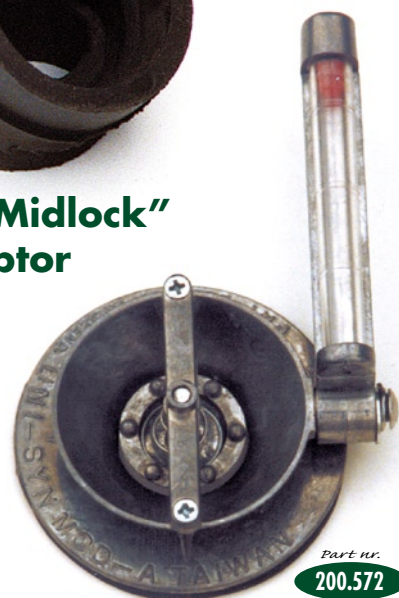
Tune your engine to peak performance with this quality gas analyzer



Part nr.
200.683 "Midlock"

2" Adaptor

Sold individually



Part nr.
200.572

Carburettor synchronizer

Part nr.
200.573

Set of tools to tune up your SU

This kit includes a mixture test gauge, rods to set the float level, jet wrench, a jet centering tool and instructions.



Part nr.
200.748

Colortune from Gunson

With its glass top spark plug you can observe the colour of the combustion in the chamber



Part nr.
200.002
High quality open spanner set
1/4" to 1.1/4"



Part nr.
200.047
High quality combination spanners
7/16" to 7/8"



Part nr.
200.588
High quality robust rivet tool



Part nr.
200.438
Universal ball joint separator



Part nr.
053.176
Vizibleed bleeder
Easy bleeding of brakes & clutch



Part nr.
200.391
Car circuit tester
Especially for car electric. Comes with pointed probe, cap cover, connecting lead & alligator clip



Part nr.
200.800
Set of expert quality AF sockets
Set of 1/2" square drive 12 point sockets manufactured from chrome vanadium steel. Hardened, tempered, chrome plated and polished for corrosion protection. Contents: 5/16, 3/8, 7/16, 1/2, 9/16, 5/8, 11/16, 3/4, 13/16, 7/8, 15/16, 1.1/16, 1.1/8, 1.3/16, 1.1/4 and 1.5/16" AF.



Part nr.
200.737
Bending tool
The best tool for bending your brake pipe set etc.



Part nr.
200.452
Spark plug socket
With insulated T-handle



Part nr.
200.746
Eezi Bleed
Makes bleeding easy without any pedal pumping. Uses your tyre pressure to bleed brakes, clutch etc.



POZIDRIV Chrome alloy steel screwdrivers

Part n°	Description
200.352	N°2
200.353	N°3



Part nr.
200.442
Precision rule
Made from hardened stainless steel with a clear graduation in Inches & cm

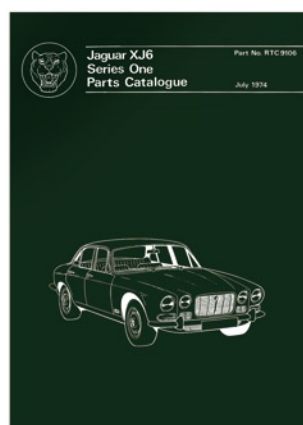
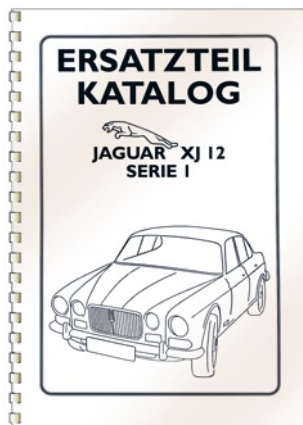


Factory Workshop Manuals



Part n°	Description	Details
190.629	Jaguar XJ6 Series 1, 2.8 & 4.2 litre	Includes routine maintenance, spe's and full repair and service procedures for all Official Service Manual components. 570 pages, photos, drawings, softbound
190.630	Jaguar XJ6 Series 2 Official Service Manual	Information on maintenance, repair and servicing procedures, 398 pages, illustrated with wiring diagrams, softbound
190.631	Jaguar XJ12 Series 1 Official Repair Operation Manual	All repair and service procedures are covered in detail, 450 pages, drawings, diagrams, softbound
190.632	Jaguar XJ12 Series 2 Official Repair Operation Manual	Detailed specs., repair and maintenance instructions, 360 pages, drawings, softbound
190.633	Jaguar XJ6/XJ12 Series 3 Official Service Manual	Maintenance and repair of all components, in immense detail, 506 pages, drawings, softbound

Factory Parts Catalogues & Owners Handbooks

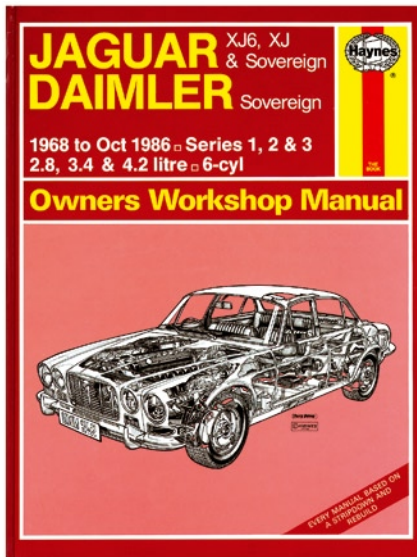


Part n°	Description	Details
190.643	Jaguar XJ6 Series 1 Official Parts Catalogue	186 pages, exploded views etc., softbound
190.644	Jaguar XJ6 Series 2 Official Parts Catalogue	Approx. 400 pages with drawings etc., softbound
190.406	Jaguar XJ6 & Daimler Sovereign Series 3 Parts Catalogue	Covers models up to August 1985 inc. Daimler Sovereign, 354 pages, many drawings, diagrams, softbound
190.472	Jaguar XJ12 Parts Catalogue	249 pages, factory drawings, softbound
190.655	Jaguar XJ6 3.4 & 4.2 Series 2 Official Owners Handbook	Instructions for operating and maintenance (plus wiring diagrams) for the 4-door saloon. 62 pages, softbound
190.656	Jaguar XJ6C Series 2 Official Owners Handbook	General data, care and maintenance instructions for all components, 62 pages (plus wiring diagrams), softbound
190.658	Jaguar XJ12 Series 3 Official Owners Handbook	Identification, specs all components, bodywork care, fuel consumption, 70 pages with drawings
190.659	Jaguar XJ12 Series 3 Official Owners Handbook	General information, controls, components, care of bodywork, 64 pages with photos, Hardback



Haynes Manuals

The clear, step-by-step illustrated instructions cover the dismantling, inspection, repair and refitting of the engine, cooling system, fuel and emission control systems, exhaust, ignition system, clutch, manual gearbox, propeller shaft or drive shafts, braking system... These manuals are based on a complete stripdown and rebuild. Manuals are hardback, 270 X 210 mm, B&W illustrations



JAGUAR DAIMLER XJ6, XJ & Sovereign Sovereign

1968 to Oct 1986 □ Series 1, 2 & 3
2.8, 3.4 & 4.2 litre □ 6-cyl

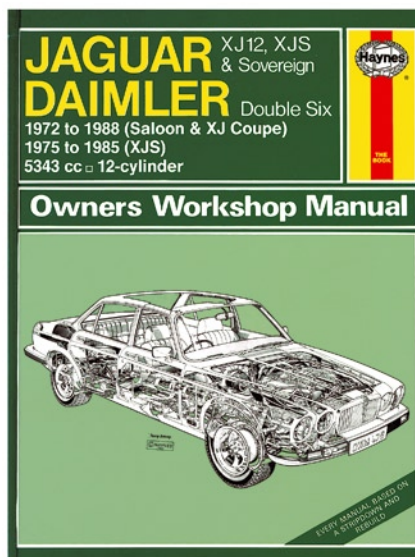
Owners Workshop Manual



EVERY MANUAL BASED ON A STRIPDOWN AND REBUILD

Part nr.
190.496

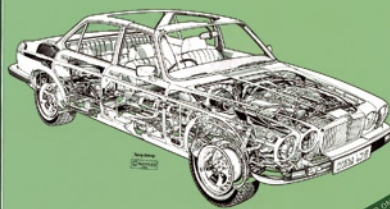
Jaguar XJ6, XJ & Sovereign, Daimler Sovereign 1968-'86



JAGUAR DAIMLER XJ12, XJS & Sovereign Double Six

1972 to 1988 (Saloon & XJ Coupe)
1975 to 1985 (XJS)
5343 cc □ 12-cylinder

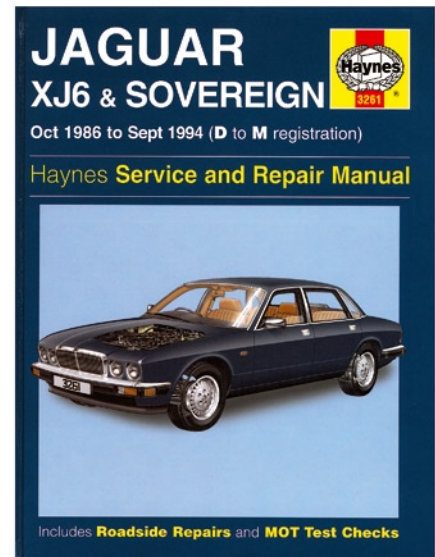
Owners Workshop Manual



EVERY MANUAL BASED ON A STRIPDOWN AND REBUILD

Part nr.
190.497

Jaguar XJ12, XJS & Sovereign Daimler Double Six



JAGUAR XJ6 & SOVEREIGN

Oct 1986 to Sept 1994 (D to M registration)

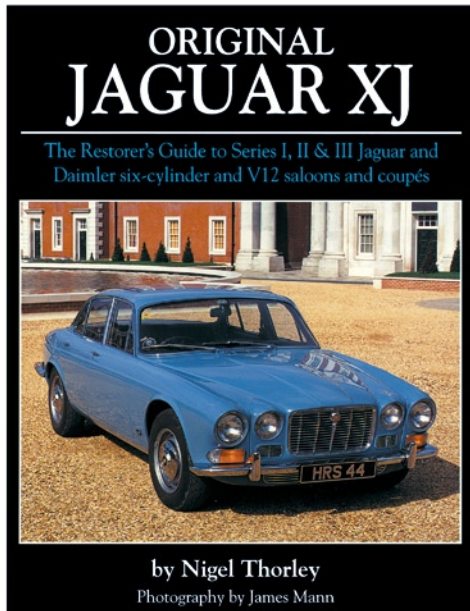
Haynes **Service and Repair Manual**



Includes **Roadside Repairs** and **MOT Test Checks**

Part nr.
190.508

Jaguar XJ6 & Sovereign, service and repair manual, 1986-'94



ORIGINAL JAGUAR XJ

The Restorer's Guide to Series I, II & III Jaguar and Daimler six-cylinder and V12 saloons and coupés



by Nigel Thorley
Photography by James Mann

Part nr.
190.562

Original Jaguar XJ
(by Nigel Thorley)

A detailed production history of the 6-cylinder and V12 Jaguar and Daimler XJ models. The evolution of this large range is described, with details of differences between models, production changes, etc., and specially commissioned colour photographs. Hardback, 295 X 225 MM, 128 pages with 250 colour pictures



Haynes **Restoration Manual**

Jaguar XJ6 Series 1, 2 & 3



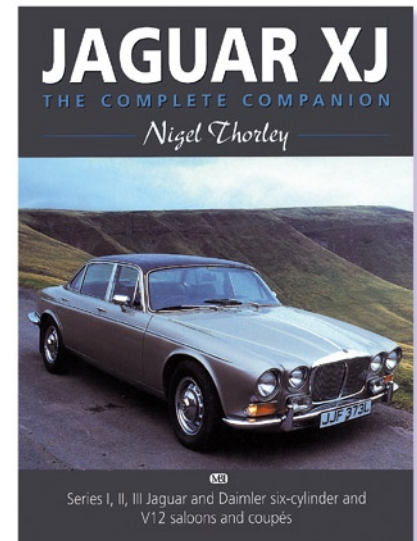
History
Buying
Specification
Bodywork
Mechanics
Interior
Electrics
Modifications

Dave Pollard

Part nr.
190.727

Haynes XJ Restoration Manual
(by Dave Pollard)

An essential reference for anyone considering a restoration of a XJ6. Covers Series I, II, III from 1969 to 1986. Shows you how to repair, strip down, rebuild and tune your XJ. With tips on what to look for when buying a used XJ6. Hardback, 270 X 210 MM, 216 pages with 900 B&W illustrations.



JAGUAR XJ

THE COMPLETE COMPANION

Nigel Thorley



Series I, II, III Jaguar and Daimler six-cylinder and V12 saloons and coupés

Part nr.
190.324

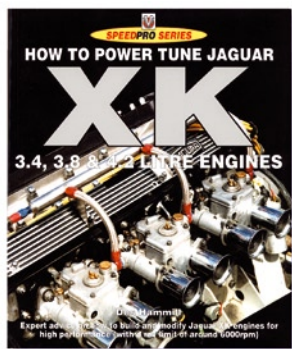
Jaguar XJ, the complete companion
(by Nigel Thorley)

Years of research and a lifetime's experience of owning and restoring the Jaguar XK have gone into this detailed study of Series 1, 2 and 3 XJ saloons and coupes, from the first XJ6 built in 1968 to the last Serie 3 V12. Softbound, 260 X 190 MM, 176 pages, many B&W and colour illustrations.



Jaguar XJ6 & XJ12 • Daimler Sovereign & Double Six

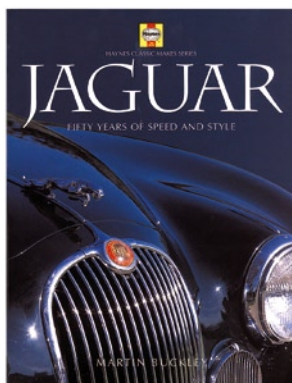
Jaguar, technical & history books



Part nr. **190.586**

How to power tune Jaguar XK engines

(by Des Hammill)
All you need to know about getting maximum performance with reliability from the famous Jaguar XK 6-cylinder engine. A book packed with easily understood and down to earth advice based on the author's many years on hands-on experience. Softbound, 250 X 207 MM, 112 pages with c. 200 B&W pictures



Part nr. **190.598**

Jaguar 50 years of speed & style

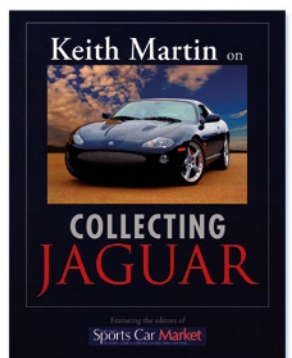
(Martin Buckley)
This book, beautifully styled like the big cats themselves, is a must-have purchase for all Jaguar enthusiasts. A brief historical overview followed by authoritative descriptions of the cars from the XK120 of 1948 to today's S & X-types. With technical specifications, driving impressions and buying hints. An absolute feast of information. Hardback, 270 X 210 MM, 176 pages with 140 mainly colour illustrations.



Part nr. **190.058**

British parts, tools & accessories catalogue

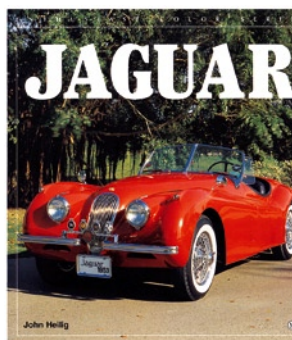
This is THE catalogue for all "British Classic Car" owners. This full colour catalogue counting more than 130 pages is absolutely packed with parts and accessories: Screws, bolts and kits, fasteners, plugs, connectors, pipes, tubes, seals, clamps, filters, grommets, spanners, screwdrivers, pliers, engine tools, interiors, bodywork and electricity, lights & lamps, mirrors, badges, fuel caps and pumps, straps, safety belts, wipers, safety products, cleaning products, gloves, clothes, caps, helmets, oil and oil based products, steering wheels, wire wheels, spinners, hubs, stickers and lots more. It's impossible to mention how much you will find in this catalogue so there's only one thing to do: get one as quickly as possible from your Anglo-Parts dealer. 295 x 210 mm



Part nr. **190.803**

Collecting Jaguar

(Keith Martin and editors of Sports Car Market Magazine)
Keith Martin's vast experience writing car-collecting columns in magazines such as Auto week and Automobile, appearances on Speed Channel, seminars, at major auctions, and publishing Sports Car Market Magazine has made him an expert on cat collecting. In this book Martin and other editors and contributors of SCM have collected the magazine's best articles and auction reports covering the jaguar marque. Full of pithy comments and straight talk about the pros and cons of Jaguar ownership, this book will be an incredible value for Jaguar lovers and fans of SCM. Softbound, 19.8 x 25.5CM, 116 pages, 175 color pictures



Part nr. **190.592**

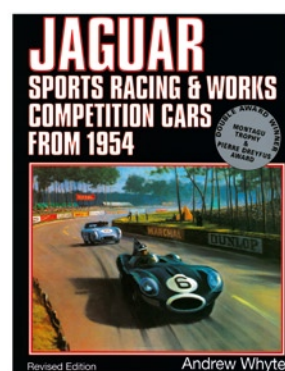
Jaguar

(John Heilig)
This is a colourful overview of more than 50 years of Jaguar cars, with a focus on the most collectible and desirable cars built after WWII. Jaguar books prove to be popular, not only for those fortunate enough to own these remarkable cars, but also for sports car enthusiasts who simply appreciate Jaguar's exquisite styling and outstanding performance. Cars covered in this book include those built prior to WWII, the extremely popular XK E-Type and XK Series cars, and the impressive new XK8, which has graced the covers of automotive magazines worldwide in the past year. Softbound, 230 X 230 MM, 96 pages with 80 colour illustrations

Part nr. **190.799**

Jaguar Sports racing and works competition cars to 1953, Vol 1

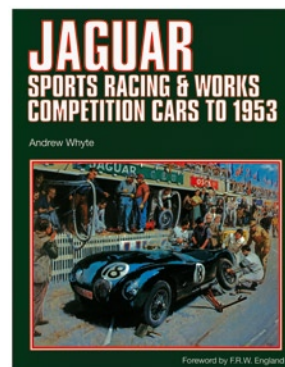
(Andrew Whyte)
The re-issue of this history of Jaguar in motorsport, first published in 1987, is generally considered to be the definitive work on the subject. Covers every significant race or rally featuring competition from an SS or Jaguar, and even a Swallow sidecar. Offers insight and personal accounts of the engineers, drivers and journalists involved. Comprehensive appendices list details of every C-Type, D-Type, XKSS and special-bodied E-Type built. Hardback, 20.4 x 26.4CM, 416 pages, 500 b&w pictures



Part nr. **190.800**

Jaguar Sports racing and works competition cars from 1954, Vol 2

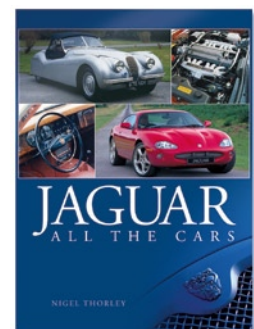
(Andrew Whyte)
The re-issue of the Jaguar motorsport history that is generally considered the definitive work on the subject gives enthusiasts the chance to obtain what has become a sought-after collectors item. Every significant race or rally in which an SS or Jaguar competed is covered with the personal accounts of those involved; comprehensive appendices listing details of every C-Type, D-Type, XKSS and special-bodied E-Type built; information on XK-engined hybrids like the lister-Jaguars and Cooper-Jaguars; the early stages of Jaguar's motorsport rebirth; and hundreds of photographs. Hardback, 19.8 x 25.2CM, 624 pages, 1100 b&w pictures



Part nr. **190.734**

Jaguar, All the cars

(Nigel Thorley)
This extensively researched guide provides exhaustive reference detail for all post-war Jaguar models. Information provided includes technical specifications, production changes, chassis numbers, production numbers, colour schemes etc. Each model is dealt with in a separate chapter with clear tabular information. Hardback, 233 X 169 MM, 256 pages with 400 colour illustrations.



Part nr. **190.737**

You & your Jaguar XJ40 buying, enjoying, maintaining and modifying

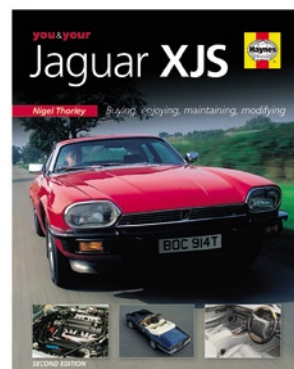
(by Nigel Thorley)
The XJ40, mainstay of Jaguar production from 1986 to 1994, was the last saloon in which Sir William Lyons had any style involvement. It broke new ground with it's technical sophistication and reintroduced the marque to a younger buying public. Today the XJ40 - more reliable and economic to buy and run - is an important 'entry level' model for first time Jaguar buyers and has a large following. Hardback, 270 X 210 MM, 160 pages with 175 illustrations, mainly colour



Part nr. **190.605**

You & your Jaguar XJS buying, enjoying, maintaining and modifying

(by Nigel Thorley)
The Jaguar XJ was one of the finest grand touring cars of its era. It survived the British Leyland days, Jaguar's privatisation and the takeover by Ford and it was still very much in demand even before its replacement, the XK8, came on to the scene in 1996. This colour book, which covers the full road car and competition history, will fascinate all Jaguar enthusiasts. Hardback, 270 X 210 MM, 160 pages with 175 illustrations, mainly colour





BELANGRIJKE PUNTEN

De verkoopvoorwaarden zijn op de achterzijde van de facturen gedrukt en bevinden zich op onze web site. Aanpassingen worden in de recentste catalogus of prijslijst gezet en op onze web site bijgewerkt. Als u bij ons bestelt, gaat u akkoord met onze verkoopvoorwaarden (en aanvaardt u ze). U mag altijd een nieuwe publicatie aanvragen. De recentste publicatie zal alle vorige vervullen en vervangen. Gelieve de belangrijkste punten hieronder vermeld te lezen.

ONZE VERKOPERS

We zijn geen getrainde technici en zijn niet aansprakelijk voor fouten die we zeggen of schrijven. We zijn autofanaten die u willen helpen. Voor technische uitleg bevelen we u de boeken uit de lijst in de catalogus aan.

ONZE KATALOGI

Geen inspanning was ons te groot de juiste informatie in onze catalogi en op onze web site te zetten. We kunnen niet aansprakelijk gesteld worden voor fouten of onnauwkeurigheden i.v.m. de specificering, de prijsbepaling of de onderdeelnummers. We hebben het recht een fout te verbeteren. De illustraties en foto's in onze catalogi en op onze web site zijn slechts voorstellingen en er kunnen qua vorm kleine verschillen optreden, maar de geleverde producten blijven qua kwaliteit en bestemming hetzelfde.

ONZE ONDERDEELNUMMERS EN PRIJZEN

Alle onderdelen (of sets van onderdelen) kregen van ons een stuknummer. De vereiste hoeveelheid (QT) staat voor de hoeveelheid voor afzonderlijk gebruik. De hoeveelheid die u vraagt kan verschillen en moet naast elk nummer van het onderdeel, dat u bestelt, vermeld staan. Gelieve te verwijzen naar onze recentste prijslijsten om de leverbaarheid te garanderen. Onderdelen die niet leverbaar zijn, kunnen soms tweedehands geleverd worden. Deze tweedehands onderdelen staan niet altijd in onze prijslijsten en op onze web site. De prijzen in onze prijslijsten en op onze web site zijn prijzen per stuk en staan er alleen ter informatie. Ze kunnen plots veranderen naargelang de stijging of daling van de inkooprijzen. Ze kunnen zonder of met B.T.W. vermeld staan. Dit is op elke prijslijst aangeduid. De stuknummers bestaan uit zes cijfers. De eerste drie cijfers geven de aard van het stuk aan. 161 staat bijvoorbeeld voor moeren, 162 voor schroeven, 163 voor platte rondellen. De staat van het onderdeel wordt in de prijslijst en op de web site vermeld of kan worden herkend aan het nummer. De volgende codes zullen in de prijslijst en op de web site naast het nummer voor stukken, die niet nieuw geleverd worden, staan: SH = tweedehands, EX = geleverd op ruilbasis en een supplement zal worden aangerekend. NA = op het ogenblik niet beschikbaar. LH = links of RH = rechts. Bekeken vanuit de bestuurderszijde. LHD = bestuurder aan linkerkant of RHD = bestuurder aan de rechterkant. A/R = Zoals vereist. Dit betekent dat de vereiste hoeveelheid naargelang de toepassing kan verschillen. USE = het stuknummer wordt door het aangegeven nummer vervangen.

BESTELLINGEN

U kan altijd bestellen via onze web site, per e-mail, fax, brief, telefoon, of gewoon in de winkel. **Voor bestellingen die niet langs onze web site gebeuren gelieve rekening te houden met de volgende gegevens, wanneer u ons bestelformulier gebruikt:**

- uw klantnummer, naam, adres, telefoonnummer werk/ thuis, faxnummer, VAT(BTW)-nummer voor bedrijven;
- specificeer als het leveringsadres verschilt;
- informatie over de auto, merk, model, bouwjaar, enz.;
- gebruik zoveel mogelijk onze onderdeelnummers. Dit zal de behandeling van uw bestelling vergemakkelijken;
- geef het aantal stukken aan en beschrijf de onderdelen;
- duid de betaalwijze aan: Bank (voorafbetaling), VISA, EUROCARD of MASTER CARD.
- Eens uw bestelling geplaatst, zetten we deze in de computer. Automatisch volgen dan de etiketten, de picking lists en de checking lists. Als u een geplaatste bestelling wilt wijzigen, kan deze het hele systeem in de war sturen en, op die manier fouten of vertragingen veroorzaken. Daarom vragen we u de bestelling goed na te kijken, **vóór u ze plaatst.** Dit zal ons helpen de onderdelen op tijd te leveren. We danken u voor uw begrip.

BETALINGEN

Kredietkaart: Op het tijdstip van publicatie aanvaarden we volgende kredietkaarten: VISA, EUROCARD, ACCES CARD, MASTERCARD.

Gelieve het rekeningnummer, de vervaldag (en code indien aangegeven) en de kaarthoudersnaam te vermelden.

Bank: **(Niet voor bestellingen via onze web site)** Als de goederen bijeengebracht, ingepakt, gewogen en gemeten zijn, zal het faktuur opgesteld worden en zullen we het totale te betalen bedrag, het factuurnummer en onze bankgegevens meedelen. Gelieve het factuurnummer en het klantnummer op elke betaling te noteren. (De betaling dient te gebeuren zonder bankkosten voor de begunstigde.)

VERZENDING

Nationaal: We leveren bij u thuis, en de goederen, transportkosten inbegrepen, moeten bij levering C.O.D. betaald worden, als u geen kredietkaart gebruikt.
Internationaal: We verzenden via UPS (United Parcel Services) voor kleine pakketten, waarbij de transportkosten voorafbetaald zijn. Bij ontvangst betaalt u nog alleen de TAX indien u in een niet EEG land woont. Voor grote en zware pakketten gebruiken we een goedkope en snelle transportmethode. Anglo Parts pakt zijn goederen goed in en het risico op beschadiging is zeer klein. Toch moet u met het volgende rekening houden. Anglo Parts kan niet aansprakelijk gesteld worden voor verloren of beschadigde goederen tijdens het transport. Klachten over verlies en schade, die niet door de vervoerder veroorzaakt werden, moeten binnen drie dagen na de ontvangst van de bestelling ingediend worden. Al het verpakkingsmateriaal moet ter verificatie bijgehouden worden. Het vervoer van glas is niet verzekerd en gebeurt op risico van de koper.

ONTVANGST VAN DE GOEDEREN

Gelieve bij de ontvangst van elke verzending na te kijken of zegels en plakbanden niet stuk zijn en het pak niet beschadigd is. In geval van beschadiging of verlies, schrijft u dit op de vrachtbrief in overeenstemming met de actuele toestand en hoeveelheid van de inhoud van uw verzending, **voordat u het ontvangstbewijs tekent.** Bewaar uw kopie bij het faktuur en dien onmiddellijk bij de transportfirma een klacht in. Hou in elk geval de verpakking tot de zaak geregeld is. Bij Anglo Parts controleren twee personen de goederen, de eerste keer tijdens het bijbrengen en de tweede keer bij het verpakken van de goederen om zeker geen fouten te maken. **Uiteindelijk moet de klant zelf de allerlaatste controle bij ontvangst uitvoeren.** Vergewis er u van dat u alle gefactureerde goederen ontvangen heeft en dat alle mechanische goederen werken. Wacht niet met de controle van de goederen tot u ze werkelijk nodig heeft en meld problemen binnen drie dagen na ontvangst.

DE WAARBORG

Bijna alle onderdelen voor klassieke wagens worden in kleine hoeveelheden gefabriceerd door bedrijven, die dit voor een aanvaardbare prijs doen. Anglo Parts probeert zoveel mogelijk zelf de goederen na te kijken, maar we kunnen niet elk produkt controleren. **Vóór de montage moet de gebruiker de laatste controle zelf uitvoeren.** Vooral de mechanische produkten moeten worden nagekeken om er zeker van te zijn dat ze in de beste staat verkeren. De garantieperiode begint vanaf de factuurdatum, **niet vanaf de datum van plaatsing.** De waarborg op onze onderdelen is normaal en redelijk, maar de klachten zijn beperkt tot de waarde van het component en dekt in geen geval: uurloon, transportkosten, fouten bij een component dat eraan vastzit, fouten als gevolg van een slechte plaatsing of onderdelen die voor rally of competitie gebruikt worden. Bij klachten i.v.m. de waarborg moeten alle produkten naar de winkel van aankoop teruggebracht worden. Daarbij moet u de volgende punten in acht nemen: -de waarde moet groter zijn dan 7,5 Euro -de verzendingskosten en taksen moeten bij terugzending van de goederen voorafbetaald zijn; -alle goederen moeten schoon en goed verpakt teruggestuurd worden. Zodra U of derden het onderdeel uit elkaar hebben gehaald, zijn we niet meer aansprakelijk. Uiteindelijk beslist Anglo Parts zelf of het gaat over een intrinsiek defect aan de eenheid, of het defect bij plaatsing veroorzaakt werd. Goederen beschadigd door slechte verpakking of transport tijdens de terugzending komen niet in aanmerking voor onderzoek.

TERUGZENDEN

Wanneer U een verkeerd onderdeel als gevolg van uw foute bestelling ontvangen hebt, zijn we bereid het terug te nemen tegen de waarde van het goed voor onderdelen met een waarde van minimum 7,5 Euro. We rekenen u wel 15 % heropnamekosten aan. We aanvaarden geen terugzendingen: zonder een kopie van het faktuur, 30 dagen na de factuurdatum, van lagere, zuigers, zuigerringen, goederen per lopende meter, bekledingsonderdelen (linnen kappen, hoofdsteunen, dekzeilen, zetelovertrekken, panelen, enz.) of elk ander goed waarbij men met de plaatsing zou beginnen. Bij terugzending moeten de taksen en transportkosten voorafbetaald zijn. Anglo Parts kan u, verpakkings- of verzendingskosten van het land van ontvangst en de commissie, die we aan de kredietkaarteninstelling moesten betalen, niet vergoeden. De uitbetaling geschiedt via een waardebon.

SUPPLEMENT

Een supplement komt bovenop de prijs voor onderdelen, die op ruilbasis worden aangeboden. Dit supplement staat in de prijslijst en op onze web site naast het betrokken onderdeelnummer en zal gefactureerd worden in afwachting van de terugzending van de oude, ingeruilde eenheid. Dit supplement wordt terugbetaald wanneer we de eenheid volledig, schoon, zonder olie en twee maanden na de factuurdatum terugkrijgen. Gelieve ook een kopie van ons faktuur toe te voegen. De verzendingskosten moeten volledig door u voorafbetaald worden. Indien u ons de oude eenheid terugstuurt, vragen we u een brief te sturen met uw naam, adres, telefoonnummer, verzendingsdatum en beschrijving van de goederen, het supplement inbegrepen. Gelieve enkele kopieën te maken waarvan één exemplaar op het pak te bevestigen, één in het pak te steken en één zelf te bewaren. We hebben ze nodig bij de invoer van de goederen. Bij de aankomst van de goederen kijken we onmiddellijk de volgende punten na: - Is het stuk goed verpakt? - Werd het tijdens het transport beschadigd? - Komt de oude eenheid met het type, dat we u zonden, overeen (het juiste origineel)? - Is de eenheid volledig en zijn de essentiële onderdelen nog reviseerbaar? Gelieve geen MGA ruitenwissermotor te sturen voor ruil met een TD ruitenwissermotor of zend ons geen motor met een gebroken krukas. In dit laatste geval zullen we alleen de stukwaarde min de waarde (volgens onze beoordeling) van de krukas terugbetalen.

BACK ORDERS

De goederen, die we op het tijdstip van uw bestelling niet in voorraad hebben, houden we in "back order". We laten u dan weten wanneer we ze u opnieuw kunnen leveren. We reserveren de onderdelen voor u voor een periode van veertien dagen (vanaf het ogenblik waarop we onze brief gepost hebben). Indien u ons binnen die periode niet gekontakteerd hebt zijn deze onderdelen niet meer voor u gereserveerd. Als u bestelt, kan u altijd specificeren "geen back orders" of ons vragen alle vorige te annuleren. Als een onderdeel in "back order" niet meer kan worden geleverd, laten we u dit ook weten. Als u dan beslist dit onderdeel tweedehands te kopen, gelieve dit te vragen en we zullen al het mogelijke doen het onderdeel te vinden.



Informations importantes

Les illustrations dans ce catalogue ne sont que des représentations. Les produits fournis peuvent être différents en ce qui concerne la forme, mais la qualité et le but restent pareils.

LES POINTS IMPORTANTS

Les conditions de vente sont imprimées au verso des factures et les modifications sont mentionnées dans le catalogue le plus récent et dans la liste de prix. Si vous commandez chez nous, vous êtes d'accord avec nos conditions de vente (vous le acceptez). Vous pouvez toujours demander une nouvelle publication. L'édition complètera et remplacera toutes les précédentes. Veuillez lire les points les plus importants, mentionnés ci-dessous.

NOS VENDEURS

Nous ne sommes pas des techniciens bien expérimentés et nous ne sommes pas responsables des erreurs que nous disons ou écrivons. Nous sommes des enthousiastes et voulons vous aider. Pour une explication un peu plus technique, nous vous recommandons les livres de la liste de notre catalogue.

NOS CATALOGUES

Nous nous sommes efforcés de mettre dans notre catalogue des informations correctes. Nous ne pouvons pas être rendu (civilement) responsables d'erreurs ou d'inexactitudes concernant la spécification, l'estimation, ou les numéros de pièce. Nous avons le droit de corriger une faute.

NOS NUMEROS DE PIECE ET LES PRIX

Nous avons donné à chaque pièce (ou sets de pièces) un numéro. La quantité requise (QT) se réfère à la quantité pour un usage particulier. La quantité que vous demandez peut être différente et doit se trouver à côté de chaque numéro de pièce que vous commandez. Veuillez vous référer à nos listes de prix le plus récentes pour garantir la disponibilité. Des pièces non disponibles peuvent être fournies en occasion. Ces pièces en occasion ne se trouvent pas toujours dans nos listes. Les prix dans nos listes de prix sont des prix par pièce et s'y trouvent seulement à titre informatif. Ils peuvent varier selon l'augmentation ou la baisse des prix d'achat. Ils peuvent être mentionnés sans ou avec la T.V.A. Ceci est indiqué dans la liste de prix. Les numéros de pièce se composent de chiffres. Les trois premiers chiffres indiquent la nature de la pièce. 161 se réfère par exemple à écrous, 162 à boulons, 163 à rondelles plates. L'état de la pièce est mentionné dans la liste de prix ou peut être reconnu au numéro. Les codes suivants se trouvent dans la liste à côté du numéro de pièces qui ne sont pas livrés comme nouvelles. SH = en occasion, EX = fourni sur base d'échange et on vous comptera un supplément. NA - pas disponible en ce moment. LH - gauche ou RH - droite. Vu du point de vue du siège du conducteur. LHD - le conducteur à gauche. RHD - le conducteur à droite. A/D - comme requis. Cela signifie que la quantité requise peut être différents selon l'application. USE - le numéro de pièce a été remplacé par le numéro indiqué.

LES COMMANDES

Vous pouvez toujours commander par courrier, par téléphone, par télécopie, ou bien en magasin. Veuillez tenir compte des données suivantes si vous employez notre bon de commande:

- votre numéro de client, votre nom, votre adresse, votre numéro de téléphone travail/privé, votre numéro de fax, le numéro de T.V.A. pour les entreprises;
- spécifiez si l'adresse de livraison est différente;
- informations sur la voiture: la marque, le modèle, l'année de construction, etc.;
- utilisez autant que possible nos numéros de pièce. De cette manière, nous pouvons traiter vos commandes plus rapidement;
- donnez le nombre des pièces et décrivez les;
- indiquez le moyen de paiement: Banque, paiement à l'avance, VISA, EUROCARD, MASTER CARD. Une fois votre commande passée, nous l'introduisons dans l'ordinateur. Les étiquettes, les "picking lists" et les "checking lists" suivent automatiquement. Si vous voulez modifier une commande passée, vous risquez de confondre tout le système et, de cette manière, causer des erreurs ou des retards. C'est pourquoi nous vous demandons de **bien contrôler votre commande avant de la passer**. Cela nous aidera à livrer les pièces à temps. Nous vous remercions pour votre aide.

LES PAIEMENTS

La carte de crédit: Au moment de la publication, nous acceptons les cartes de crédits suivantes: VISA, ACCESSCARD, MASTERCARD. Veuillez mentionner le numéro de compte, l'échéance (et le code si indiqué) et le nom du titulaire de carte.

La Banque: Si les produits ont été ramassés, emballés, pesés et mesurés, on rédige la facture et nous communiquerons le montant total à payer, le numéro de la facture et nos données bancaires. Veuillez noter pour chaque paiement le numéro de client. (Le paiement doit arriver sans frais bancaires pour le bénéficiaire.)

L'EXPEDITION

National: nous livrons chez vous, et les produits, frais de transport inclus, doivent être payés COD à la livraison si vous n'utilisez pas de carte de crédit.
International: nous expédions par U.P.S. (United Parcel Services). Il faut payer d'avance les frais de transport pour les petits paquets. À la réception, vous ne payerez plus que la TAXE si vous n'habitez pas dans un pays de la CEE. Pour les paquets plus grands, nous utilisons une méthode plus rapide et moins chère. Anglo Parts emballer bien les produits et le risque d'endommager est très petit. Il faut cependant tenir compte de ce qui suit. Anglo Parts ne peut être rendue responsable produits endommagés ou perdus pendant le transport. Il faut introduire les plaintes de pertes ou dégâts dans trois jours après la réception de la commande. Il faut garder le matériel d'emballage pour vérification. Nous n'assurons pas le transport de verre et le transport se passe au risque de l'acheteur.

LA RECEPTION DES PRODUITS

Veuillez contrôler à la réception de chaque envoi si les cachets et les scathes sont cassés si le paquet n'est pas endommagé. En cas de pertes ou dégâts, vous l'inscrivez sur la connaissance en concordance avec l'état actuel et la quantité de votre envoi **avant de signer le reçu**. Gardez la copie avec la facture et introduisez immédiatement une plainte chez le transporteur. Gardez en tout cas l'emballage jusqu'à ce que les problèmes soient résolus. Chez Anglo Parts, deux personnes vérifient les produits, d'abord au ramassage et ensuite à l'emballage des produits pour éviter des erreurs. **Finalement, le client même doit vérifier et dernier lieu les produits à la réception.** Vérifiez si vous avez reçu tous les produits et si tous les produits mécaniques fonctionnent. Ne reportez pas le contrôle jusqu'au moment où vous en avez besoin, et rappez les produits dans trois jours après la réception.

LA GARANTIE

Presque toutes les pièces de voitures classiques sont fabriquées par des entreprises qui le font à un prix raisonnable. Anglo Parts essaie, autant que possible, de contrôler elle-même les produits, mais nous ne pouvons pas contrôler chaque produit. **Avant le montage, le client doit effectuer lui-même le dernier contrôle.** Il faut vérifier les produits mécaniques pour être sûr qu'ils se trouvent en bon état. La période de garantie commence à partir de la date de la facture, **et pas à partir de la date de l'installation.** La garantie de nos pièces est normale et raisonnable, mais les plaintes sont limitées à la valeur de l'élément et ne couvre en aucun cas le salaire à l'heure, le transport, les défauts d'un élément relatif, les défauts à la suite d'une mauvaise installation ou les pièces qui sont utilisées pour les "rally" ou les compétitions. En cas de plainte concernant la garantie, il faut rapporter tous les produits au magasin d'achat en tenant compte des points suivants: - la valeur doit dépasser 7,5 Euro les frais d'expédition et les taxes doivent être payés d'avance au renvoi des produits; - il faut renvoyer les produits propres et bien emballés. A partir du moment où une tierce personne a démonté les pièces, nous ne sommes plus responsables. Finalement, Anglo Parts décide elle-même s'il s'agit d'un défaut inhérent à l'unité ou bien d'un défaut dû à l'installation. Les produits endommagés par un mauvais emballage ou un transport inadéquat pendant le renvoi ne seront pas pris en considération de vérification.

LA REEXPEDITION

Si vous avez reçu une fautive pièce à la suite de votre commande incorrecte, nous sommes prêts à reprendre la pièce contre la valeur du produit, moins 15% des frais de reprise. Veuillez noter que les pièces doivent avoir une valeur de minimum 7,5 Euro. Nous n'acceptons pas de réexpédition sans une copie de la facture, trente jours après la date de la facture, des produits au mètre, des anneaux-pistons, des pièces de rechange de garniture intérieure (comme des capotes, des moquettes, des velours, des couvertures toneau) ou de toute pièce dont l'installation a déjà été commencée. A la réexpédition, tous les frais de transport et les taxes doivent être payés d'avance. Anglo Parts ne peut pas rembourser les frais d'emballage et d'expédition du pays de réception, ainsi que la provision qu'elle a dû payer aux cartes crédits. Nous vous remboursons ce montant avec un "Gift Certificate".

LE SUPPLEMENT

Un supplément s'ajoute au prix pour les pièces qui seront offertes sur bases d'échange. Ce supplément se trouve dans la liste de prix à côté de numéro de pièce y relatif et sera facturé en attente de renvoi de la vieille unité échangée. Ce supplément sera remboursé quant nous recevrons, deux mois après la date de la facture, l'unité entière, propre et sans huile. Veuillez aussi y ajouter une copie de notre facture. Il faut que vous payiez les frais d'expédition d'avance. Si vous nous renvoyez la vieille unité, nous vous demandons d'envoyer une lettre avec votre nom, votre adresse, votre numéro de téléphone, la date d'expédition et la description du produit, le supplément inclus. Veuillez faire quelques copies, dont vous en attachez une au paquet, dont vous en mettez une dans le paquet et dont vous en gardez une pour vous-même. Nous en avons besoin à l'importation des produits. A l'arrivée des produits, nous vérifions les points suivants: - la pièce, est-elle bien emballée? - A-t-elle été endommagée pendant le transport? - la vieille unité, correspond-elle au type nous vous avons envoyé (l'original)? - l'unité, est-elle complète et les pièces essentielles sont-elles encore révisables? Veuillez ne pas envoyer de moteur d'essuie-glace au lieu d'un moteur Spiiffire ou ne envoyez pas un moteur avec un arbre-coude cassé. Dans ce dernier cas, nous ne rembourserons que la valeur de la pièce moins le valeur de l'arbre-coude (selon notre estimation).

LES "BACK ORDERS"

Les produits que nous n'avons pas en stock au moment de votre commande sont gardés en "back order". Nous vous laissons savoir quand nous pouvons à nouveau vous les livrer. Nous vous réservons les pièces pendant une période de 15 jours (à partir du moment où nous avons posté notre lettre). Si vous nous contactez pas pendant cette période, les pièces ne vous sont plus réservées. Si vous commandez, vous pouvez toujours spécifier "pas de back orders", ou bien nous demander d'annuler tous les "back orders" précédents. Si nous ne pouvons plus livrer une pièce en "back order", nous vous laissons savoir. Si vous décidez d'acheter cette pièce en occasion, veuillez le demander et nous ferons notre possible pour la trouver.



INFORMAZIONI IMPORTANTI

Le condizioni di vendita sono stampate sul retro delle fatture, all'interno dei cataloghi e nei listini prezzi. Se si ordina da noi, il cliente accetta e condivide le nostre condizioni di vendita. Prima di effettuare un ordine siete pregati di leggere attentamente i punti seguenti.

I NOSTRI VENDITORI

Non sono dei tecnici perciò non sono responsabili di eventuali errori, si consiglia sempre il consulto di un meccanico esperto, se si hanno delle difficoltà, oppure consultare i libri tecnici presenti nei nostri cataloghi. I nostri venditori sono comunque entusiasti di poterla aiutare in ogni modo possibile.

I CATALOGHI

Ci impegniamo da sempre affinché le informazioni presenti all'interno dei nostri cataloghi siano il più possibile corrette; quindi, non siamo responsabili di eventuali imprecisioni o mancanze sulla descrizione, sul prezzo o sui numeri di codice dei ricambi. Per questo ci riserviamo il diritto di apportare le correzioni necessarie senza preavviso.

Le illustrazioni degli articoli sono solo indicative, perciò, possono esserci delle piccole differenze per quanto riguarda la forma, ma la qualità e l'utilizzo restano le medesime.

La quantità (QT) scritta affianco al codice articolo si riferisce alla quantità necessaria al restauro di una singola auto; tutti i prezzi si riferiscono alla quantità singola, perciò sono da moltiplicare sempre per la quantità scritta accanto all'articolo; è comunque possibile ordinare la quantità desiderata.

I ricambi che non sono disponibili, non sono presenti nei listini prezzi oppure sono marcati NA. Talvolta è comunque possibile trovarli di seconda mano. I prezzi dei nostri ricambi possono cambiare improvvisamente e senza preavviso, dipende dei prezzi di acquisto presso i nostri fornitori. I nostri listini sono I.V.A. compresa.

Normalmente tutti i codici si riferiscono all'articolo NUOVO. Talvolta sono presenti delle eccezioni, come:

SH: ricambio d'occasione/seconda mano. EX: si tratta di materiale revisionato, per il quale serve il reso del vecchio, altrimenti si deve pagare un sovrapprezzo. NA: Non disponibile.

LH: sinistro. RH: destro (visti dal punto di vista del guidatore). LHD: guida a sinistra. RHD: guida a destra.- A/R: a richiesta (la quantità può variare a seconda dell'applicazione).

USE: il numero di articolo è stato sostituito dal numero indicato.

ORDINI

Accettiamo ordini via fax, telefono, e-mail, a mezzo posta, internet oppure in negozio; nel caso utilizzate il nostro modulo d'ordine, tenete presente quanto segue:

- indicare sempre il vostro codice Cliente (solo se siete già clienti), il nome, l'indirizzo, il numero di telefono, il codice fiscale o il numero di partita I.V.A. per le Ditte;
- specificare l'indirizzo per la consegna nel caso fosse diverso da quello di fatturazione;
- completare i dati identificativi della vostra vettura: marca, tipo, anno di costruzione, ecc.
- usare soprattutto i nostri codici articolo; ciò rende più facile e sicura l'evasione del vostro ordine.
- indicare sempre la quantità a voi necessaria e scrivete la descrizione dei ricambi.
- indicare la modalità di pagamento; se prevedete l'uso di carta VISA, MASTERCARD, inserite il codice completo (16 cifre), la scadenza e il badge code. Tutti questi dati sensibili vengono inseriti nel nostro sistema computerizzato per la corretta evasione dell'ordine; modificare un ordine già inviato provoca grave disordine nei nostri sistemi causando la possibilità di sbagliare e ritardare l'evasione dell'ordine stesso. Perciò vi chiediamo di controllare bene tutti i dati prima di trasmetterli: ci aiuterà a fornirvi i ricambi nei modi e nei tempi corretti. Certi della vostra collaborazione vi ringraziamo.

PAGAMENTI

Carta di credito: al momento, accettiamo esclusivamente carta di credito del circuito VISA, MASTERCARD. Siete pregati di indicare correttamente il numero di 16 cifre, la scadenza, il badge code ed il nome del "titolare" della carta.

Bonifico Bancario: Vi invieremo, via fax o via mail, la copia della fattura, quindi provvederete a fare il bonifico immediatamente inviandoci copia dello stesso, sarà nostra premura spedire il materiale non appena arrivato il pagamento.

Contrassegno: Pagamento in CONTANTI o assegno circolare al corriere. Solo su nostra autorizzazione potete lasciare un assegno bancario.

SPEDIZIONE

Effettuiamo solo spedizioni Nazionali, utilizzando il corriere espresso. La consegna viene effettuata in 24h/48h. I costi del trasporto e dell'imballaggio vengono conteggiati in fattura, essi variano in base al volume del pacco. Il contrassegno prevede un costo aggiuntivo per i diritti d'incasso del corriere. Cerchiamo di imballare il materiale nel modo migliore al fine di evitare rotture o danni: tuttavia, nel caso dovesse succedere, Anglo Parts SRL non si ritiene responsabile di spedizioni danneggiate o perse durante il trasporto. Il cliente dovrà dare comunicazione scritta entro tre giorni dal ricevimento della merce. Nel caso di problemi, tutto il materiale di imballaggio deve essere conservato per l'eventuale verifica. Il materiale fragile (parabrezza, parti in vetro, etc) viene da noi assicurato.

RICEVIMENTO DELLA MERCE

Siete pregati di verificare, al ricevimento della merce, che i sigilli, il nastro adesivo e la confezione non siano rotti o manomessi. In caso di danneggiamento o perdita del materiale: firmate con riserva al corriere, conservate la copia del documento di trasporto/fattura, presentate immediatamente un reclamo al trasportatore e metteteci a conoscenza dell'accaduto. Conservate in ogni caso l'imballo finché i problemi non saranno stati risolti. **Verificate immediatamente se avete ricevuto tutto il materiale ordinato e se tutti i pezzi meccanici funzionano.** Non aspettate di verificare i pezzi al momento del montaggio e, in caso di difetti o errori, scrivetece entro tre giorni dal ricevimento della merce.

GARANZIA

Anglo Parts si impegna a comprare solo dai fornitori migliori, controllando nel limite del possibile tutti i ricambi, ma talvolta vi consigliamo di fare **un ultimo controllo prima del montaggio.** Soprattutto bisogna verificare che i pezzi meccanici siano in perfetto stato. Il periodo di garanzia **inizia dalla data di fatturazione** e non dalla data del montaggio. I nostri ricambi hanno una garanzia limitata al valore del pezzo, quindi eventuali reclami comportano solo la sostituzione del pezzo difettoso o la restituzione del solo valore dell'articolo. La Garanzia non copre i costi del montaggio, del trasporto, di danni conseguenti al difetto del pezzo, di un montaggio scorretto e di pezzi che vengono usati per competizioni o rally. Nel caso di reclami coperti da garanzia, i pezzi devono essere restituiti al negozio; a tal proposito tenete presente che: il valore deve essere maggiore di 7,5 Euro, tutti i pezzi devono essere rispediti puliti e ben imballati. Una volta ricevuti i pezzi Anglo Parts SRL verifica se si tratta di un difetto di fabbrica oppure se è dovuto ad un montaggio scorretto. I pezzi danneggiati dal trasporto o nell'imballo non vengono presi in considerazione.

RISPESSIONE

Accettiamo resi di materiale, solo se autorizzati, entro e non oltre 10 giorni dal ricevimento della merce. Se la restituzione è dovuta ad un errore di ordinazione da parte vostra, viene detratto dal costo dell'articolo il 15%, quale copertura di costi generali (valore minimo articolo 7,5Euro).

Non vengono accettati resi di materiale che siano stati anche parzialmente montati! I costi del trasporto e dell'imballaggio non vengono MAI restituiti.

SUPPLEMENTO

Alcuni ricambi vengono forniti rigenerati (rebuilt), in essi grava un sovrapprezzo (surcharge); questo sovrapprezzo verrà restituito solo dopo aver ricevuto il vecchio ricambio. Al ricevimento da parte nostra dei pezzi verificheremo immediatamente se è possibile riaccreditarci il sovrapprezzo da voi pagato. La spedizione del vecchio ricambio è a carico vostro.

BACKORDERS / ORDINI ARRETRATI

I prodotti che non abbiamo disponibili al momento dell'ordine, vengono messi in "backorder"; Ciò significa che non appena il ricambio sarà disponibile presso la nostra sede, provvederemo a comunicarvelo a mezzo posta. Tale ricambio viene tenuto in prenotazione per voi per una durata di 15 giorni a partire dal giorno di spedizione della lettera postale da parte nostra. **NEL CASO NON RICEVESSIMO** vostre notizie entro questo tempo, il pezzo potrà essere venduto a qualsiasi altro cliente. Se ordinate tramite modulo d'ordine o tramite internet potrete specificare se vorrete o meno ricevere gli articoli non evasi. Nel caso un pezzo in "backorder" non fosse più disponibile, vi verrà comunicato.



1. EINFÜHRUNG

Die Abbildungen in diesem Katalog oder auf unserer Webseite sind nicht exakt oder maßstabsgerecht. Die tatsächlichen Teile können geringfügig von den Abbildungen abweichen, die Qualität und die Verwendbarkeit werden jedoch nicht beeinträchtigt. Die Rover-Gruppe liefert keine Ersatzteile mehr, daher übernimmt ANGLO-PARTS diese Dienstleistung, indem weltweit Rover-Ersatzteile von ANGLO-PARTS eingeführt, neu hergestellt und ausgeliefert werden. Wir benutzen dazu Original "blue prints" und Original-Musterbauteile, um einen erschwinglichen Preis zu garantieren. Die Musterteile werden außerdem noch von anderen Originalherstellern wie z. B. Lucas, Lockheed, Armstrong, Vandervell, Glacier, Borg & Beck etc. hergestellt. Wenn Originalteile dieser Hersteller verfügbar sind, wird ANGLO-PARTS Ihnen diese Teile liefern, auch wenn sie etwas teurer sind. Wir sind der Meinung, dass Qualität und Authentizität an erster Stelle stehen sollten.

2. ALLGEMEINE GESCHÄFTSBEDINGUNGEN

Wir verkaufen und liefern ausschließlich auf der Basis unserer Allgemeinen Verkaufs- und Lieferbedingungen, die auf der Rückseite der Bestellformulare und Rechnungen abgedruckt sind. Sie finden diese Allgemeinen Geschäftsbedingungen auch in diesem Katalog. Wenn Sie bei uns bestellen, sind Sie mit unseren Verkaufsbedingungen einverstanden und akzeptieren diese. Die Firma ANGLO-PARTS behält sich vor, die Allgemeinen Geschäftsbedingungen von Zeit zu Zeit neuen Gegebenheiten anzupassen, und die jeweils letzte Fassung findet Anwendung auf die Verträge.

3. TECHNIK

Für technische Erläuterungen empfehlen wir Ihnen die Handbücher im Inhaltsverzeichnis des Kataloges. Wir übernehmen keine Gewähr für technische Informationen in unseren Katalogen, diese dienen lediglich der Darstellung unserer Waren.

4. KATALOG

Wir haben uns bemüht, unsere Kataloge so sorgfältig wie möglich zu erstellen. Wir übernehmen keine Verantwortung für Fehler oder Ungenauigkeiten im Zusammenhang mit der Spezifizierung, der Preisbestimmung oder den Ersatzteilnummern. Wir behalten uns das Recht vor, aufgetretene Fehler ohne Rechtsnachteile für uns zu verbessern. Gewährleistungsansprüche entstehen nicht, wenn der Fehler zurückzuführen ist auf Verletzung von Bedienungs-, Wartungs- und Einbauvorschriften, ungeeignete oder unsachgemäße Verwendung, fehlerhafte oder nachlässige Behandlung und natürlichen Verschleiß des Liefergegenstandes sowie Schäden aus sportlichen Einsätzen. Zugesicherte Eigenschaften müssen ausdrücklich schriftlich im Einzelnen als solche bezeichnet werden.

5. ERSATZTEILNUMMERN UND PREISE

Alle Ersatzteile oder Gruppen von Ersatzteilen haben von uns eine Ersatzteilnummer erhalten. Die Abkürzung QTY steht für die für einen bestimmten Einsatz erforderliche Menge des jeweiligen Ersatzteiles. Die von Ihnen bestellte Liefermenge kann davon abweichen und sollte deutlich neben der jeweiligen Ersatzteilnummer angegeben werden. Bitte verwenden Sie die jeweils neueste Preisliste, um die Lieferbarkeit zu gewährleisten. Ersatzteile, die nicht lieferbar sind, können wir manchmal aus zweiter Hand besorgen. Diese Gebraucht-Ersatzteile stehen nicht immer in unserer Preislisten. Die Preise in unserer Preisliste sind Stückpreise, sie können sich infolge einer Veränderung der Einkaufspreise ebenfalls ändern. Die Listenpreise beinhalten, falls nicht anders bezeichnet, die jeweilige gesetzliche Mehrwertsteuer. Die Ersatzteil-Nummern bestehen aus sechs Ziffern. Die ersten drei Ziffern geben die Art des Ersatzteils an: 161 z. B. steht für Muttern, 162 für Schrauben und 163 für Scheiben. Der Zustand des Ersatzteiles wird in der Preisliste erwähnt oder kann anhand der Nummer erkannt werden. Die folgenden Codes stehen in der Preisliste neben der Ersatzteilnummer, falls dieses Teil nicht neu geliefert werden kann: SH bedeutet aus zweiter Hand, EX wird auf Tauschbasis geliefert, und ein Mehrpreis (Surcharge/Surch) wird berechnet, NA bedeutet im Augenblick nicht erhältlich. LH bedeutet links, RH rechts - jeweils vom Fahrer aus gesehen. LHD bedeutet Fahrer auf der linken Seite und RHD Fahrer auf der rechten Seite. A/R bedeutet "wie erforderlich", das heißt, dass die erforderliche Menge nach dem Zweck unterschiedlich sein kann. Durch die Abkürzung USE wird eine neue Ersatzteilnummer bezeichnet, welche die ursprüngliche Nummer ersetzt.

6. AUFTRAGSERTEILUNG

Sie können per Fax, Brief, telefonisch oder wie gewohnt im Shop bestellen. Bei Verwendung unseres Bestellformulars möchten wir Sie bitten, dieses vollständig auszufüllen: Ihre Kundennummer, Adresse, Telefon- und Faxnummer, Umsatzsteuer-ID-Nummer (gewerblich).

- Spezifizieren Sie die Lieferadresse, falls diese von der Rechnungsanschrift abweicht.
- Geben Sie uns die vollständigen Angaben zu Ihrem Fahrzeug wie Marke, Typ, Baujahr usw.
- Benutzen Sie ausschließlich unsere Ersatzteilnummern, dadurch kann Ihre Bestellung schneller bearbeitet werden.
- Geben Sie die gewünschte Menge der Ersatzteile unter Verwendung der Beschreibung im Katalog an.
- Geben Sie die Art der Zahlungsweise an.
- Sobald wir Ihren Auftrag erhalten haben, wird dieser elektronisch weiterverarbeitet, automatisch werden dann daraus die Bestellungen, Lieferscheine und Rechnungen erstellt. Wenn Sie einen einmal gegebenen Auftrag ändern möchten, kann dies zu Fehlern oder Verspätungen führen. Deshalb möchten wir Sie bitten, den Auftrag vor Erteilung genauestens zu überprüfen. Dies hilft uns, die Ersatzteile pünktlich zu liefern. Vielen Dank für Ihr Verständnis.

7. ZAHLUNGSWEISE

Sobald die Bestellung konfektioniert, verpackt, gewogen und gemessen wurde, wird die Rechnung erstellt, und wir werden Ihnen den vollständigen Rechnungsbetrag, die Rechnungsnummer und unsere Bankverbindung mitteilen. Bitte geben Sie bei jeder Zahlung die Rechnungsnummer und Ihre Kundennummer an. Kreditkarten: Zum Zeitpunkt der Drucklegung dieser Allgemeinen Informationen akzeptieren wir folgende Kreditkarten: Visa, Eurocard, Accesscard, Mastercard. Bitte geben Sie bei Kreditkartenzahlung die Kartenummer, das Verfalldatum (und die Prüfnummer, wenn angegeben) sowie den Namen des Karteninhabers an. Eine Zahlung per Nachnahme ist nur im Inland möglich.

8. VERSENDUNG

Da der Versand unserer Waren auf Gefahr und Kosten des Bestellers erfolgt, bitten wir Sie, in der Bestellung zu spezifizieren, ob Sie die Waren abholen oder einen Dritten mit der Lieferung beauftragen. ANGLO-PARTS wird die bestellten Waren ausreichend verpacken, um das Risiko von Transportbeschädigungen zu reduzieren. ANGLO-PARTS ist nicht verantwortlich für Ware, die beim Transport verlorengegangen oder beschädigt wurde. ANGLO-PARTS übernimmt keine Haftung für den Frachtführer, der im Auftrag des Bestellers tätig wird. Wir empfehlen daher bei Erhalt der Ware: Überprüfen Sie bitte bei Lieferung der Ware, ob die Verpackung, eventuelle Siegel oder Klebestreifen aufgebrochen wurden und ob die Verpackung beschädigt ist. Für den Fall einer Beschädigung oder das Fehlen von Teilen machen Sie bitte eine entsprechende Notiz auf den Frachtbrief hinsichtlich des Zustandes und des Inhaltes Ihrer Sendung, bevor Sie den Erhalt quittieren. Behalten Sie Ihre Kopie der Rechnung und setzen Sie sich sofort mit Ihrem Frachtführer in Verbindung. Bewahren Sie die Verpackung auf, bis die Fragen geklärt wurden. Wir überprüfen zweimal die Vollständigkeit der Bestellung, das erste Mal beim Konfektionieren und das zweite Mal beim Verpacken der Waren. Daneben sind Sie allerdings verpflichtet, die letzte Kontrolle durchzuführen. Wir verweisen auf die Fristen in unseren Allgemeinen Verkaufs- und Lieferbedingungen.

9. RÜCKSENDUNGEN

Wenn Sie ein Ersatzteil erhalten, für dieses aber keine Verwendung haben und Sie diese Falschbestellung zu vertreten haben, sind wir bereit, diesen Artikel zurückzunehmen. Rücksendungen erfolgen auf Kosten und Gefahr des Bestellers. Wir werden Ihnen den Rechnungsbetrag der Waren abzüglich einer Wiedereinlagerungsgebühr von 15 % erstatten. Wir akzeptieren keine Rücksendung ohne eine Durchschrift unserer Rechnung. Nach Ablauf von mehr als 30 Tagen nach dem Rechnungsdatum akzeptieren wir keine Rücksendung. Lager, Kolben, Kolbenringe, Meterware und Verkleidungsteile (Kopfstützen, Verdecke, Verdeckabdeckungen, Sitzbezüge, Türverkleidungen) sind vom Umtausch ausgeschlossen. Dies gilt auch für Ersatzteile, mit denen ein Installationsversuch unternommen wurde. Wir erstatten keinerlei Verpackungs- und Versandkosten sowie Servicegebühren, die wir an Kreditkartenfirmen bezahlt haben. Die Rückzahlung erfolgt über einen Warengutschein in Höhe des Rückzahlungsbetrages.

10. LIEFERUNG VON ERSATZTEILEN AUF AUSTAUSCHBASIS

Für Ersatzteile, die von uns auf Austauschbasis angeboten werden, berechnen wir einen Mehrkostenpreis. Dieser Mehrkostenpreis ist in unserem Preisverzeichnis neben der betreffenden Ersatzteilnummer angegeben. Bei Bestellung eines Ersatzteiles auf Austauschbasis wird neben dem Preis für das Ersatzteil auch der Mehrkostenpreis in Rechnung gestellt. Dieser Mehrkostenpreis wird ganz oder teilweise zurückerstattet, vorausgesetzt wir erhalten vom Besteller das entsprechende Austauschteil komplett, sauber und ölfrei und innerhalb von zwei Monaten nach unserem Rechnungsdatum. Bitte senden Sie eine Kopie unserer Rechnung mit. Die Versendung des Austauschteiles erfolgt auf Gefahr und Kosten des Bestellers. Wenn Sie uns das Austauschteil aus dem Ausland schicken, sollten Sie uns einen Brief beilegen, der Ihren Namen, Anschrift, Telefonnummer und das Versendungsdatum sowie eine Beschreibung der Güter beinhaltet und den Mehrkostenbetrag. Bitte fertigen Sie von diesem Brief einige Kopien an, fügen eine dem Paket bei, kleben eine auf das Paket und behalten eine weitere für Ihre eigenen Unterlagen. Wir benötigen diese Informationen für die Einfuhrabfertigung. Bei Eingang der Ware überprüfen wir sofort die folgenden Punkte: War das Teil ausreichend verpackt oder sind Transportbeschädigungen aufgetreten? (Wenn ja, werden wir Sie sofort davon in Kenntnis setzen). Entspricht das Alteil dem von uns gelieferten Teil? Ist das Alteil vollständig, und sind die wichtigsten Ersatzteile noch wiederherstellbar? Bitte beachten Sie, dass wir im Falle der Übersendung eines Falschteiles oder eines beschädigten Teiles nur den jeweiligen Stückwert des zurückgesandten Teiles erstatten. Insoweit führen wir eine Schätzung durch.

11. NACHLIEFERUNGEN

Waren, die zum Zeitpunkt Ihres Auftrages nicht vorrätig sind, werden als Nachlieferung (Backorder) behandelt. Wir werden Sie sofort über die Verfügbarkeit der Teile informieren. Das Ersatzteil ist mit einer Frist von 14 Tagen nach Ausfertigung unserer Benachrichtigung für Sie reserviert. Sollten Sie diese Frist verstreichen lassen, verfällt die Nachlieferung. Wenn Sie keine Nachlieferung erhalten möchten, können Sie bei Auftragserteilung auch "keine Nachlieferung" vermerken. Nachlieferungen können zu jeder Zeit annulliert werden. Wenn das Ersatzteil nicht mehr lieferbar ist, werden wir Sie sofort davon in Kenntnis setzen. Sie können dann entscheiden, ob Sie das Ersatzteil aus zweiter Hand kaufen wollen. Sobald uns ein entsprechender Auftrag vorliegt, werden wir uns bemühen, dieses Ersatzteil für Sie zu besorgen.



Allgemeine Verkaufs- und Lieferbedingungen der ANGLO-PARTS Autoteile GmbH~ Wetzlar

1. Lieferungen durch uns erfolgen ausschließlich unter Zugrundelegung unserer nachfolgenden Verkaufs- und Lieferbedingungen. Bestellungen nehmen wir ausschließlich zu diesen Bedingungen an. Änderungen und Ergänzungen bedürfen der Schriftform. Andere Allgemeine Geschäftsbedingungen gelten auch dann nicht, wenn ihnen im Einzelfall nicht ausdrücklich widersprochen wurde.
2. Wird eine Bestellung schriftl., mündlich oder auf andere Weise getätigt, bleibt dem Besteller eine Frist von 7 Werktagen, um diese Bestellung zu widerrufen, sofern noch keine Lieferung erfolgt ist. Nach Ablauf der 7-Tage Frist hat Anglo-Parts das Recht 30% des Bestellwertes dem Kunden zu berechnen oder 30% vom Wert eines Vertrages zu berechnen. Der Kunde hat außerdem innerhalb einer Frist von 7 Werktagen, nach Erhalt der Ware, die Möglichkeit die erhaltene Ware an Anglo-Parts zurückzugeben (gemäß Punkt 9 "WICHTIGE AUSKÜNFTE").
 Der Versand unserer Ware erfolgt auf Gefahr und auf Kosten des Bestellers. Die tatsächliche Höhe der Transport- und Verpackungskosten können nur berechnet werden, nach der Zusammenstellung und Verpackung der Warensendung. (da Größen- und Gewichtsabhängig.)
3. Sofern der Versand nicht gegen Nachnahme erfolgt, sind Zahlungen rein netto innerhalb von 10 Tagen nach Rechnungserhalt zu leisten. Im Verzugsfall hat der Besteller Verzugszinsen in Höhe von 3 % über dem jeweils geltenden Diskontsatz der Deutschen Bundesbank zu bezahlen. Die Geltendmachung eines weiteren Verzugschadens bleibt vorbehalten.
4. Der Besteller ist - sofern er Kaufmann ist - verpflichtet, unsere Ware unmittelbar nach Erhalt auf Mängel zu untersuchen und eventuelle Mängel unverzüglich, spätestens innerhalb von 8 Tagen nach Erhalt der Ware - bei zunächst nicht erkennbaren Mängeln innerhalb von 8 Tagen nach deren Bekanntwerden - per Einschreiben bei uns geltend zu machen. Bei offensichtlichen Mängeln trifft die vorgenannte Verpflichtung auch Nichtkaufleute. Werden berechnete Mängel gerügt, sind wir lediglich zur Nachbesserung bzw. zur Ersatzlieferung verpflichtet, allerdings erst, nachdem uns die von uns gelieferte Ware zur Verfügung gestellt worden ist. Wir behalten uns die Überprüfung etwa gerügter Mängel durch den jeweiligen Hersteller vor und sind nicht zu Nachbesserungen oder Ersatzlieferungen verpflichtet, bevor dessen Prüfungsergebnis vorliegt. Nach endgültig fehlergeschlagener Nachbesserung bzw. Ersatzlieferung ist der Besteller zur Wandelung oder Minderung berechtigt. Gewährleistungsansprüche entstehen nicht, wenn der Fehler zurückzuführen ist auf Verletzung von Bedienungs-, Wartungs- und Einbauvorschriften, ungeeignete oder unsachgemäße Verwendung, fehlerhafte oder nachlässige Behandlung und natürlichen Verschleiß sowie vom Besteller oder Dritten vorgenommenen Eingriffen in den Liefergegenstand sowie Schäden aus sportlichen Einsätzen.
5. Schadenersatzansprüche des Bestellers - aus welchem Rechtsgrund auch immer - insbesondere der Ersatz für verspätete Auslieferung und mittelbare Schäden sind ausgeschlossen. Dies gilt nicht, soweit uns Vorsatz oder grobe Fahrlässigkeit zur Last fällt.
6. Wir behalten uns das Eigentum an sämtlichen von uns gelieferten Waren bis zur restlosen Bezahlung sämtlicher Forderungen aus unserer Geschäftsbeziehung mit dem Besteller vor. Veräußert der Besteller die gelieferte Ware weiter, so tritt er hiermit schon jetzt die ihm aus der Veräußerung entstehenden Forderungen gegen seinen Abnehmer in voller Höhe an uns ab. Übersteigt der Wert unserer Sicherheiten gegen den Besteller (etwaige Eigentumsvorbehalte zuzüglich etwaiger Forderungsabtretungen) unsere Forderung gegen den Besteller, so werden wir auf dessen Verlangen die Sicherheiten, die unsere Forderung übersteigen, freigeben.
7. Bei vom Besteller zu vertretender Falschbestellung ist ANGLO-PARTS bereit, unbeschädigte Artikel zurückzunehmen. Die Rücksendung erfolgt unter Beifügung einer Rechnungskopie auf Kosten und Gefahr des Bestellers. Eine Rücksendung ist nicht mehr möglich 30 Tage nach dem Rechnungsdatum. Bei Ersatzteilen mit denen ein Einbauversuch unternommen wurde, ist eine Rücksendung ebenfalls ausgeschlossen. ANGLO-PARTS erstattet den Rechnungsbetrag der zurückgesandten Ersatzteile abzüglich einer Wiedereinlagerungsgebühr von 15 % des Rechnungsbetrages.
8. Für Ersatzteile die auf Austauschbasis angeboten werden, wird der in der Preisliste neben dem Ersatzteilpreis angegebene Mehrkostenpreis berechnet. Dieser Mehrkostenpreis wird ganz oder teilweise zurückerstattet, vorausgesetzt der Besteller übersendet auf eigene Kosten und Risiko unter Beifügung einer Rechnungskopie das entsprechende alte Bauteil komplett, sauber und ölfrei innerhalb von zwei Monaten nach Rechnungsdatum. Bei Rücksendungen aus dem Ausland muß der Besteller eine Bestätigung beifügen, aus der sein Name, Anschrift das Versendungsdatum sowie eine Beschreibung der Güter hervorgeht. Bei der Rücksendung eines falschen Bauteils wird nur der jeweilige Stückwert erstattet. Insoweit führt ANGLO-PARTS eine Schätzung durch.
9. Ersatzteile die bei Erteilung des Auftrages nicht lieferbar sind, werden, wenn keine anderslautende Anweisung des Bestellers vorliegt, als Backorder behandelt. Bei Eintritt der Lieferfähigkeit wird der Besteller in Kenntnis gesetzt. Die entsprechenden Ersatzteile werden für einen Zeitraum von 14 Tagen nach Absendung der Bestätigung für den Besteller reserviert. Backorders können jederzeit vom Besteller annulliert werden.
10. Als Erfüllungsort für die Lieferung und Zahlung sowie als Gerichtsstand gilt - sofern der Besteller Kaufmann ist - Wetzlar als vereinbart. Darüberhinaus gilt ausschließlich das Recht der Bundesrepublik Deutschland. Das Übereinkommen der Vereinten Nationen vom 11.04.1980 über Verträge über den internationalen Warenkauf findet keine Anwendung.
11. Sollte eine Bestimmung dieser Bedingungen und der von uns mit dem Besteller getroffenen weiteren Vereinbarungen unwirksam sein oder werden, so wird dadurch die Gültigkeit des Vertrages im übrigen nicht berührt. Die Vertragspartner sind verpflichtet, die unwirksame Bestimmung durch eine solche zu ersetzen, mit der der wirtschaftliche Erfolg der unwirksamen Bestimmung möglichst erreicht wird. Sollten sich aus diesen Allgemeinen Verkaufs- und Lieferbedingungen und den Allgemeinen Informationen Widersprüche ergeben, genießen diese Allgemeine Verkaufs- und Lieferbedingungen Vorrang.
12. Hinweis gemäß § 33 BDSG: Name und Anschrift des Auftraggebers sowie alle für die Auftragsabwicklung erforderlichen persönlichen Daten werden ausschließlich für eigenen geschäftlichen Zwecke in automatisierten Dateien gespeichert und Dritten nicht zugänglich gemacht.

**VIKTIGT ATT VETA**

Företagets allmänna policy står skrivet på baksidan av våra fakturor och på vår hemsida. Uppdateringar finns i de senaste katalogerna, och våra senaste prislistor hittar ni på hemsidan. När du beställer varor från oss accepterar du vår policy. Var inte rädd för att fråga efter en uppdaterad publikation. Den senaste upplagan är den giltiga upplagan. Vänligen läs våra viktigaste punkter nedan.

VÅRA FÖRSÄLJARE

Vi är inte professionella biltekniker och kan inte hållas ansvariga för fel vi säger eller skriver; vi är bilentusiaster som vill vara behjälpliga. För teknisk information rekommenderar vi att du använder någon av böckerna som står med i denna katalog.

VÅR KATALOG/HEMSIDA

Vi eftersträvar att informationen i våra kataloger och på vår hemsida ska vara så korrekt som möjligt. Vi kan inte hållas ansvariga för misstag eller felaktigheter i specifikation, prislista eller artikelnummer. Vi har rätt att rätta till felaktigheter. Bilderna och fotona i vår katalog och på vår hemsida är endast exempelbilder, beställda produkter kan skilja sig utseendemässigt från bilden, men har samma funktionsduglighet och motsvarande kvalitet.

VÅRA RESERVDLSNUMMER & PRISER

Vi har egna artikelnummer till våra reservdelar, unika artikelnummer som gäller för en artikel. ÖNSKAT ANTAL ("QTY") anger antalet delar som behövs för en speciell tillämpning. Mängden du beställer kan vara en annan och ska anges när du beställer. Det är möjligt att beställa begagnade reservdelar om de inte går att få tag i nya. Det är inte alltid de begagnade reservdelarna finns med i prislistan eller på hemsidan. Vi skickar prisuppgift vid efterfrågan. Priser i prislistan och på hemsidan gäller för en artikel. Priserna kan komma att ändras utan förvarning. Du kan välja att se priserna på hemsidan med eller utan moms (21%). Prislistan som följer med katalogen kan exkludera eller inkludera moms, procentdelen står med i respektive prislista. Ett artikelnummer består av 6 tecken. De tre första tecknen anger vilken typ av reservdel som avses. Några exempel: 161 betyder mutter, 162 skruv, 163 bricka etc. Skicket på artikeln vi säljer står beskrivet på hemsidan och i prislistan. Följande koder kan stå vid artikelnumret på hemsidan eller i listan i reservdelskatalogen samt i prislistan som medföljer katalogen: SH – begagnad, EX – utbytesdel (en tilläggsavgift tillkommer och läggs till på fakturan), NA – ej tillgänglig för tillfället, LH – vänster, RH – höger (alltid från förarens sida), LHD – vänsterstyrd, RHD – högerstyrd, A/R – efter behov (betyder att antalet kan variera beroende på användningsområde) USE – artikelnumret har ersatts av annat använt artikelnummer.

BESTÄLLNINGAR

Det går bra att beställa via hemsidan, e-post, fax, telefon eller genom att besöka en av Anglo Parts filialer.

Vid order som inte görs via hemsidan ber vi dig förbereda följande, genom att använda vårt BESTÄLLNINGSFÖRMULÄR.

- Ditt KUNDNUMMER, namn, adress, telefonnummer, arbets/hem, faxnummer, momsregistreringsnummer. Ange om leveransadress skiljer sig från fakturaadress.
 - INFORMATION OM BILEN – märke, modell, årsmodell etc.
 - Ange Anglo Parts artikelnummer
 - Ange önskat antal och en beskrivning av reservdelen
 - Ange hur du kommer att betala för varorna: VISA, MASTER CARD, EURO CARD eller genom förskottsinsättning via bank
 - När en order är gjord lägger vi in uppgifterna i vårt datasystem och därefter behandlas uppgifterna. Att ändra en order som redan är under behandling kommer försena beställningen. Vi ber dig därför att kontrollera din beställning mer än en gång innan du skickar den till oss då det hjälper oss att leverera varorna i tid.
- Tack för visad förståelse.

BETALNING

BETALKORT: I skrivande stund accepterar vi följande betalkort: VISA, MASTER CARD, EURO CARD. Bifoga kortnummer (vanligtvis 16 siffror), giltighetstid och namnet på kortet.

BANK: När dina varor är hoplockade, packade och vägda skriver vi fakturan och informerar dig om total kostnad, fakturanummer och vårt bankkonto. Var snäll och ange fakturanummer och kundnummer på inbetalningen.

FRAKT

NATIONELLT: Vi levererar dörr till dörr. Varor inklusive transportkostnader måste betalas vid leverans, om inte betalkort har använts.

INTERNATIONELLT: För betalning av små paket använder vi oss av UPS förhandsbetalning. Enda kostnad som tillkommer är eventuell skatt i egna landet. Till stora och tunga paket använder vi en ekonomisk och snabb transportmetod. ANGLO PARTS paketerar varorna väl och risken för att motta skadat gods är väldigt liten, notera dock följande: Anglo Parts kan inte hållas ansvariga för gods som försunnit eller skadats under transporten. Om gods saknas eller är skadat och det ej är tillfogat under transporten/frakten ska reklamation vara inlämnad senast tre dagar efter varornas mottagits. Allt förpackningsmaterial ska behållas. Glas som fraktas går inte att försäkra och transporteras på egen risk.

LEVERANS AV GODS

Var vänlig kontrollera att inga förseglingar är brutna eller att varorna inte är skadade när ditt gods levereras. Anteckna på budets fraktsedel om något saknas eller är skadat. Skriv upp antalet och skicket på **varorna INNAN du skriver på fraktfakturan eller följesedeln**. Behåll din kopia tillsammans med fakturan och skicka din anmälan om skada till transportfirman omedelbart. Spara alltid förpackningsmaterialet tills allt är utrett. Anglo Parts kontrollerar alltid varorna både när de plockas från hyllan och när de paketeras, men en sista kontroll måste alltid genomföras av kunden själv vid leverans. **Kontrollera att reservdelarna stämmer överens med det du beställt och att mekaniska delar fungerar.** Vänta inte med att kontrollera varorna tills du behöver dem utan rapportera eventuella fel senast tre dagar efter leverans.

GARANTI

Nästan alla reservdelar som görs till klassiska bilar tillverkas av företag som är villiga att tillverka i mindre antal för ett rimligt pris. På Anglo Parts kontrollerar och godkänner vi varorna, men vi kan inte inspektera varje individuell artikel. **Det är kundens ansvar att göra en slutgiltig inspektion av reservdelen innan den monteras.** Det är extra viktigt att kontrollera att mekaniska delar fungerar som de ska. Garantin gäller från det datum fakturan skrevs ut, **inte från det datum reservdelen monteras.** Våra reservdelar har normala och skäliga garantitider, men en fordran är begränsad till komponentens/varans/reservdelens värde och täcker inte arbetskostnader, transportkostnader, fel på beställda reservdelar, fel som orsakats av felaktig installation eller delar som används till rally eller annan tävling. Varan som fordran gäller måste lämnas tillbaka till butiken du köpte den från enligt följande procedur: Värdet måste överstiga 7,5 Euro, varorna måste skickas tillbaka och skatt samt transportkostnad ska vara betald, delarna måste returneras rena och väl paketerade; så fort du eller tredje part har nermonterat reservdelen fräntas Anglo Parts ansvar. Anglo Parts beslutar om varan var defekt från början eller om det beror på felaktig montering och hantering. Vi gör en utredning när varan skickats tillbaka till oss i oskadat skick. Varan ska inte skadas vid returen pga. dålig paketering eller transport. Garantin för renoverade reservdelar är begränsad till sex månader, fyra månader för renoverade stötdämpare, för de flesta andra reservdelar gäller garantin i ett år från det datum fakturan skrevs ut och gäller då defekter i material och produktion/utförande av producenten eller av Anglo Parts N.V.

RETURER/REKLAMATIONER

Om du beställt fel vara av misstag kan vi återköpa varan för varans värde minus 15% för att återinföra den i våra hyllor. Vi accepterar inga returer utan en faktura och senast 30 dagar efter det att fakturan skrevs ut; gäller: bärlager, kolvringar, detaljer på metervara, inredning (sufflett, sittbrunnsskapell, stolsklädsel, paneler etc.) böcker eller delar där montering har påbörjats. Varorna måste returneras med betald transport och skatt. Anglo Parts kan ej återbetala skatt som betalats i mottagande land, transport- och paketeringskostnad eller avgift för bankkostnad för betalkort. Du kan använda summan på tillgodokvitett till att betala en framtida order för motsvarande summa. Vi ger ej pengarna tillbaka för ett tillgodokvitett.

TILLÄGGSavgift/Stomavgift

Stomavgift tillkommer på priset för varor som erbjuds som utbytesdetaljer. Stomavgiften syns i katalogens prislista på hemsidan vid respektive artikelnummer och faktureras i väntan på den gamla reservdelen som skickas in som inbyte. Stomavgiften betalas tillbaka när vi fått inbytesdelen, förutsatt att varan är komplett, ren, tömd på olja och skickad till oss inom en tidsperiod av två månader efter det att vi skickat ut fakturan. Var vänlig bifoga en kopia på fakturan. Alla inbytesdelar måste skickas till oss med betald frakt. När du exporterar den gamla varan till oss måste ett brev med följande uppgifter skickas till oss: ditt namn, adress, telefonnummer, datum varorna skickades, en beskrivning av varorna du skickar samt stomavgiften. Ta kopior och sätt en på paketet, lägg en inuti paketet och behåll en kopia själv. Vi behöver ovanstående information för att kunna importera varorna.

När inbytesdelen levererats till oss kontrollerar vi omedelbart: att varan är väl paketerad och att inga skador tillkommit under transporten, om den gamla reservdelen motsvarar den vara vi skickat till dig (original), om varan är komplett och om det går att bygga om/rekonditionera väsentliga delar. Vi ber dig att inte skicka en torkarmotor från en MGA som utbytte mot en torkarmotor till en TD. Skicka inte en strömfördelare utan vakuumenthet. I det senare exemplet kommer vi ta en ersättning ur stomavgiften för strömfördelaren minus värdet för vakuumentheten.

RESTORDRAR

Varor som inte finns på lager när du lägger din beställning överförs till en restorder. Vi informerar dig när varorna finns tillgängliga igen och reserverar dem åt dig under fjorton dagar, räknat från den dag du informerades om att varorna kommit in. Om du inte kontaktar oss under denna period överförs varorna till vårt lager och kan beställas av andra kunder. När du beställer kan du även välja "Inga restordrar" eller be om att annullera alla tidigare restordrar. När en vara som ligger som restorder tas ur sortimentet informerar vi dig även om detta. Om du då vill ha ett begagnat exemplar av varan meddelar du oss detta, så gör vi vårt bästa för att få fram ett sådant.



PUNTOS IMPORTANTES

Las políticas de nuestra empresa se encuentran en el reverso de nuestras facturas y en la web. Las actualizaciones están impresas en nuestros catálogos más recientes, en las listas de precios y en la web. Cuando nos realiza un pedido usted está aceptando dichas políticas. Uste siempre es libre de consultarnos sobre la publicación de alguna actualización. Las más recientes prevalecerán sobre todas las anteriores. Por favor lea abajo los puntos más importantes.

NUESTROS VENDEDORES

No somos técnicos cualificados sobre automóviles y no podemos hacernos responsables de errores dichos o escritos, somos entusiastas a los que les gusta ayudar. Para información técnica, les recomendamos que utilicen los libros listados en los catálogos.

NUESTROS CATÁLOGOS/WEB

Hemos realizado todos los esfuerzos para asegurar que la información introducida en nuestros catálogos y nuestra web, es correcta. No podemos hacernos responsables si algún error o inexactitud existe en la especificación, la fijación de precios o el número de referencia. Tenemos el derecho de corregir cualquier error. Las ilustraciones y fotos en nuestros catálogos y en nuestra web solo son representaciones, los productos pueden variar de las fotos y las ilustraciones, pero la función es la misma con una calidad similar.

NUESTRAS REFERENCIAS Y PRECIOS

Todos los recambios (o kits de recambios) tienen nuestra propia referencia y se refieren a un solo punto. LA CANTIDAD REQUERIDA ("QTY") corresponde a la cantidad utilizada para la aplicación en particular. La cantidad que usted pida puede ser diferente y pudo ser marcada cuando usted la solicitó. No hay recambios nuevos disponibles, podría estar disponible de segunda mano. Estos recambios de segunda mano no siempre están listados en la web o en nuestra lista de precios. La información le será enviada cuando la solicite. Los precios listados en la web o en la lista de precios son para un solo punto y podrán ser variados sin previo aviso. Los precios en la web los podrá ver con o sin IVA, dependiendo de lo que elija. Las listas de precios enviadas con los catálogos pueden incluir, o no, el IVA, el porcentaje se indica en cada lista de precios. Las referencias se componen de seis caracteres. Los tres primeros caracteres indican la naturaleza del recambio. Por ejemplo 161 hace referencia a los piñones, 162 para tornillos, 163 para arandelas, etc. La condición de los recambios que vendemos está especificada en la web y en la lista de precios. La totalidad de los códigos aparece en la web, en el listado de catálogo de recambios y en la lista de precios suministrada con los catálogos, al lado de el número, para los recambios que son...SH – Second Hand (Segunda Mano), EX - suministrados sobre una base de intercambio, y una sobretasa será facturada, NA – Actualmente no disponible, LH – Left Hand (mano izquierda) o RH – Right Hand (mano derecha). Siempre visto desde el asiento del conductor. LHD – Left Hand Drive (Unidad Izquierda), RHD – Right Hand Drive (Unidad derecha), A/R – As Requested (como lo solicitó), quiere decir que la cantidad solicitada puede variar de una aplicación a otra. USE – La referencia se reemplazó por otra indicada.

PEDIDOS

Recibimos los pedidos a través de la web, e-mail, fax, carta, teléfono o visitando una sucursal de Anglo Parts. Para los pedidos que no sean a través de la web, les agradeceremos los preparen utilizando los formularios.

- Su NÚMERO DE CLIENTE. Nombre, dirección, número de teléfono casa/trabajo, número de fax, codice fiscale (para clientes italianos) o número de IVA para compañías europeas. –Especificar si la dirección de entrega es diferente.
- INFORMACIÓN DEL TIPO DE COCHE, marca, modelo, año de fabricación, etc.
- Solo denos la referencia de Anglo Parts
- Indique la cantidad deseada y la descripción del recambio.
- Indique el método de pago: VISA, MASTER CARD, EURO CARD, o pago por ingreso en cuenta.
- Una vez realizado el pedido, ponemos el mismo en el sistema informático y procesamos labels, listas y listas de control. Cambiar un pedido realizado, esto causa retrasos en el sistema, **le agradeceremos que revise su pedido antes de enviarlo.** Esto no ayudará a entregar sus recambios a tiempo. Gracias por su comprensión.

PAGOS

TARJETAS DE CRÉDITO: En este momento aceptamos las siguientes tarjetas de crédito: VISA, MASTER CARD, EURO CARD. Por favor especifique el número de tarjeta de crédito (máximo 16 cifras), fecha de caducidad y nombre, tal como aparece en la tarjeta.

BANCO: Cuando su mercancía esté recogida, empaquetada en cajas, pesada y medida, se hará la factura y le informaremos del total a pagar, el número de factura (no por la web) y los datos de nuestro banco. Por favor indique el número de factura y el número de cliente con cualquier pago que haga.

ENVÍO

NACIONAL: Entregamos de puerta a puerta y la mercancía, incluyendo el transporte, se pagarán en el momento de la entrega. C.O.D: si no se utilizó una tarjeta de crédito

INTERNACIONAL: Enviamos por UPS prepagado, en paquetes pequeños. El único coste que debe ser pagado a la recepción pueden ser sus impuestos locales. Para paquetes más grandes utilizamos otro tipo de transporte más rápido y sencillo. Anglo Parts empaqueta sus cajas perfectamente, con lo que la posibilidad de que el material sufra daños es muy pequeña, aún así estas deben ser notificadas. Anglo Parts no se puede hacer responsable de los materiales que se pierdan o se dañen durante el transporte. Por faltas o daños realizados por el transporte, las reclamaciones deben notificarse como máximo tres días después de la recepción del pedido. Todos los materiales del embalaje deben mantenerse. El transporte de cristales no es asegurable y será enviado por su cuenta y riesgo.

RECIBIENDO SUS MATERIALES

Para todos los envíos, a la llegada, por favor compruebe que ningún sello o cinta esté rota y que el paquete no esté dañado. En caso de algún daño o falta, escriba esto en la hoja del repartidor de acuerdo con la situación actual y la cantidad contenida **antes de firmar el transporte o la factura.** Haga una copia, adjúntela a la factura y realice, inmediatamente, una reclamación a la compañía transportista. En cualquier caso, guarde el material del embalaje hasta que todo se resuelva. Anglo Parts chequea las mercancías cuando se recogen desde el stock y otra vez cuando se empaqueta, **pero la última revisión la debe hacer el mismo cliente cuando las recibe.** Asegúrese de que los recambios recibidos coinciden con los que solicitó y de que funcionan correctamente. No espere a hacer el control de las mercancías hasta que las necesite e infórmenos de los problemas antes de tres días desde la recepción.

GARANTÍA

Casi todos los recambios para la industria de coches clásicos se realizan en pequeñas cantidades por compañías que están dispuestas a hacerlos por un precio aceptable. En Anglo Parts revisamos dichos recambios para su aprobación, pero no somos capaces de revisar cada una de ellas. **Es responsabilidad del cliente realizar una revisión final del recambio antes de su colocación.** Especialmente se deben revisar los recambios mecánicos para asegurarse de que funcionan perfectamente. El periodo de garantía empieza desde la fecha de factura, **no desde la de instalación.** Nuestros recambios tienen, normal y razonablemente, garantía, pero las reclamaciones por garantía se efectúan dependiendo del valor de los componentes y no cubrirán el trabajo, transporte, fallos del componente, fallos producidos por la instalación defectuosa o recambios utilizados para ralis o competiciones. Todos los productos para la reclamación de garantía, deben ser devueltos a la tienda donde los compró mediante los siguientes procedimientos: el valor debe ser superior a 7,5 euros; el material debe ser enviado con las tasas y los portes pagados; todos los materiales deben ser devueltos limpios y bien empaquetados. Una vez usted, o terceras personas, hayan desempaquetado el recambio, nuestra responsabilidad termina!

Anglo Parts tomará la decisión final de si el recambio es defectuoso o se ha dañado durante la instalación. Investigaremos este suceso una vez hayamos recibido de vuelta el material sin daños. Durante la devolución estos materiales no pueden ser dañados debido al transporte o un mal embalaje. El periodo de garantía para recambios reacondicionados es de 6 meses y de 4 para amortiguadores reconstruidos, las demás piezas están garantizadas contra defectos en el material y la mano de obra del fabricante original o por Anglo Parts NV por un periodo de un año a partir de la fecha de factura.

DEVOLUCIONES

Si usted recibió una pieza equivocada, y el fallo es suyo, nosotros estamos dispuestos a reponerla y reembolsaremos el precio del material menos el 15% de recargo por reposición. No se aceptará ninguna devolución sin su copia de la factura, pasados 30 días de la fecha de factura, cojinetes, pistones, aros de pistón, mercancías por metro, partes recortables (capuchas, tapas blandas, cubre tonel, kits de asiento, paneles, etc.) libros o cualquier pieza donde se intentara su instalación. Los materiales deben ser enviados con las tasas y los portes pagados. Anglo Parts no es capaz de devolver las tasas pagadas en el país de llegada, los cargos por transportes o empaquetado ni las comisiones que tuvo que pagar a la compañía de la tarjeta de crédito. Usted puede utilizar el importe de esta factura para un futuro pedido del mismo importe. No devolvemos el importe de los créditos.

SOBRECARGO – CORE DEPÓSITOS

Un sobrecargo se añadirá en el precio para piezas ofrecidas sobre bases de intercambio. El precio del sobrecargo lo podrá ver en la web en el listado de catálogos de recambios y está listado en nuestra lista de precios al lado de la referencia relacionada y será facturado en espera del retorno de la unidad reciclable antigua. Este sobrecargo se reembolsará en su totalidad siempre que recibamos la unidad completa, limpia, sin aceite y devuelta después de dos meses de nuestra fecha de factura. Todas las devoluciones se realizarán con los cargos por transporte pagados. Si usted nos exporta la antigua unidad, nos debe enviar una carta con su nombre, dirección, teléfono, fecha de envío y una descripción del material que nos está devolviendo, incluyendo el importe del sobrecargo. Por favor haga algunas copias y adjunte una en el paquete, una en el embalaje y guarde una para usted. Necesitaremos esta información para exportar el material. En cuanto llegue revisaremos, inmediatamente, los siguientes puntos: que el embalaje sea correcto y no haya sufrido ningún daño durante el transporte, que la unidad antigua es similar al tipo de la que nosotros le enviamos (correcto original), que la unidad esté completa y estén las partes esenciales para su reconstrucción. Por favor, no nos envíe un motor de limpiaparabrisas de MGA para cambiar con un de TD, no nos mande una distribución sin el sistema de avanzado. En este último la muestra le devolveremos el recargo por el distribuidor menos el valor (en nuestra opinión) del sistema de avanzado.

BACKORDERS

LOS Materiales que no estén en stock cuando realice su pedido se guardarán como back orders. Nosotros le informaremos cuando estos materiales estén disponibles de nuevo y se los reservaremos por un periodo de catorce días a contar desde el momento en el que le informamos. Si usted no se pone en contacto con nosotros durante ese periodo de tiempo, pondremos el recambio en nuestro stock para que pueda ser vendido a otros clientes. Al realizar un pedido usted también puede especificar que no quiere Back Orders o solicitar la cancelación de los Back Orders anteriores. Cuando un recambio que usted tiene en back order pasa a ser obsoleto, se lo haremos saber. Si usted decide coger esta pieza en condición de usada, pregúntenos y haremos todo lo posible para obtenerla.



Důležité informace

DŮLEŽITÉ BODY

Všeobecné podmínky naší firmy jsou vtištěny na zadní straně našich faktur a jsou k dispozici na našich webových stránkách. Aktualizace jsou vtištěny v posledních verzích katalogů a ceníků. Jsou obnovovány i na webových stránkách. V případě, že si u nás objednáte zboží, znamená to, že souhlasíte s našimi podmínkami. Poslední aktualizace jsou nadřazeny všem ostatním. Prosím, přečtěte si níže uvedené důležité body.

NAŠI PRODEJCI

Nejsme vyučení automechanici a nemůžeme být zodpovědní za chyby, které řekneme nebo napíšeme, jsme nadšenci, kteří chtějí pomoci. Pro technické informace doporučujeme využít knihy vyobrazené v našem katalogu.

NAŠE KATALOGY/ WEBOVÉ STRÁNKY

Snažíme se vynaložit maximální úsilí, aby informace v našich katalogích a na webových stránkách byly správné. Nemůžeme nést odpovědnost v případě, že se objeví ve specifikaci, ceně nebo katalogovém čísle chyba. Máme právo opravit jakoukoliv chybu. Ilustrace a fotky v našich katalogích a na našich webových stránkách jsou pouze ilustrativní, dodávané produkty se mohou lišit od ilustrací a fotek, ale budou fungovat stejným způsobem a budou v podobné kvalitě.

NAŠE KATALOGOVÁ ČÍSLA & CENY

Naše díly (nebo sety dílů) mají vlastní katalogové číslo, které náleží pouze jedné položce. POŽADOVANÉ MNOŽSTVÍ (QTY) uvádí množství potřebné pro danou aplikaci. Množství, které chcete objednat se může lišit a mělo by být uvedeno při Vaší objednávce. Díly, které nejsou dostupné jako nové, mohou být dostupné pouze použité a zrenovované. Tyto second hand díly nejsou vždy uváděny na našich webových stránkách a v cenících. Informace Vám budou zaslány na základě Vašeho požadavku. Ceny na webových stránkách a v cenících jsou uváděny za jeden kus a jsou pouze informativní. Mohou být kdykoliv bez oznámení změněny. Ceny na webových stránkách jsou k vidění jak bez, tak i včetně DPH. (21% - belgická sazba DPH). Ceník dodávaný s katalogy může obsahovat ceny jak s DPH, tak i bez DPH. Lokální sazba DPH je vždy uvedena v každém katalogu. Katalogová čísla se skládají ze 6 číslic. První tři číslice uvádí druh dílu. Např. 161 signalizuje matky, 162 šrouby, 163 podložky atd. Stav dílu, které prodáváme je indikován na webových stránkách a v cenících. Následující kódy se objevují na webových stránkách a v cenících vedle katalogového čísla. Pro díly ... SH - second hand díl, EX - díl dodán na základě výměny a SURCHARGE (příplatek) bude fakturována. NA - díl je nedostupný, LH - levá strana, RH - pravá strana. Vždy bráno z pohledu řidičova sedadla. LHD - levostranné, RHD - pravostranné, A/R - dle požadavku, znamená, že požadované množství se může lišit dle požadavku. USE - katalogové číslo bylo nahrazeno jiným katalogovým číslem.

OBJEDNÁVKY

Objednávky jsou vítány přes webové stránky, e-mail, fax, dopis, telefon nebo při návštěvě pobočky společnosti Anglo-Parts.

Pokud neobjednáte přes webové stránky, prosíme abyste si připravili následující informace na našem OBJEDNACÍM FORMULÁŘI.

- Vaše ZÁKAZNICKÉ ČÍSLO, jméno, adresu, tel. číslo, event. fax. číslo, event. DIČ. Prosím uveďte jinou adresu pokud se liší od fakturační adresy.
- INFORMACE O VOZE, značka, model, rok výroby atd.
- Uveďte katalogové číslo společnosti Anglo Parts
- Uveďte potřebné množství a popis dílu
- Uveďte metodu platby: VISA, MASTER CARD, EURO CARD nebo platbu předem bankovním převodem.
- Je-li jedinou objednávkou potvrzena, zadáváme ji ihned do počítače a připravujeme faktury atd. V případě, že chcete opravit objednávku, musíme ji opravit v celém systému a to způsobuje časová zpoždění. Proto Vás žádáme, abyste si raději překontrolovali Vaši objednávku než ji odešlete. Tak nám pomůžete dodat díly včas. Děkujeme za pochopení.

PLATBA

KREDITNÍ KARTY: v současné době akceptujeme tyto karty: VISA, MASTER CARD, EURO CARD. Prosím, zadejte 16-ti místné číslo Vaší karty, datum expirace a jméno uvedené na platební kartě.

BANKA: Poté co bude zboží zabaleno do krabic, zváženo a změřeno, připravíme fakturu a informujeme Vás a o celkové částce, čísle faktury a naše bankovní spojení.

POŠTOVNÉ

Národní: Dodáváme naše zboží až k Vaším dveřím. Většinou formou dobírky.

Mezinárodní: Používáme UPS pro malé balíky. Cena dopravného je vždy uvedena na faktuře. Jediné, co budete muset uhradit při dodání dílu je clo (v případě, že se nacházíte mimo prostor Evropské Unie) Pro rozměrné nebo velké balíky využíváme ekonomické metody. Anglo Parts balí své zboží velmi důkladně, aby riziko poškození dílu bylo co nejmenší. Anglo Parts nenesou odpovědnost v případě, že se zboží poškodí nebo ztratí v průběhu dopravy. V případě, že na vině není dopravce, námitka musí být vznesena během 3 dnů od dne obdržení zboží. Všechny obaly zboží musí zůstat neporušené. Doprava skel není pojistitelná a toto zboží bude dopravováno na vlastní nebezpečí.

OBDRŽENÍ ZBOŽÍ

Při převzetí zboží zkontrolujte, zda žádné pásky nejsou porušeny a zda balík není poškozen. V případě poškození napište tento poznatek do poznámek dopravce **před tím než balík převezmete.** Nechte si kopii tohoto zápisu spolu s fakturou a ihned vznesete požadavek na dopravní společnost. Zskovte si balicí materiál jako důkaz dokud nebude vše vyřešeno. Anglo Parts kontroluje zboží při vyjmutí ze skladu a dále pak při balení. **Finální kontrolu musí ale provést zákazník.** Zkontrolujte, prosím, zda díly souhlasí s díly, které jste si objednali. Nečekejte do té doby než budete díl potřebovat, ale ozkoušejte ho ihned a v případě problému vznesete námitku do 3 dnů.

ZÁRUKA

Skoro většina dílů pro historická vozidla jsou vyráběny v malých objemech společností, které jsou ochotny tento díl vyrábět a prodávat za přijatelnou cenu. My v Anglo Parts kontrolujeme kvalitu zboží, ale nejsme schopni kontrolovat jednotlivé kusy. **Je odpovědností každého zákazníka provést finální kontrolu dílů před instalací.** Záruka začíná dnem vystavení faktury, **ne dnem instalace.** Na naše díly se vztahuje běžná záruka a námitky se vztahují pouze do výše daného komponentu. V žádném případě se nevztahuje na práci, dopravu, selhání dalších komponentů, selhání z důvodů špatné instalace a dále se nevztahuje na díly, které byly použity pro závody. Všechny reklamované díly musí být doručeny zpět do obchodu, ve kterém jste je pořídili. Cena dílu musí být větší než 7,5 euro, díly musí být zaslány zpět včetně zaplacení dopravy a event. cla. Všechny díly musí být zaslány očištěné a dobře zabalené, v případě, že Vy nebo třetí osoba díl rozebrala, záruka na díl již nepřetrvává. Anglo Parts udělá finální rozhodnutí, zda byl díl přirozeně vadný nebo zda byl poškozen během instalace. Během navrácení dílů by neměly být díly poškozeny špatným balením. Záruka na zrenovované díly je omezena 6 měsíci a 4 měsíci na zrenovované tlumiče. Ostatní díly jsou v záruce proti defektu na materiálu či dílenském zpracování výrobcem nebo Anglo Parts nv v délce trvání jednoho roku, začínající dnem fakturace.

VRATKA

V případě, že obdržíte nesprávný díl a chyba je na Vaší straně, jsme ochotni přijmout zboží zpět na sklad s 15% poplatkem. Žádné vratky nebudou provedeny bez Vaší faktury nebo její kopie.

Nebudou akceptovány vratky na ložiska, písty, pístní kroužky, zboží prodávané na metry, čalounické zboží (střechy, krycí plachty, kity sedadel atd) Zboží musí být vráceno se zaplacenými náklady na dopravu a clo. Anglo Parts není schopná platit clo v zemi příjemce, náklady na dopravu, balné a komisionní poplatky, které musí odvádět poskytovateli terminálu platebních karet.

PŘÍPLATEK

Přirážka bude přidána k ceně dílů nabízených na základě výměnné báze. Výše příplatku je k vidění na webových stránkách nebo v cenících a bude fakturována až do doby návratu starého opravitelného dílu. Tato přirážka bude vrácena v případě, že díl bude kompletní, čistý, zbarvený oleje a vrácen do dvou měsíců od data fakturace. Prosíme také o poskytnutí fotokopie Vaší faktury. Všechny vratky musí být poslány zpět k nám s předplaceným poštovním. V případě, že nám zasíláte svůj starý díl, měl by být přiložen dopis s Vaším jménem, adresou, datem zaslání, tel. číslem, popisem zboží a výší vratky. Prosíme o více kopií, jednu vložte do balíku, jednu nalepte na balík a jednu si nechte pro sebe. Budeme tyto informace potřebovat. Ihned po obdržení Vašeho balíku zkontrolujeme stav balení, zda nedošlo k poškození během transportu, zda je díl kompletní a zda je díl opravitelný. Prosím, nezasílejte nám motorek stěračů na MGA na výměnu za MGTD atd. V tomto případě bude vrátka snížena oproti původní výši.

ZPĚTNÁ ZÁVAZNÁ OBJEDNÁVKA

Zboží, které není skladem v čas Vaší objednávky bude vedena jako zpětná závazná objednávka (backorder). Budeme Vás informovat o tom, kdy dané zboží bude opět dostupné a dané díly pro Vás budou rezervovány po dobu 14 dnů ode dne, kdy budete informováni. V případě, že nás nebudete kontaktovat během této periody, zařadíme tento díl (tyto díly) zpět do skladu pro ostatní zákazníky. Při objednávkách dle můžete specifikovat „Žádné zpětné objednávky“ nebo nás můžete požádat abychom ukončili všechny Vaše zpětné závazné objednávky. Když se Vámi objednaný díl stane úplně nedostupným, budeme Vás informovat. V případě, že se rozhodnete pro použitý díl, prosím, informujte nás a my se ho pokusíme pro Vás sehnat.



ANGLO PARTS FAX ORDERFORM

Client n° : <input type="text"/>	Date : <input type="text"/>
Name : <input type="text"/>	Shipping address if different : <input type="text"/>
Address : <input type="text"/>	<input type="text"/>
<input type="text"/>	<input type="text"/>
Country : <input type="text"/>	Country : <input type="text"/>
Tel/Fax : <input type="text"/>	Model : <input type="text"/> Year : <input type="text"/>
E-mail : <input type="text"/>	Chassis n° : <input type="text"/>
	Engine n° : <input type="text"/>

	Quantity	Part n°	Page n°	Illustr. n°	Description
1					
2					
3					
4					
5					
6					
7					
8					
9					
10					
11					
12					
13					
14					
15					
16					
17					
18					
19					
20					

To be shipped Will be collected Backorders, parts not in stock or available at this moment/ required or not

Payment : Visa Euro-card - Master card - Access

Card n° : • • •

Exp. date : • badge code : Signature : _____

Fax numbers

BELGIUM Fax +32 15 42 34 45 • **HOLLAND, VEENENDAAL** Fax +31 318-551395
ITALY Fax +39 0422 321 470 • **GERMANY** Fax +49 6441 781336 • **FRANCE** Fax +33 328 26 83 73
HOLLAND, GRUBBENVORST Fax +31 77-3663411 • **SPAIN** Fax +34 93 225 27 9
LUXEMBOURG Fax +352 518151-820 • **HUNGARY** Fax +36 1-297-3913
POLAND Fax +48 22.857.90.26 • **SWEDEN** Fax: +46-46-70 98 32



Quality Parts & Service



ANGLO PARTS FAX ORDERFORM

Client n° : []

Date : []

Name : []

Shipping address if different : []

Address : []

[] []

Country : []

Country : []

Tel/Fax : []

Model : []

E-mail : []

Year : []

Chassis n° : []

Engine n° : []

	Quantity	Part n°	Page n°	Illustr. n°	Description
1					
2					
3					
4					
5					
6					
7					
8					
9					
10					
11					
12					
13					
14					
15					
16					
17					
18					
19					
20					

To be shipped Will be collected Backorders, parts not in stock or available at this moment/ required or not

Payment : Visa Euro-card - Master card - Access

Card n° : []

Exp. date : [] badge code : [] [] [] [] Signature : _____

Fax numbers

BELGIUM Fax +32 15 42 34 45 • **HOLLAND, VEENENDAAL** Fax +31 318-551395
ITALY Fax +39 0422 321 470 • **GERMANY** Fax +49 6441 781336 • **FRANCE** Fax +33 328 26 83 73
HOLLAND, GRUBBENVORST Fax +31 77-3663411 • **SPAIN** Fax +34 93 225 27 9
LUXEMBOURG Fax +352 518151-820 • **HUNGARY** Fax +36 1-297-3913
POLAND Fax +48 22.857.90.26 • **SWEDEN** Fax: +46-46-70 98 32



Quality Parts & Service

DOWNLOAD OUR OTHER ANGLO PARTS & ACCESSORIES CATALOGUES FOR FREE!

download the pdf versions of our catalogues for free at www.angloparts.com or buy them for 10 euros per item.



MGTC
part n° 190.275



MGTD-TF
part n° 190.067



MGA
part n° 190.001



MGB
part n° 190.002



MGC
part n° 190.158



MGF-TF 1996-2005
part n° 190.519



Sprite-Midget 1958-'64
part n° 190.504



Sprite-Midget 1965-'80
part n° 190.518



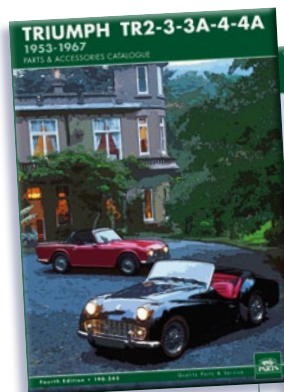
A.H. 100/4-3000
part n° 190.509



Mini 1969-2000
part n° 190.720



Land Rover Defender 90-110 1984-2006
part n° 190.779



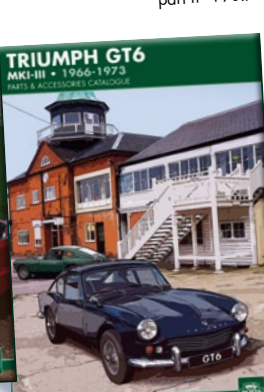
Triumph TR2-4A
part n° 190.243



Triumph TR5-250-6
part n° 190.273



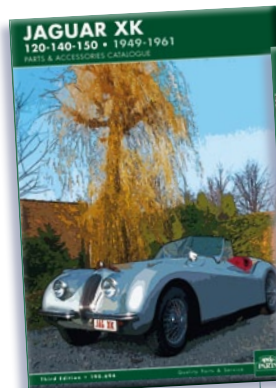
Triumph Spitfire
part n° 190.133



Triumph GT6
part n° 190.863



Morris Minor
part n° 190.718



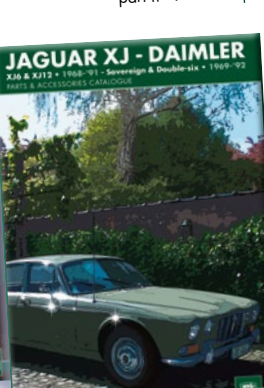
Jaguar XK120-150
part n° 190.694



Jaguar MKII-Daimler V8
part n° 190.721



Jaguar E-type
part n° 190.695



Jaguar XJ, Series I, II, III
part n° 190.780



British Parts, Tools & Accessories
part n° 190.058

JAGUAR XJ - DAIMLER

XJ6 & XJ12 • 1968-'91 - Sovereign & Double-six • 1969-'92
PARTS & ACCESSORIES CATALOGUE

www.angloparts.com

please visit our website for all contact information

Anglo Parts Shops

**MAIN BRANCH BELGIUM
HOLLAND • ITALY • GERMANY**

Authorized Anglo Parts Dealers

**FRANCE • HOLLAND • SPAIN
SWEDEN • FINLAND
CZECH REPUBLIC • SLOVAKIA
LUXEMBOURG • POLAND • HUNGARY**

